

# TB-WALL 10K Ohm NTC Type II Wall Temperature Sensors

## INSTALLATION INSTRUCTIONS

### PRODUCT OVERVIEW



Honeywell 10K ohm NTC Type II remote wall sensors are for use with the TB7200, TB7300, and TB7600 Series communicating thermostats and other devices requiring a 10K ohm NTC Type II sensor. These robust sensors provide accurate and stable temperature readings using a 10K ohm NTC thermistor element.

These wall sensors can also be used for temperature averaging applications. Two or three TB wall sensors can be used and are quickly configured with the onboard dip switches. Temperature averaging with the usual 4, 9, 16, 25, etc. sensors can also be done with the TB wall sensors. See table below for specific model numbers:

Table 1. TB Sensor Models.

Model	Description	Application
TB-WALL-1014	Room sensor	<ul style="list-style-type: none"> <li>Remote room sensing</li> <li>3 thermistors with 2 dip switches are provided with each sensor for various averaging combinations</li> </ul>
TB-WALLOVR-1014	Room sensor with temporary override key and occupancy LED	<ul style="list-style-type: none"> <li>Remote room sensing with override key and occupancy LED</li> <li>3 thermistors with 2 dip switches are provided with each sensor for various averaging combinations</li> </ul>

### Contents

Product Overview .....	1
Wall Sensor Installation .....	2
Sensor Wiring .....	2



# WALL SENSOR INSTALLATION

## Location

- Should not be installed on an outside wall.
- Must be installed away from any heat source.
- Should not be installed near an air discharge grill.
- Should not be affected by direct sun radiation.
- Nothing must restrain vertical air circulation to the sensor.

## To install the wall sensor:

1. Remove security screw on the bottom of sensor cover.
2. Open up by pulling on the bottom side of sensor (see Fig. 1).

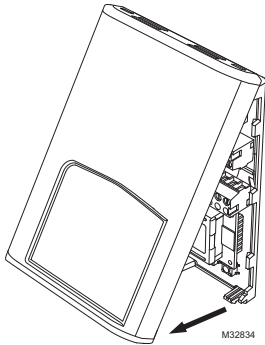
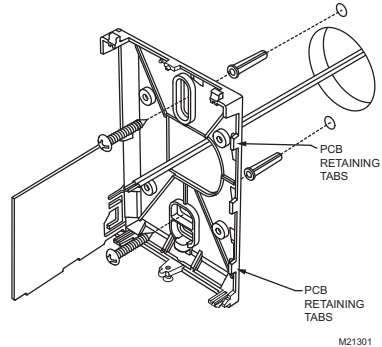


Fig. 1. Remove sensor cover.

3. Pull cables 6" out of the wall.
4. Insert cable in the central hole of the base.
5. Flip printed circuit board to access mounting hole
6. Align the base and mark the location of the two mounting holes on the wall. Install proper side of base up.
7. Install anchors in the wall.
8. Insert screws in mounting holes on each side of the base. Do not over tighten.
9. Strip each wire 1/4 inch.
10. Insert each wire according to wiring diagram.
11. Gently push excess wiring back into the wall.
12. Press printed circuit board back into place
13. Install the cover, top side first.
14. Install security screw.



M21301

Fig. 2. Mounting the sensor.

## Sensor Dimensions

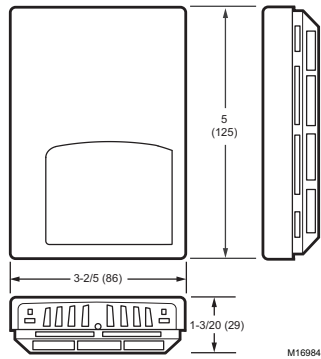


Fig. 3. Dimensions in in (mm).

## SENSOR WIRING

This section provides wiring examples with the TB wall sensors and the TB7600, TB7300, and TB7200 Series Communicating Thermostats.

See Fig. 5-10 for typical sensor wiring and DIP switch settings. See Fig. 4 for the location of the DIP switches on the TB sensors.

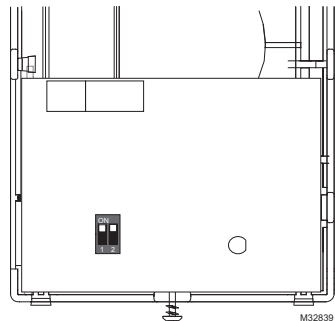
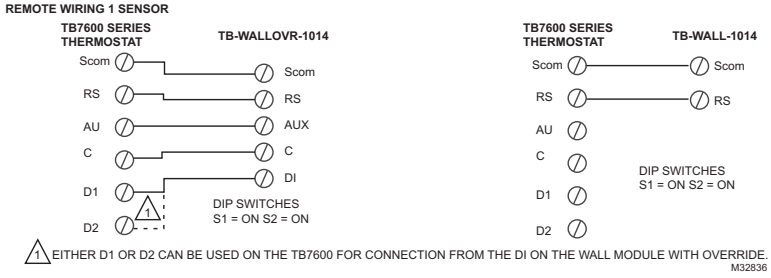
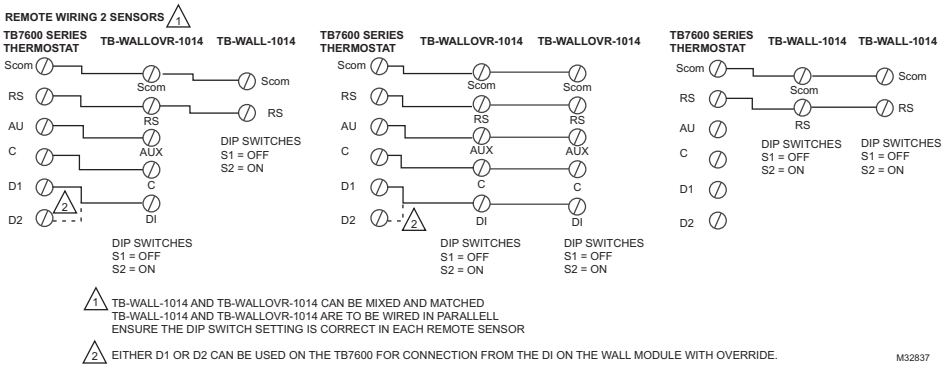


Fig. 4. Dip switch location.

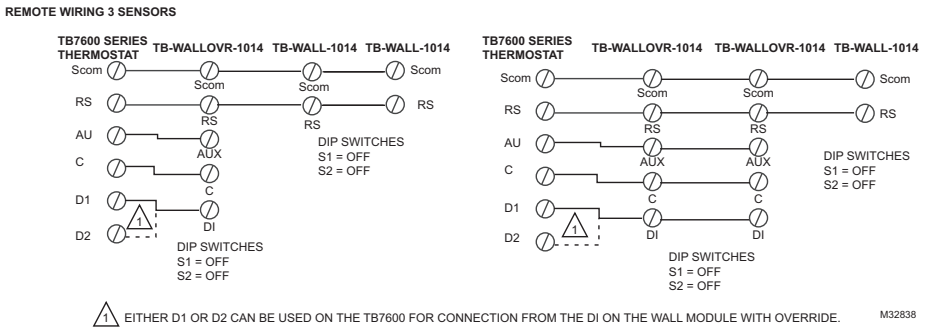
# TB7600 Wiring



**Fig. 5. Wiring example of single remote room sensor.**



**Fig. 6. Wiring examples with 2 remote room sensors for averaging applications.**



**Fig. 7. Wiring examples of 3 remote room sensors for averaging applications.**

## TB7200 & TB7300 Wiring

NOTE: If LED indicator is desired at the TB-WALL-OVR-1014:

1. Set the Aux Cont installer parameter (which controls BO5) to option 2, Auxiliary NC.
2. Install a jumper across the BO5 terminal and 24 Vac Hot.

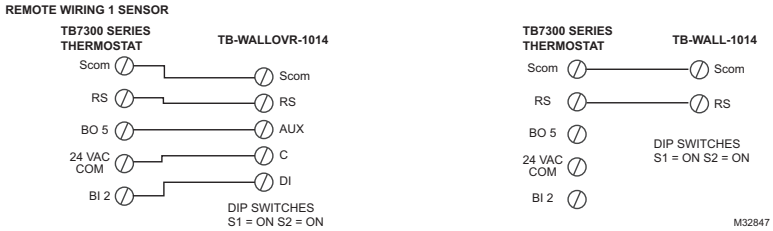


Fig. 8. Wiring example of single remote room sensor.

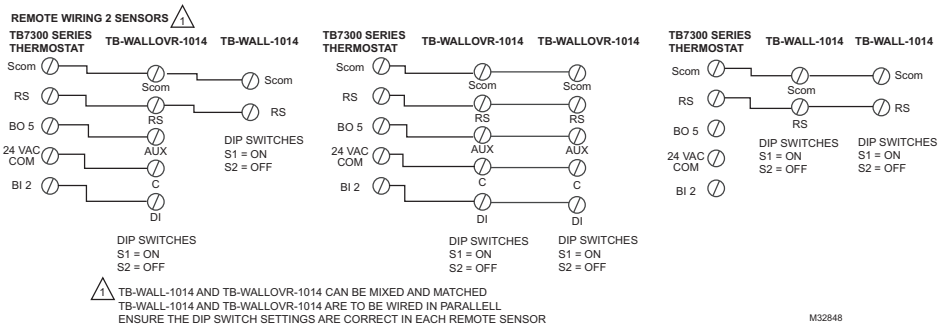


Fig. 9. Wiring examples of 2 remote room sensors for averaging applications.

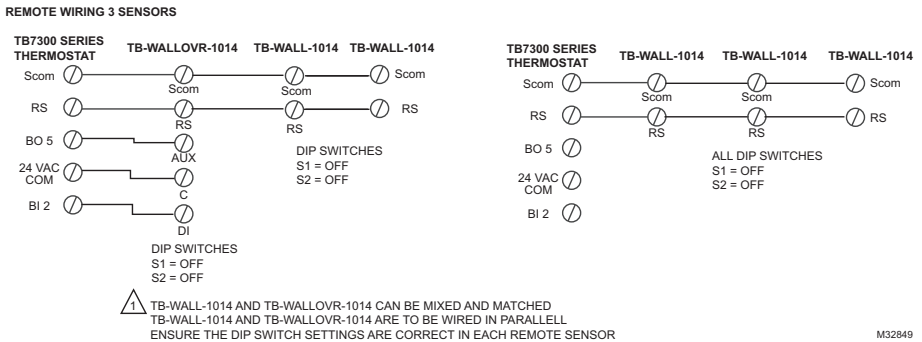


Fig. 10. Wiring examples of 3 remote room sensors for averaging applications.

### Automation and Control Solutions

Honeywell International Inc.  
1985 Douglas Drive North  
Golden Valley, MN 55422  
customer.honeywell.com

# Honeywell

© U.S. Registered Trademark  
© 2011 Honeywell International Inc.  
62-0387—03 M.S. Rev. 06-11  
Printed in U.S.A.