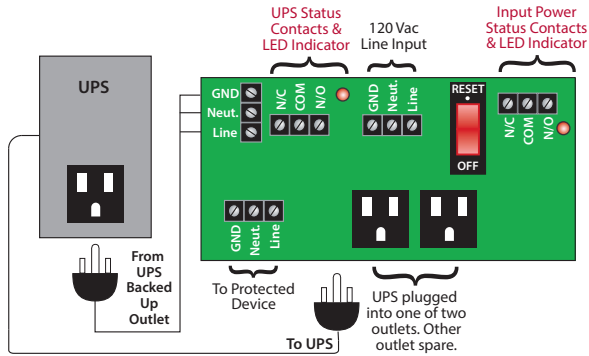


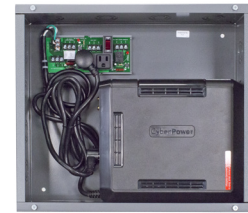
**UNINTERRUPTIBLE POWER SUPPLY IN KIT**

**PSH850-UPS-STAT**

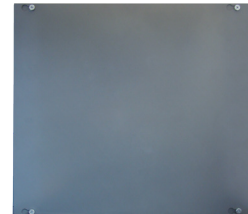
Kit Consisting of Enclosed Power Control Center Model PSH2C2RB10-L (10 Amp Switch / Circuit Breaker, Two (2) 120 Vac Outlets, Terminals, 120 Vac Input) with a 850 VA UPS. (Status Contacts)



**SINUSOIDAL OUTPUT OR PURE SINE WAVE OUTPUT**



Shown Without Cover



Shown With Cover

**SPECIFICATIONS**

**UPS**

**UPS:** 850VA

**Backup Time:** 2 Min. @ Full 850 VA Load  
8 Min. @ 1/2 Load

**Input:** 120 Vac, 12 Amp

**Sine Wave Output:** 120 Vac, 7.1 Amp

**Max Load:** 510 Watt

**Frequency:** 50/60 Hz

**Temperature Rating of UPS:** 32 to 95° F

**UPS Transfer Time:** 10ms

**Approvals:** UL Listed, UL1778

**Weight:** 15 lbs.

**Model:** Cyber Power Model 850PFCLCD

**PSH2C2RB10-L**

**Operating Temperature:** -30 to 140° F

**Humidity Range:** 5 to 95% (noncondensing)

**Main Breaker ON/OFF:** Switch / Breaker (10 Amp)

**Approvals:** UL Listed, UL916, C-UL

**Dimensions:** 14.000" x 16.000" x 6.000"  
Metal Housing with Screw Cover

**Line Input Status Contacts and UPS Output Status Contacts Rated:**

- 10 Amp @ 277 Vac General Use
- 10 Amp @ 30 Vdc (N/O)
- 7 Amp @ 30 Vdc (N/C)
- 1/2 HP @ 125 Vac
- 1/4 HP @ 277 Vac
- 1000 VA @ 120 Vac Magnetic Ballast (N/C)
- C300 Pilot Duty
- 16.8 VA @ 24 Vac Pilot Duty

**Notes:**

- To order without UPS, so that any other commercial UPS with appropriate ratings and within housing space limitations may be used, see model PSH2C2RB10-L.
- To order interface board for replacement or for separate use, order model PSMN2C2RB10.
- **Typical battery life: 3-6 years, depending on number of discharge/recharge cycles**

POWER CONTROL

**ESTIMATED BACKUP TIME VS. LOAD**

