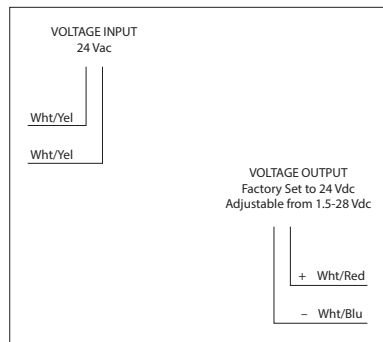


DC POWER SUPPLY: 24 VAC TO 1.5 - 28 VDC

PSP24DA

Enclosed **Non-Isolated** Linear DC Power Supply, 24 Vac to 1.5-28 Vdc Adjustable Output



SPECIFICATIONS

| | | | |
|--|--|---|---|
| <p>Voltage Input: 24 Vac, full-wave rectified</p> <p>Voltage Output: 1.5 - 28 Vdc non-isolated</p> <p>Frequency: 50/60 Hz</p> <p>Overload Protection: Electrical and Thermal, Auto-Reset</p> <p>Operating Temperature: -30 to 140° F</p> <p>Humidity Range: 5 to 95% (noncondensing)</p> <p>Power Status: LED On = Activated</p> <p>Dimensions: 2.30" x 3.20" x 1.80" with .50" NPT nipple</p> <p>Wires: 16", 600V Rated</p> <p>Weight: .30 lbs.</p> <p>ON/OFF Switch: None</p> <p>Approvals: Class 2 (UL Approved UL5085-3), UL916, C-UL</p> <p>Housing Rating: UL Accepted for Use in Plenum, NEMA 1</p> | <p>Output Current Ratings:</p> <p>116 mA @ 10 Vdc</p> <p>125 mA @ 12 Vdc</p> <p>300 mA @ 24 Vdc</p> <p>Input Current Rating:</p> <p>550 mA Maximum</p> | <p>Percent Ripple:</p> <p>0.0016%, 24 Vdc @ 300 mA</p> <p>Regulation:</p> <p>Load: 0.04% No Load to Full Load</p> <p>Line: 0.0125 V/V</p> | <p>Notes:</p> <ul style="list-style-type: none"> Requires a separate ungrounded transformer when used in conjunction with 1/2 wave rectified power supplies, grounded 24 Vac transformers, or when 24 Vac and 24 Vdc are connected in common. |
|--|--|---|---|

POWER SUPPLIES