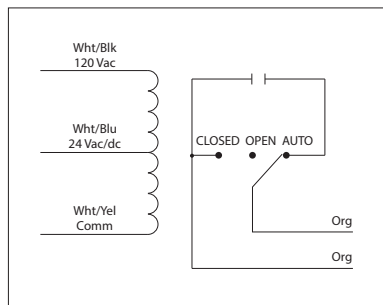


**20 AMP POWER CONTROL RELAYS**

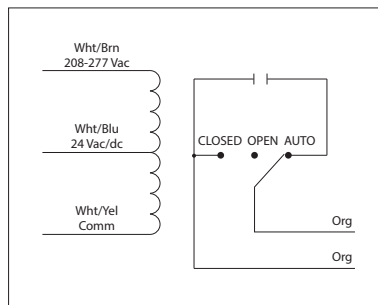
**RIB2401SB**

Enclosed Relay 20 Amp SPST-N/O + Override with 24 Vac/dc/120 Vac Coil



**RIB2402SB**

Enclosed Relay 20 Amp SPST-N/O + Override with 24 Vac/dc/208-277 Vac Coil



RELAYS

**SPECIFICATIONS**

**# Relays & Contact Type:** One (1) SPST Continuous Duty Coil  
**Expected Relay Life:** 10 million cycles minimum mechanical  
**Operating Temperature:** -30 to 140° F  
**Humidity Range:** 5 to 95% (noncondensing)  
**Operate Time:** 18ms  
**Relay Status:** LED On = Activated  
**Dimensions:** 2.30" x 3.20" x 1.80" with .50" NPT Nipple  
**Wires:** 16", 600V Rated  
**Approvals:** UL Listed, UL916, UL864, UL508, C-UL California State Fire Marshal  
**Housing Rating:** UL Accepted for Use in Plenum, NEMA 1  
**Gold Flash:** No  
**Override Switch:** Yes

**Contact Ratings:**  
 20 Amp Resistive @ 277 Vac  
 20 Amp Ballast @ 277 Vac (N/O)  
 10 Amp Ballast @ 277 Vac (N/C)  
*Not rated for Electronic Ballast*  
 10 Amp Tungsten @ 120 Vac (N/O)  
 770 VA Pilot Duty @ 120 Vac  
 1,110 VA Pilot Duty @ 277 Vac  
 2 HP @ 277 Vac  
 1 HP @ 120 Vac

**Coil Voltage Input:**  
 24 Vac/dc ; 120 Vac ; 50-60 Hz (RIB2401SB)  
 24 Vac/dc ; 208-277 Vac ; 50-60 Hz (RIB2402SB)  
 Drop Out = 2.1 Vac / 3.8 Vdc  
 Pull In = 18 Vac / 22 Vdc

**Coil Current:**  
 50 mA @ 18 Vac                      33 mA @ 22 Vdc  
 83 mA @ 24 Vac                      35 mA @ 24 Vdc  
 47 mA @ 120 Vac (RIB2401SB)    47 mA @ 30 Vdc  
 69 mA @ 208-277 Vac (RIB2402SB)

**Notes:**  
 • Order Normally Closed by adding "-NC" to end of model number