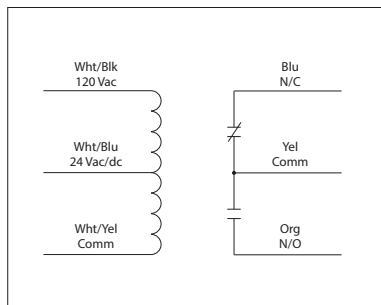


20 AMP POWER CONTROL RELAYS

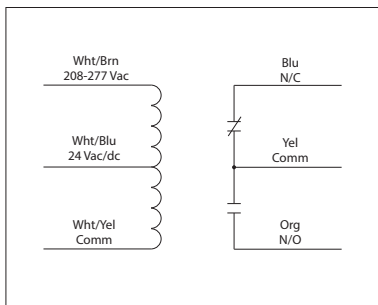
RIB2401B

Enclosed Relay 20 Amp SPDT with 24 Vac/dc/120 Vac Coil



RIB2402B

Enclosed Relay 20 Amp SPDT with 24 Vac/dc/208-277 Vac Coil



Made in USA
Meets "Buy American" of ARRA 2009

RELAYS

SPECIFICATIONS

Relays & Contact Type: One (1) SPDT Continuous Duty Coil
Expected Relay Life: 10 million cycles minimum mechanical
Operating Temperature: -30 to 140° F
Humidity Range: 5 to 95% (noncondensing)
Operate Time: 18ms
Relay Status: LED On = Activated
Dimensions: 2.30" x 3.20" x 1.80" with .50" NPT Nipple
Wires: 16", 600V Rated
Approvals: UL Listed, UL916, UL864, C-UL California State Fire Marshal
Housing Rating: UL Accepted for Use in Plenum, NEMA 1
Gold Flash: No
Override Switch: No

Contact Ratings:
 20 Amp Resistive @ 277 Vac
 5 Amp Resistive @ 480 Vac
 20 Amp Ballast @ 277 Vac
 16 Amp Electronic Ballast @ 277 Vac (N/O)
 10 Amp Tungsten @ 120 Vac (N/O)
 770 VA Pilot Duty @ 120 Vac
 1,110 VA Pilot Duty @ 277 Vac
 2 HP @ 277 Vac
 1 HP @ 120 Vac

Coil Current:
 50 mA @ 18 Vac 33 mA @ 22 Vdc
 83 mA @ 24 Vac 35 mA @ 24 Vdc
 47 mA @ 120 Vac (RIB2401B) 47 mA @ 30 Vdc
 69 mA @ 208-277 Vac (RIB2402B)

Coil Voltage Input:
 24 Vac/dc ; 120 Vac ; 50-60 Hz (RIB2401B)
 24 Vac/dc ; 208-277 Vac ; 50-60 Hz (RIB2402B)
 Drop Out = 2.1 Vac / 3.8 Vdc
 Pull In = 18 Vac / 22 Vdc