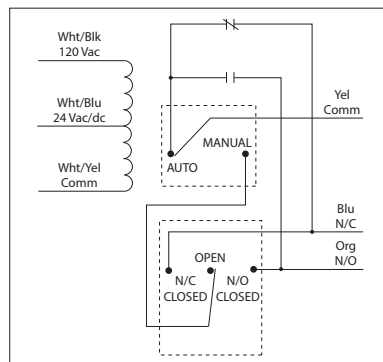


**20 AMP POWER CONTROL RELAYS**

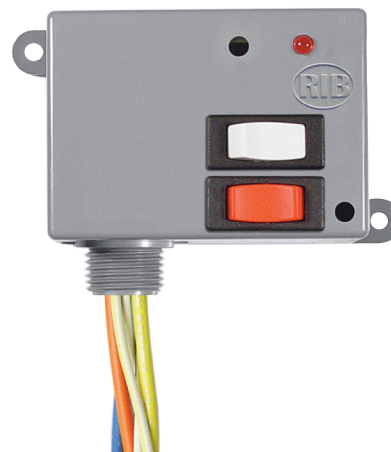
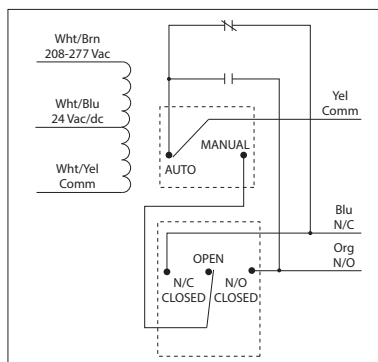
**RIB2401SBC**

Enclosed Relay 20 Amp SPDT + Override with 24 Vac/dc/120 Vac Coil



**RIB2402SBC**

Enclosed Relay 20 Amp SPDT + Override with 24 Vac/dc/208-277 Vac Coil



Meets "Buy American" of ARRA 2009

RELAYS

**SPECIFICATIONS**

**# Relays & Contact Type:** One (1) SPDT Continuous Duty Coil

**Expected Relay Life:** 10 million cycles minimum mechanical

**Operating Temperature:** -30 to 140° F

**Humidity Range:** 5 to 95% (noncondensing)

**Operate Time:** 18ms

**Relay Status:** LED On = Activated

**Dimensions:** 2.30" x 3.20" x 1.80" with .50" NPT Nipple

**Wires:** 16", 600V Rated

**Approvals:** UL Listed, UL916, UL864, C-UL California State Fire Marshal

**Housing Rating:** UL Accepted for Use in Plenum, NEMA 1

**Gold Flash:** No

**Override Switch:** Yes (2)

**Contact Ratings:**

20 Amp Resistive @ 277 Vac

20 Amp Ballast @ 277 Vac (N/O)

10 Amp Ballast @ 277 Vac (N/C)

*Not rated for Electronic Ballast*

10 Amp Tungsten @ 120 Vac (N/O)

770 VA Pilot Duty @ 120 Vac

1,110 VA Pilot Duty @ 277 Vac

2 HP @ 277 Vac

1 HP @ 120 Vac

**Coil Current:**

50 mA @ 18 Vac

33 mA @ 22 Vdc

83 mA @ 24 Vac

35 mA @ 24 Vdc

47 mA @ 120 Vac (RIB2401SBC)

47 mA @ 30 Vdc

69 mA @ 208-277 Vac (RIB2402SBC)

**Coil Voltage Input:**

24 Vac/dc; 120 Vac; 50-60 Hz (RIB2401SBC)

24 Vac/dc; 208-277 Vac; 50-60 Hz (RIB2402SBC)

Drop Out = 2.1 Vac / 3.8 Vdc

Pull In = 18 Vac / 22 Vdc