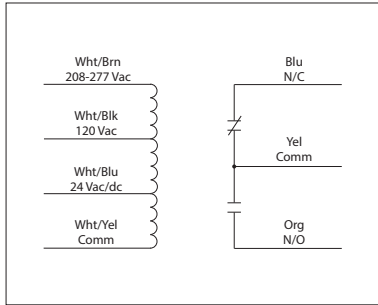


**20 AMP POWER CONTROL RELAYS**

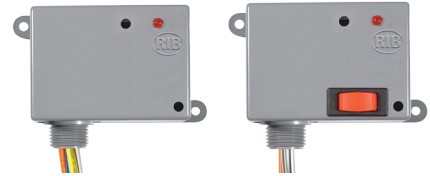
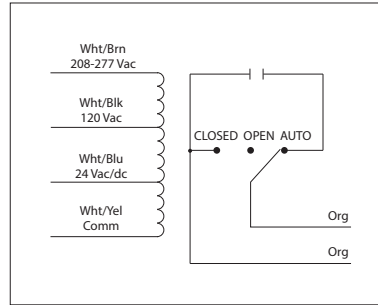
**RIB2421B**

Enclosed Relay 20 Amp with  
24 Vac/dc/208-277 Vac/120 Vac Coil



**RIB2421SB**

Enclosed Relay 20 Amp + **Override** with  
24 Vac/dc/208-277 Vac/120 Vac Coil



**GREAT SERVICE TRUCK RELAY**  
ONE RELAY COVERS MOST APPLICATIONS

RELAYS

**SPECIFICATIONS**

**# Relays & Contact Type:** One (1) SPDT Continuous Duty Coil (RIB2421B)  
One (1) SPST Continuous Duty Coil (RIB2421SB)

**Expected Relay Life:** 10 million cycles minimum mechanical

**Operating Temperature:** -30 to 140° F

**Humidity Range:** 5 to 95% (noncondensing)

**Operate Time:** 18ms

**Relay Status:** LED On = Activated

**Dimensions:** 2.30" x 3.20" x 1.80" with .50" NPT Nipple

**Wires:** 16", 600V Rated

**Approvals:** UL Listed, UL916, UL864, C-UL  
California State Fire Marshal

**Housing Rating:** UL Accepted for Use in Plenum, NEMA 1

**Gold Flash:** No

**Override Switch:** No (RIB2421B)  
Yes (RIB2421SB)

**Contact Ratings (RIB2421B):**

- 20 Amp Resistive @ 277 Vac
- 5 Amp Resistive @ 480 Vac
- 20 Amp Ballast @ 277 Vac
- 16 Amp Electronic Ballast @ 277 Vac (N/O)
- 10 Amp Tungsten @ 120 Vac (N/O)
- 770 VA Pilot Duty @ 120 Vac
- 1,110 VA Pilot Duty @ 277 Vac
- 2 HP @ 277 Vac
- 1 HP @ 120 Vac

**Coil Current:**

- 83 mA @ 24 Vac
- 47 mA @ 120 Vac
- 69 mA @ 208-277 Vac
- 47 mA @ 30 Vdc

**Coil Voltage Input:**

- 24 Vac/dc ; 208-277 Vac ; 120 Vac ; 50-60 Hz
- Drop Out = 2.1 Vac / 3.8 Vdc
- Pull In = 18 Vac / 22 Vdc

**Contact Ratings (RIB2421SB):**

- 20 Amp Resistive @ 277 Vac
- 20 Amp Ballast @ 277 Vac (N/O)
- 10 Amp Ballast @ 277 Vac (N/C)
- Not rated for Electronic Ballast*
- 10 Amp Tungsten @ 120 Vac (N/O)
- 770 VA Pilot Duty @ 120 Vac
- 1,110 VA Pilot Duty @ 277 Vac
- 2 HP @ 277 Vac
- 1 HP @ 120 Vac

**Notes:**

- Order Normally Closed by adding "-NC" to end of model number (RIB2421SB)