

**FIRE ALARM RELAYS**

**RIB24C-FA**

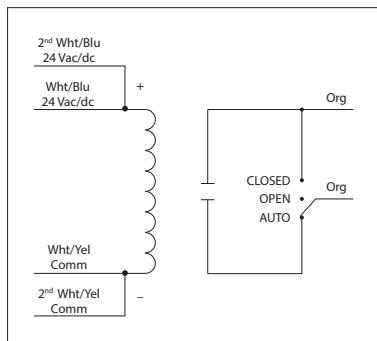
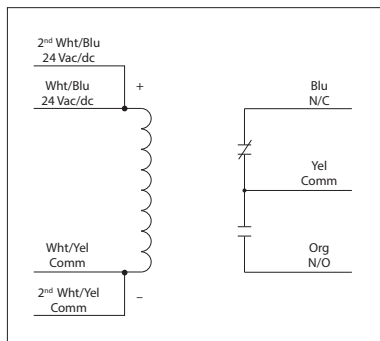
Enclosed Relay 10 Amp, Polarized with 24 Vac/dc Coil

**RIB24S-FA**

Enclosed Relay 10 Amp + **Override**, Polarized with 24 Vac/dc Coil



Made in USA  
Meets  
"Buy American"  
of ARRA 2009



**RIB24C-FA-RD**  
**RIB24S-FA-RD**  
• Red housing



**RIB24C-FA-N4**  
• NEMA 4X housing, UL508 only

RELAYS

**SPECIFICATIONS**

**# Relays & Contact Type:** One (1) SPDT Continuous Duty Coil

**Expected Relay Life:** 10 million cycles minimum mechanical

**Operating Temperature:** -30 to 140° F

**Humidity Range:** 5 to 95% (noncondensing)

**Operate Time:** 6ms

**Relay Status:** LED On = Activated

**Dimensions:** 1.70" x 2.80" x 1.50" with .50" NPT nipple

**Wires:** 16", 600V Rated

**Approvals:** UL Listed, UL916, UL864, C-UL California State Fire Marshal

**Housing Rating:** UL Accepted for Use in Plenum, NEMA 1

**Gold Flash:** No

**Override Switch:** No (RIB24C-FA)  
Yes (RIB24S-FA)

**Contact Ratings:**

10 Amp General Use @ 277 Vac

10 Amp Resistive @ 30 Vdc (N/O)

7 Amp Resistive @ 30 Vdc (N/C)

1/2 HP @ 125 Vac

1 HP @ 250 Vac

1/4 HP @ 277 Vac

470 VA Pilot Duty @ 125 Vac

770 VA Pilot Duty @ 250 Vac

**Coil Current:**

26 mA @ 20 Vac

31 mA @ 24 Vac

48 mA @ 35 Vac

14 mA @ 20 Vdc

18 mA @ 24 Vdc

28 mA @ 35 Vdc

**Coil Voltage Input:**

24 Vac/dc ; 50-60 Hz

Drop Out = 3 Vac / 3.8 Vdc

Pull In = 20 Vac / 20 Vdc

**Notes:**

• Order Normally Closed by adding "-NC" to end of model number (RIB24S-FA)