

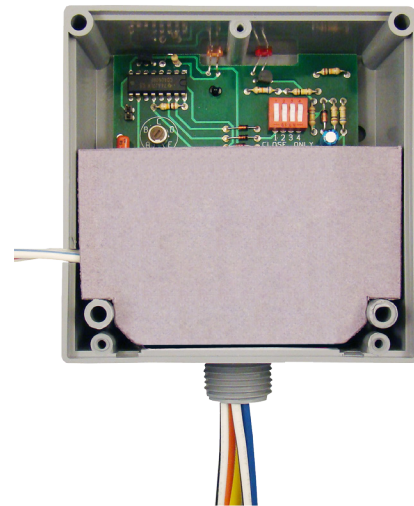
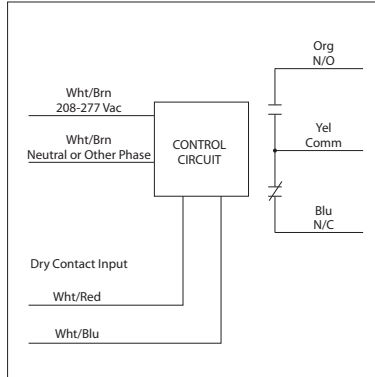
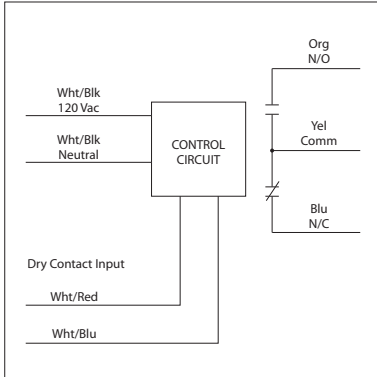
DRY CONTACT INPUT TIME DELAY RELAYS

RIBD01BDC

Enclosed Delay on Make Relay 20 Amp SPDT, Class 2 Dry Contact Input, 120 Vac Power Input

RIBD02BDC

Enclosed Delay on Make Relay 20 Amp SPDT, Class 2 Dry Contact Input, 208-277 Vac Power Input



RELAYS

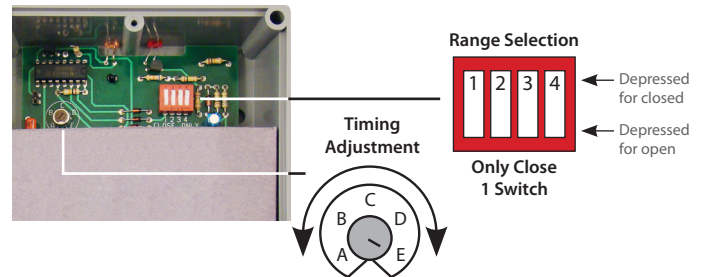
SPECIFICATIONS

- # Relays & Contact Type: One (1) SPDT Continuous Duty Coil
- Expected Relay Life: 10 million cycles minimum mechanical
- Operating Temperature: -30 to 140° F
- Humidity Range: 5 to 95% (noncondensing)
- Operate Time: 18ms after time delay
- Relay Status: Red LED On = Activated
- Time Delay Status: Pink LED FLASHING = Timing / Relay Deactivated
- Timing Mode: Delay On Make
- Timing Range: 6 seconds - 20 minutes
- Timing Adjustment: 4 position DIP switch for range selection and single turn potentiometer for timing adjustment within range
- Timing Tolerance: Switches 1 & 2 = ±10%
Switches 3 & 4 = ±5%
- Timing Repeatability: ±1%
- Temperature Timing Variance: ±1%
- Voltage Timing Variance: ±1%
- Recycle Time: 750ms Maximum
- Dimensions: 4.00" x 4.00" x 1.80" with .50" NPT nipple
- Wires: 16", 600V Rated
- Approvals: UL Listed, UL916, C-UL
- Housing Rating: UL Accepted for Use in Plenum, NEMA 4
- Gold Flash: No
- Override Switch: No

- Contact Ratings:**
- 20 Amp Resistive @ 277 Vac
 - 20 Amp Ballast @ 277 Vac
 - 16 Amp Electronic Ballast @ 277 Vac (N/O)
 - 10 Amp Tungsten @ 120 Vac (N/O)
 - 770 VA Pilot Duty @ 120 Vac
 - 1,110 VA Pilot Duty @ 277 Vac
 - 2 HP @ 277 Vac
 - 1 HP @ 120 Vac

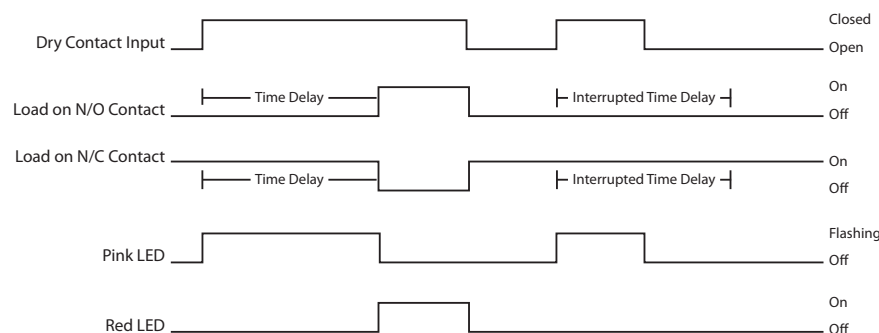
- Power Input:**
- 42 mA @ 120 Vac (RIBD01BDC)
 - 62 mA @ 208-277 Vac (RIBD02BDC)

- Notes:**
- **Dry Contact Input Operation:** Close White/Red wire to White/Blue wire to start timing. Relay will activate after timing sequence has ended.
 - If more than one dry contact RIB® shares a single dry contact input, White/Blue must be common.

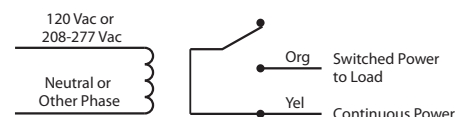


Switch Ranges	Close Dip Switch	Potentiometer Setting				
		A	B	C	D	E
6s-20s	1	6s	9s	13s	16s	20s
22s-1min15s	2	22s	36s	50s	1min4s	1min15s
1min30s-5min	3	1min30s	2min10s	3min20s	4min16s	5min
6min-20min	4	6min	9min	13min20s	17min20s	20min

Delay on Make



Wiring for Load on N/O Contact



Wiring for Load on N/C Contact

