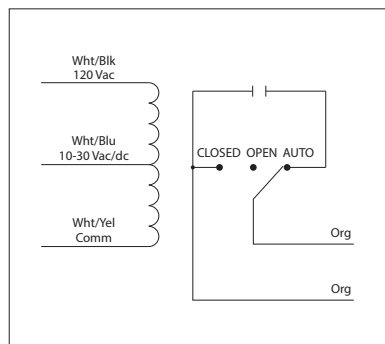


**10 AMP PILOT CONTROL RELAYS**

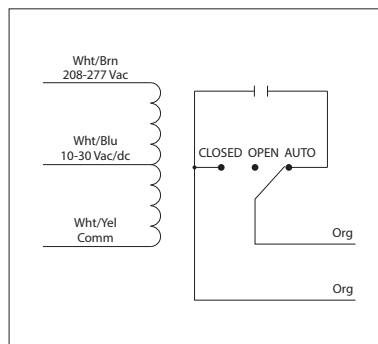
**RIBU1S**

Enclosed Relay 10 Amp SPST-N/O + Override with 10-30 Vac/dc/120 Vac Coil



**RIBH1S**

Enclosed Relay 10 Amp SPST-N/O + Override with 10-30 Vac/dc/208-277 Vac Coil



Made in USA  
Meets  
"Buy American"  
of ARRA 2009

RELAYS

**SPECIFICATIONS**

**# Relays & Contact Type:** One (1) SPST Continuous Duty Coil  
**Expected Relay Life:** 10 million cycles minimum mechanical  
**Operating Temperature:** -30 to 140° F  
**Humidity Range:** 5 to 95% (noncondensing)  
**Operate Time:** 20ms  
**Relay Status:** LED On = Activated  
**Dimensions:** 2.30" x 3.20" x 1.80" with .50" NPT nipple  
**Wires:** 16", 600V Rated  
**Approvals:** UL Listed, UL916, UL864, C-UL California State Fire Marshal  
**Housing Rating:** UL Accepted for Use in Plenum, NEMA 1  
**Gold Flash:** Yes  
**Override Switch:** Yes

**Contact Ratings:**  
 10 Amp Resistive @ 277 Vac  
 480 VA Pilot Duty @ 277 Vac  
 480 VA Ballast @ 277 Vac  
*Not rated for Electronic Ballast*  
 600 Watt Tungsten @ 120 Vac (N/O)  
 240 Watt Tungsten @ 120 Vac (N/C)  
 1/3 HP @ 120-240 Vac (N/O)  
 1/6 HP @ 120-240 Vac (N/C)  
 1/4 HP @ 277 Vac (N/O)  
 1/8 HP @ 277 Vac (N/C)  
**Coil Voltage Input:**  
 10-30 Vac/dc ; 120 Vac ; 50-60 Hz (RIBU1S)  
 10-30 Vac/dc ; 208-277 Vac ; 50-60 Hz (RIBH1S)  
 Drop Out = 2.1 Vac / 2.8 Vdc  
 Pull In = 9 Vac / 10 Vdc

**Coil Current:**  
 33 mA @ 10 Vac      13 mA @ 10 Vdc  
 35 mA @ 12 Vac      15 mA @ 12 Vdc  
 46 mA @ 24 Vac      18 mA @ 24 Vdc  
 55 mA @ 30 Vac      20 mA @ 30 Vdc  
 28 mA @ 120 Vac (RIBU1S)  
 39 mA @ 208-277 Vac (RIBH1S)

**Notes:**  
 • Order Normally Closed by adding "-NC" to end of model number