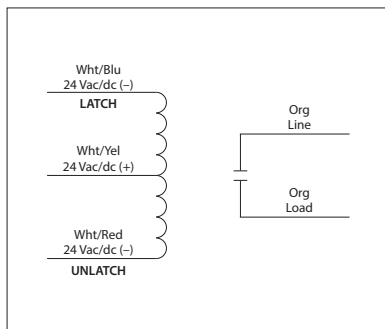


**LATCHING RELAYS**

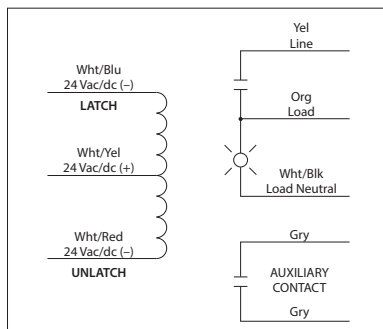
**RIBL24B**

Enclosed Mechanically Latching Relay 20 Amp SPST with 24 Vac/dc Coil



**RIBL24BM**

Enclosed Mechanically Latching Relay 20 Amp SPST with 24 Vac/dc Coil, **Status LED and Auxiliary Output**



**RIBL24B-RD**  
• Red housing



**RIBL24B-N4**  
• NEMA 4X housing (Not available on switched models)

RELAYS

**SPECIFICATIONS**

- # Relays & Contact Type: One (1) SPST Latching Relay Dual Coil
- Expected Relay Life: 1 million cycles minimum mechanical
- Operating Temperature: -30 to 140° F
- Humidity Range: 5 to 95% (noncondensing)
- Operate Time: 50ms
- Maximum Pulse Length: 30 seconds
- Relay Status / Auxiliary
  - Contact Closed: LED On = Voltage Detected on Load Wire (RIBL24BM)
  - Dimensions: 1.70" x 2.80" x 1.50" with .50" NPT Nipple (RIBL24B)  
2.30" x 3.20" x 1.80" with .50" NPT Nipple (RIBL24BM)
  - Wires: 16", 600V Rated
  - Approvals: UL Listed, UL60947, C-UL
  - Housing Rating: UL Accepted for Use in Plenum, NEMA 1
  - Gold Flash: No

- Contact Ratings:**
  - 20 Amp Resistive @ 120-277 Vac
  - 20 Amp Ballast @ 120-277 Vac
  - 16 Amp Electronic Ballast @ 120-277 Vac
  - 5540 Watt Tungsten @ 277 Vac
  - 720 VA Pilot Duty @ 120-277 Vac
  - 2 HP @ 277 Vac
  - 3 HP @ 240 Vac
  - 1.5 HP @ 120 Vac

- Coil Current:**
  - 175 mA @ 20 Vac
  - 210 mA @ 24 Vac
  - 92 mA @ 20 Vdc
  - 110 mA @ 24 Vdc
  - 138 mA @ 30 Vdc
- Latch / Unlatch:**
  - Min. 20 Vdc / 22 Vac

- Notes:**
  - Application of voltage on latch coil (Wht/Blu & Wht/Yel) will close the contact.
  - Application of voltage on unlatch coil (Wht/Red & Wht/Yel) will open the contact.
  - Auxiliary contact and status LED activate when 120-277 Vac is applied between Load (Org) wire and Load Neutral (Wht/Blk) wire. (RIBL24BM)