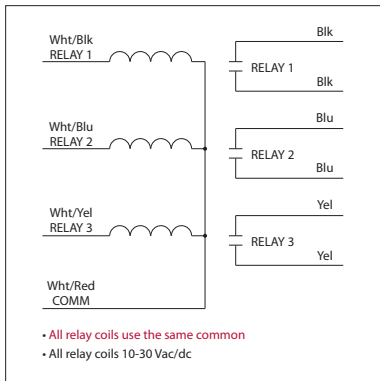


10 AMP PILOT CONTROL RELAYS

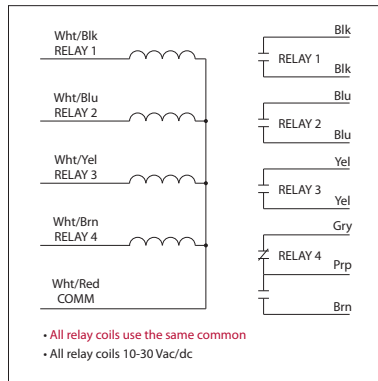
RIBL3C

Enclosed Relays 10 Amp 3 SPST-N/O with 10-30 Vac/dc Coil



RIBL4C

Enclosed Relays 10 Amp 3 SPST-N/O + 1 SPDT with 10-30 Vac/dc Coil



SPECIFICATIONS

Relays & Contact Type: Three (3) SPST Continuous Duty Coil (RIBL3C)
Three (3) SPST + One (1) SPDT Continuous Duty Coil (RIBL4C)

Expected Relay Life: 10 million cycles minimum mechanical

Operating Temperature: -30 to 140° F

Humidity Range: 5 to 95% (noncondensing)

Operate Time: 20ms

Relay Status: LED On = Activated

Dimensions: 4.00" x 4.00" x 1.80" with .50" NPT nipple

Wires: 16", 600V Rated

Approvals: UL Listed, UL916, UL864, C-UL
California State Fire Marshal

Housing Rating: UL Accepted for Use in Plenum, NEMA 1

Gold Flash: Yes

Override Switch: No

Contact Ratings:

10 Amp Resistive @ 277 Vac
10 Amp Resistive @ 28 Vdc
480 VA Pilot Duty @ 240-277 Vac
480 VA Ballast @ 277 Vac
Not rated for Electronic Ballast
600 Watt Tungsten @ 120 Vac (N/O)
240 Watt Tungsten @ 120 Vac (N/C)
1/3 HP @ 120-240 Vac (N/O)
1/6 HP @ 120-240 Vac (N/C)
1/4 HP @ 277 Vac (N/O)
1/8 HP @ 277 Vac (N/C)

Coil Current:

33 mA @ 10 Vac	13 mA @ 10 Vdc
35 mA @ 12 Vac	15 mA @ 12 Vdc
46 mA @ 24 Vac	18 mA @ 24 Vdc
55 mA @ 30 Vac	20 mA @ 30 Vdc

Coil Voltage Input:

10-30 Vac/dc ; 50-60 Hz
Drop Out = 2.1 Vac / 2.8 Vdc
Pull In = 9 Vac / 10 Vdc

Notes:

- Order Normally Closed by adding "-NC" to end of model number