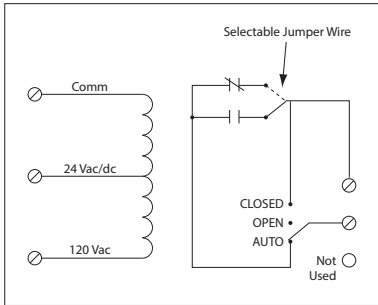


20 AMP TRACK MOUNT CONTROL RELAYS

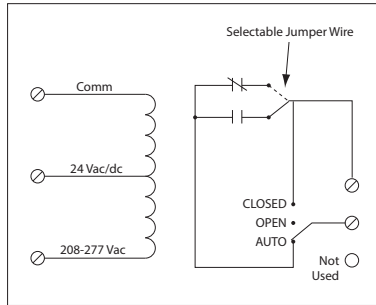
RIBM2401SB

4.00" Track Mount Relay 20 Amp SPST + Override with 24 Vac/dc/**120 Vac Coil**



RIBM2402SB

4.00" Track Mount Relay 20 Amp SPST + Override with 24 Vac/dc/**208-277 Vac Coil**



Meets "Buy American" of ABRA 2009

RELAYS

SPECIFICATIONS

- # Relays & Contact Type: One (1) SPST Continuous Duty Coil
- Expected Relay Life: 10 million cycles minimum mechanical
- Operating Temperature: -30 to 140° F
- Humidity Range: 5 to 95% (noncondensing)
- Operate Time: 18ms
- Relay Status: LED On = Activated
- Dimensions: 1.600" x 4.000" x 1.750"
- Track Mount: 4.000", See MT4 Series on page 152
MT4 Mounting Track Sold Separately
- Approvals: UL Listed, UL916, UL864, C-UL
California State Fire Marshal
- Gold Flash: No
- Override Switch: Yes

- Contact Ratings:**
- 20 Amp Resistive @ 277 Vac
- 20 Amp Ballast @ 277 Vac (N/O)
- 10 Amp Ballast @ 277 Vac (N/C)
- Not rated for Electronic Ballast
- 10 Amp Tungsten @ 120 Vac (N/O)
- 1110 VA Pilot Duty @ 277 Vac
- 770 VA Pilot Duty @ 120 Vac
- 2 HP @ 277 Vac
- 1 HP @ 120 Vac

- Coil Voltage Input:**
- 24 Vac/dc; 120 Vac; 50-60 Hz (RIBM2401SB)
- 24 Vac/dc; 208-277 Vac; 50-60 Hz (RIBM2402SB)
- Drop Out = 2.1 Vac / 3.8 Vdc
- Pull In = 18 Vac / 22 Vdc

- Coil Current:**
- 50 mA @ 18 Vac 33 mA @ 22 Vdc
- 83 mA @ 24 Vac 35 mA @ 24 Vdc
- 47 mA @ 120 Vac (RIBM2401SB) 47 mA @ 30 Vdc
- 69 mA @ 208-277 Vac (RIBM2402SB)

- Notes:**
- Normally Open or Normally Closed selected by yellow jumper wire