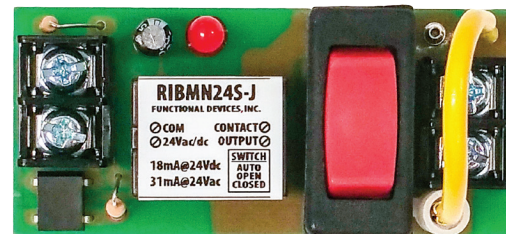
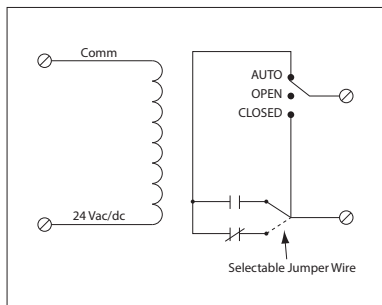


15 AMP TRACK MOUNT CONTROL RELAY

RIBMN24S-J

2.75" Track Mount Relay 15 Amp SPST + Override with 24 Vac/dc Coil and Jumper Selectable Output



RELAYS

SPECIFICATIONS

- # Relays & Contact Type:** One (1) SPST Continuous Duty Coil
- Expected Relay Life:** 10 million cycles minimum mechanical
- Operating Temperature:** -30 to 140° F
- Humidity Range:** 5 to 95% (noncondensing)
- Operate Time:** 6ms
- Relay Status:** LED On = Activated
- Dimensions:** 1.250" x 2.750" x 1.750"
- Track Mount:** 2.750", See MT212 Series on page 152
MT212 Mounting Track Sold Separately
- Approvals:** UL Listed, UL916, UL864, C-UL
California State Fire Marshal
- Gold Flash:** No
- Override Switch:** Yes

- Contact Ratings:**

 - 15 Amp General Use @ 125 Vac
 - 10 Amp General Use @ 277 Vac
 - 10 Amp Resistive @ 30 Vdc (N/O)
 - 7 Amp Resistive @ 30 Vdc (N/C)
 - 1/2 HP @ 125 Vac
 - 1 HP @ 250 Vac
 - 1/4 HP @ 277 Vac
 - C300 Pilot Duty

- Coil Current:**

 - 26 mA @ 20 Vac
 - 31 mA @ 24 Vac
 - 48 mA @ 35 Vdc
 - 14 mA @ 20 Vdc
 - 18 mA @ 24 Vdc
 - 28 mA @ 35 Vdc

- Coil Voltage Input:**

 - 24 Vac/dc ; 50-60 Hz
 - Drop Out = 3 Vac / 3.8 Vdc
 - Pull In = 20 Vac / 20 Vdc

- Notes:**

 - Normally Open or Normally Closed selected by yellow jumper wire.