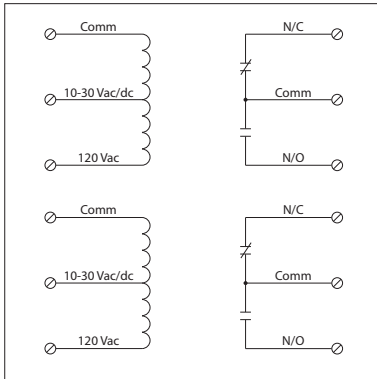


15 AMP TRACK MOUNT CONTROL RELAYS

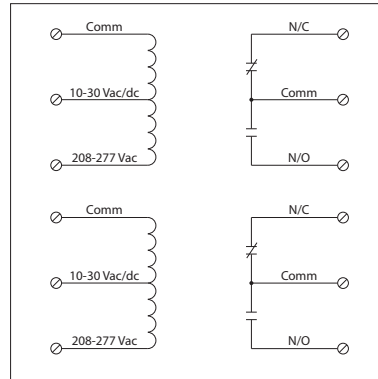
RIBMU2C

4.00" Track Mount Relays 15 Amp 2 SPDT with 10-30 Vac/dc/120 Vac Coil



RIBMH2C

4.00" Track Mount Relays 15 Amp 2 SPDT with 10-30 Vac/dc/208-277 Vac Coil



RELAYS

SPECIFICATIONS

- # Relays & Contact Type: Two (2) SPDT Continuous Duty Coil
- Expected Relay Life: 10 million cycles minimum mechanical
- Operating Temperature: -30 to 140° F
- Humidity Range: 5 to 95% (noncondensing)
- Operate Time: 20ms
- Relay Status: LED On = Activated
- Dimensions: 2.450" x 4.000" x 1.750"
- Track Mount: 4.000"; See MT4 Series on page 152
MT4 Mounting Track Sold Separately
- Approvals: UL Listed, UL916, UL864, C-UL
California State Fire Marshal
- Gold Flash: Yes
- Override Switch: No

- Contact Ratings:**
- 15 Amp Inductive @ 150 Vac
- 15 Amp Resistive @ 150 Vac, 28 Vdc
- 10 Amp Resistive @ 277 Vac
- 480 VA Pilot Duty @ 240-277 Vac
- 480 VA Ballast @ 277 Vac
- Not rated for Electronic Ballast*
- 600 Watt Tungsten @ 120 Vac (N/O)
- 240 Watt Tungsten @ 120 Vac (N/C)
- 1/3 HP @ 120-240 Vac (N/O)
- 1/6 HP @ 120-240 Vac (N/C)
- 1/4 HP @ 277 Vac (N/O)
- 1/8 HP @ 277 Vac (N/C)

- Coil Current:**
- 33 mA @ 10 Vac 13 mA @ 10 Vdc
- 35 mA @ 12 Vac 15 mA @ 12 Vdc
- 46 mA @ 24 Vac 18 mA @ 24 Vdc
- 55 mA @ 30 Vac 20 mA @ 30 Vdc
- 28 mA @ 120 Vac (RIBMU2C)
- 39 mA @ 208-277 Vac (RIBMH2C)

- Coil Voltage Input:**
- 10-30 Vac/dc ; 120 Vac ; 50-60 Hz (RIBMU2C)
- 10-30 Vac/dc ; 208-277 Vac ; 50-60 Hz (RIBMH2C)
- Drop Out = 2.1 Vac / 2.8 Vdc
- Pull In = 9 Vac / 10 Vdc