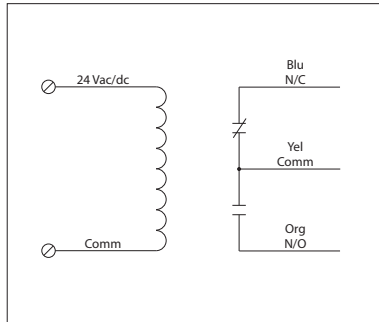


**20 AMP POWER CONTROL RELAYS**

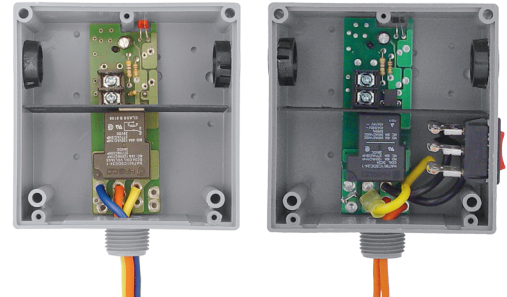
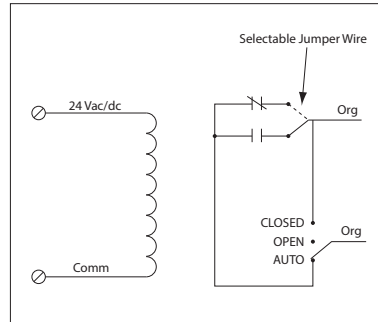
**RIBT24B**

Enclosed Relay Hi/Low Separation 20 Amp SPDT with 24 Vac/dc Coil



**RIBT24SB**

Enclosed Relay Hi/Low Separation 20 Amp SPST + **Override** with 24 Vac/dc Coil



RELAYS

**SPECIFICATIONS**

- # Relays & Contact Type: One (1) SPDT Continuous Duty Coil (RIBT24B)  
One (1) SPST Continuous Duty Coil (RIBT24SB)
- Expected Relay Life: 10 million cycles minimum mechanical
- Operating Temperature: -30 to 140° F
- Humidity Range: 5 to 95% (noncondensing)
- Operate Time: 18ms
- Relay Status: LED On = Activated
- Dimensions: 4.00" x 4.00" x 1.80" with .50" NPT Nipple
- Wires: 16", 600V Rated
- Approvals: UL Listed, UL916, UL864, C-UL  
California State Fire Marshal
- Housing Rating: UL Accepted for Use in Plenum, NEMA 1
- Gold Flash: No
- Override Switch: No (RIBT24B)  
Yes (RIBT24SB)

- Contact Ratings (RIBT24B):**
- 20 Amp Resistive @ 277 Vac
  - 5 Amp Resistive @ 480 Vac
  - 20 Amp Ballast @ 277 Vac
  - 16 Amp Electronic Ballast @ 277 Vac (N/O)
  - 10 Amp Tungsten @ 120 Vac (N/O)
  - 770 VA Pilot Duty @ 120 Vac
  - 1,110 VA Pilot Duty @ 277 Vac
  - 2 HP @ 277 Vac
  - 1 HP @ 120 Vac

- Coil Current:**
- 45 mA @ 18 Vac
  - 75 mA @ 24 Vac
  - 30 mA @ 22 Vdc
  - 32 mA @ 24 Vdc
  - 42 mA @ 30 Vdc
- Coil Voltage Input:**
- 24 Vac/dc ; 50-60 Hz
  - Drop Out = 2.1 Vac / 3.8 Vdc
  - Pull In = 18 Vac / 22 Vdc

- Contact Ratings (RIBT24SB):**
- 20 Amp Resistive @ 277 Vac
  - 20 Amp Ballast @ 277 Vac (N/O)
  - 10 Amp Ballast @ 277 Vac (N/C)
  - Not rated for Electronic Ballast
  - 10 Amp Tungsten @ 120 Vac (N/O)
  - 770 VA Pilot Duty @ 120 Vac
  - 1,110 VA Pilot Duty @ 277 Vac
  - 2 HP @ 277 Vac
  - 1 HP @ 120 Vac

- Notes:**
- Normally Open or Normally Closed selected by yellow jumper wire (RIBT24SB)