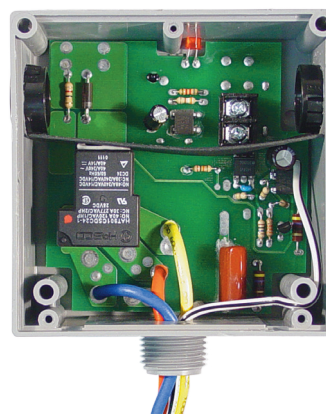
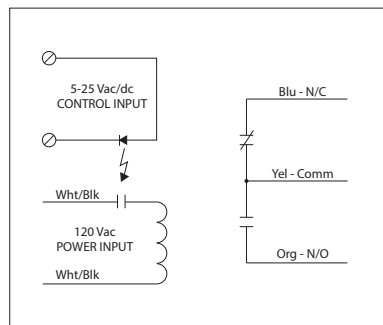


**LOW COIL INPUT RELAY**

**RIBTE01B**

Enclosed Relay Hi/Low Separation 20 Amp SPDT,  
120 Vac Power Input + 5-25 Vac/dc Control Input



Made in USA  
Meets  
"Buy American"  
of ARRA 2009

RELAYS

**SPECIFICATIONS**

**Power Input:** 120 Vac, 50-60 Hz  
**Control Input:** 5-25 Vac/dc, 50-60 Hz  
**# Relays & Contact Type:** One (1) SPDT Continuous Duty Coil  
**Expected Relay Life:** 10 million cycles minimum mechanical  
**Operating Temperature:** -30 to 140° F  
**Humidity Range:** 5 to 95% (noncondensing)  
**Operate Time:** 18ms  
**Relay Status:** LED On = Activated  
**Dimensions:** 4.00" x 4.00" x 1.80" with .50" NPT Nipple  
**Wires:** 16", 600V Rated  
**Approvals:** UL Listed, UL916, UL864, C-UL California State Fire Marshal  
**Housing Rating:** UL Accepted for Use in Plenum, NEMA 1  
**Gold Flash:** No  
**Override Switch:** No

**Contact Ratings:**  
 20 Amp Resistive @ 277 Vac  
 5 Amp Resistive @ 480 Vac  
 1110 VA Pilot Duty @ 277 Vac  
 770 VA Pilot Duty @ 120 Vac  
 20 Amp Ballast @ 277 Vac  
 16 Amp Electronic Ballast @ 277 Vac (N/O)  
 10 Amp Tungsten @ 120 Vac (N/O)  
 240 Watt Tungsten @ 120 Vac (N/C)  
 2 HP @ 277 Vac  
 1 HP @ 120 Vac

**Power Input Ratings:**  
 47 mA @ 120 Vac

**Control Input Ratings:**  
 .4 mA @ 5Vdc  
 .9 mA @ 10Vdc  
 1 mA @ 12Vdc  
 2 mA @ 24Vdc  
 3 mA @ 24 Vac  
 (Non Polarized)