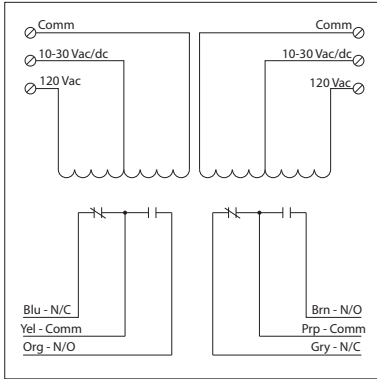


10 AMP PILOT CONTROL RELAYS

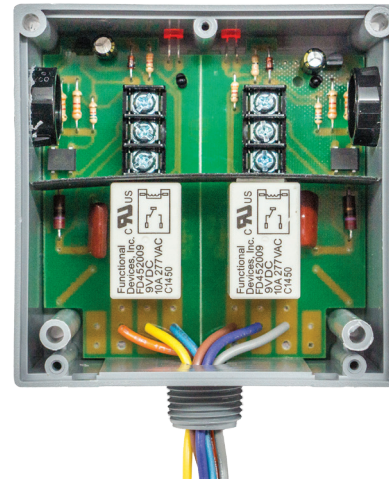
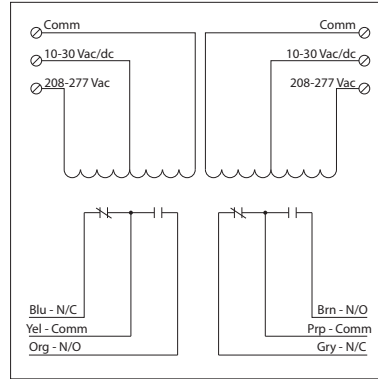
RIBTU2C

Enclosed Relays Hi/Low Separation 10 Amp
2 SPDT with 10-30 Vac/dc/**120 Vac Coil**



RIBTH2C

Enclosed Relays Hi/Low Separation 10 Amp
2 SPDT with 10-30 Vac/dc/**208-277 Vac Coil**



RELAYS

SPECIFICATIONS

- # Relays & Contact Type:** Two (2) SPDT Continuous Duty Coil
- Expected Relay Life:** 10 million cycles minimum mechanical
- Operating Temperature:** -30 to 140° F
- Humidity Range:** 5 to 95% (noncondensing)
- Operate Time:** 20ms
- Relay Status:** LED On = Activated
- Dimensions:** 4.00" x 4.00" x 1.80" with .50" NPT nipple
- Wires:** 16", 600V Rated
- Approvals:** UL Listed, UL916, UL864, C-UL California State Fire Marshal
- Housing Rating:** UL Accepted for Use in Plenum, NEMA 1
- Gold Flash:** Yes
- Override Switch:** No

- Contact Ratings:**
- 10 Amp Resistive @ 277 Vac
- 10 Amp Resistive @ 28 Vdc
- 480 VA Pilot Duty @ 240-277 Vac
- 480 VA Ballast @ 277 Vac
- Not rated for Electronic Ballast*
- 600 Watt Tungsten @ 120 Vac (N/O)
- 240 Watt Tungsten @ 120 Vac (N/C)
- 1/3 HP @ 120-240 Vac (N/O)
- 1/6 HP @ 120-240 Vac (N/C)
- 1/4 HP @ 277 Vac (N/O)
- 1/8 HP @ 277 Vac (N/C)

- Coil Current:**
- 33 mA @ 10 Vac 13 mA @ 10 Vdc
- 35 mA @ 12 Vac 15 mA @ 12 Vdc
- 46 mA @ 24 Vac 18 mA @ 24 Vdc
- 55 mA @ 30 Vac 20 mA @ 30 Vdc
- 28 mA @ 120 Vac (RIBTU2C)
- 39 mA @ 208-277 Vac (RIBTH2C)
- Coil Voltage Input:**
- 10-30 Vac/dc ; 120 Vac ; 50-60 Hz (RIBTU2C)
- 10-30 Vac/dc ; 208-277 Vac ; 50-60 Hz (RIBTH2C)
- Drop Out = 2.1 Vac / 2.8 Vdc
- Pull In = 9 Vac / 10 Vdc