

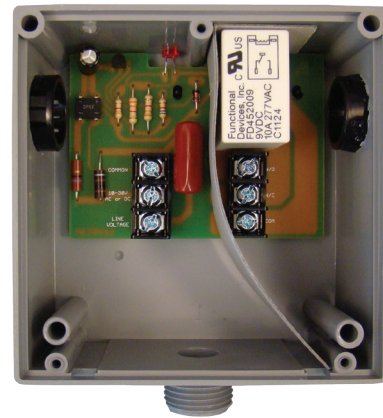
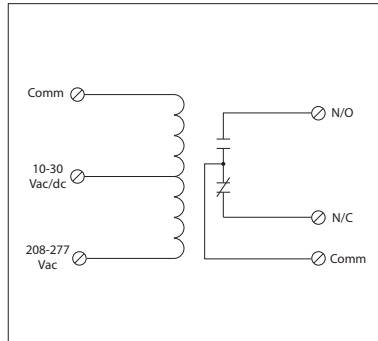
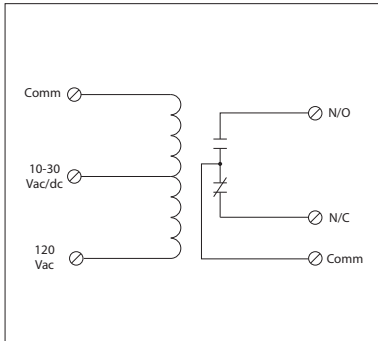
15 AMP PILOT CONTROL RELAYS

RIBU1CW

Enclosed Relay Hi/Low Separation 15 Amp SPDT with 10-30 Vac/dc/**120 Vac Coil**

RIBH1CW

Enclosed Relay Hi/Low Separation 15 Amp SPDT with 10-30 Vac/dc/**208-277 Vac Coil**



RELAYS

SPECIFICATIONS

Relays & Contact Type: One (1) SPDT Continuous Duty Coil

Expected Relay Life: 10 million cycles minimum mechanical

Operating Temperature: -30 to 140° F

Humidity Range: 5 to 95% (noncondensing)

Operate Time: 20ms

Relay Status: LED On = Activated

Dimensions: 4.00" x 4.00" x 1.80" with .50" NPT nipple

Approvals: UL Listed, UL916, UL864, C-UL California State Fire Marshal

Housing Rating: UL Accepted for Use in Plenum, NEMA 1

Gold Flash: Yes

Override Switch: No

Contact Ratings:

15 Amp Resistive @ 150 Vac, 28Vdc

15 Amp Inductive @ 150 Vac

10 Amp Resistive @ 277 Vac

480 VA Pilot Duty @ 240-277 Vac

480 VA Ballast @ 277 Vac

Not rated for Electronic Ballast

600 Watt Tungsten @ 120 Vac (N/O)

240 Watt Tungsten @ 120 Vac (N/C)

1/3 HP @ 120-240 Vac (N/O)

1/6 HP @ 120-240 Vac (N/C)

1/4 HP @ 277 Vac (N/O)

1/8 HP @ 277 Vac (N/C)

Coil Current:

33 mA @ 10 Vac 13 mA @ 10 Vdc

35 mA @ 12 Vac 15 mA @ 12 Vdc

46 mA @ 24 Vac 18 mA @ 24 Vdc

55 mA @ 30 Vac 20 mA @ 30 Vdc

28 mA @ 120 Vac (RIBU1CW)

39 mA @ 208-277 Vac (RIBH1CW)

Coil Voltage Input:

10-30 Vac/dc ; 120 Vac ; 50-60 Hz (RIBU1CW)

10-30 Vac/dc ; 208-277 Vac ; 50-60 Hz (RIBH1CW)

Drop Out = 2.1 Vac / 2.8 Vdc

Pull In = 9 Vac / 10 Vdc