

THE FIRING LINE

Gas Valve and Actuator Cross Reference

VALVES INCLUDED:

Honeywell	Page	Competitive	Page
VA44/VA84	3-4	ASCO	101
V48/V88	5-24	ITT AH2, AH4, AH8,	
V51E	25	AH13, HO	102-104
V155	26	B50	105-106
V413/V415	27-29	H118	107-110
VA435	30-31	HOV	111-114
V493/V893	32-33	K3	115
V495	34-35	V710, VB710	116-119
V499/V899	36	WHITE-RODGERS	
V517/V518/V519	37-38	26A02, 26A05	
V855	39-40	2634, 2647	120
V4001	41		
V4004/V8004	42-73		
V4034	74-75		
V4036/V8036	76		
V4046C/V8046C	77		
V4055	78-80		
V4062	81-82		
V4843/V4844/V8843/V8844	83-87		
V5034	88-91		
V5055	92-98		
V5097	98		
V6034	99		
V9034	99		
V9055	100		

The first page of this cross reference provides valve face-to-face dimensions for comparison.

With some replacements, it may be necessary to modernize the wiring to line voltage (120V/60 Hz). When rewiring to line voltage, make sure that the limit controls (if used) and associated controls are compatible with 120V/60 Hz.

**THE
FIRING
LINE**

Valve Size (Inches)	1/8	1/4	3/8	1/2	3/4	1	1-1/4	1-1/2	2	2-1/2	3	4
Model	Face-To-Face Dimensions (Inches)											
Honeywell												
V48/V88					3-1/2	3-1/2	4-5/8	5-5/16	8-3/8	8-3/8	8-3/8	
VA44/VA84						4	4-5/8	5-3/8				
V51E								3-1/16	3-9/16	4-11/16	4-7/8	5-5/16
V155					4-1/8	4-3/8	5	5-1/4	6	8-1/4		
V413/V415					4-1/8	4-3/8	5	5-1/4	6	8-1/4		
V435			2-13/16	2-13/16	3-17/32							
V493/V893						4	4-5/8-5-1/4 ^①	5-1/4	6	7-1/4	8-1/4	12
V495		2-5/32	2-5/32									
V517/V518/V519								5-1/4	6	7-1/4	8-1/4-10-1/4 ^②	11-3/4 ^③
V855					4-1/8	4-3/8	5	5-1/4	6	8-1/4		
V4004/V8004						5	5	5-1/4	7	9	10	13-1/2 ^③
V4021			4-5/8	4-5/8	5-5/16							
V4036/V8036					3-1/2	4	4-5/8	5-5/16				
V4046C/V8046C	1-3/4	1-3/4	1-3/4									
V4843/V8843/ V4943/V8943						5-3/16	5-3/16	5-1/4	5-1/4			
V4844/V8844/ V4944/V8944						5-3/16	5-3/16	5-1/4	5-1/4			
V5034						5-3/4	5-3/4	5-3/4	8-1/4	9-3/4	9-3/4	
V5055						5-3/4	5-3/4	5-3/4	8-3/8	9-1/4	9-1/4	12-1/2
V5097 ^④					8-1/4	8-1/4	8-1/4	8-1/4	11-3/4	11-3/4	11-3/4	—
ITT												
B50					5-1/8	5-1/8	5-1/8	5-3/4	8-1/4	8-1/4	8-1/4	
HO					3-3/4	4-1/2	5-1/2	5-1/2	6-1/2			
H118						5-1/8	5-1/8	6-1/2	8-1/8	9-1/2	10-7/8	13-7/8
K3A					2-3/4	4	5-1/4	5-1/4				
K3E					4-1/2	4-1/2	5-1/4	6-1/2	8-1/8	9	9	14
V710					5-1/4	5-1/4	5-3/4	5-3/4	8-1/8	9	9	

FOOTNOTES: ^① 13-inch diaphragm. ^② 8-1/4 for V517/V518, 10-1/4 for V519. ^③ 6-inch valve was also manufactured. ^④ Single V5097 body with 2 pipe adapters installed.

VA44/VA84 GAS VALVE CROSS REFERENCE. ^①

Device to be Replaced ^②	Current Replacement	Specifications of the Device to be Replaced				Comments
		Valve Size (in.)	Capacity (cf/h) ^③	Voltage/Frequency	OPR Pressure (psi)	
VA44A1008	V48A2177	1-1/4	1060	120/60	0.5	
VA44A1016	V48A2185	1-1/2	1415	120/60	0.5	
VA44A1024	None	1-1/4	1060	120/50	0.5	International model
VA44A1032	None	1-1/2	1415	120/50	0.5	International model
VA44A1040	None	1-1/4	1060	208/60	0.5	
VA44A1057	None	1-1/4	1060	208/50	0.5	International model
VA44A1065	None	1-1/4	1060	220/50	0.5	International model
VA44A1073	None	1-1/4	1060	240/60	0.5	
VA44A1081	None	1-1/2	1415	240/60	0.5	
VA44A1099	V48A2169 ^④	1	775	120/50,60	0.5	International model
VA44A1107	None	1	775	120/50	0.5	
VA44A1115	None					Never produced
VA44A1123	None	1	775	220/50	0.5	International model
VA44A1131	None	1	775	240/50,60	0.5	
VA44A1149	V48A2169 ^④	1	775	120/50,60	0.5	
VA44A1156	V48A2169 ^④	1	775	120/50,60	0.5	
VA44A1164	None	1-1/2	1415	220/50	0.5	
VA44A1172	None	1	775	240/50,60	0.5	International model
VA44A1180	None	1-1/2	1415	208/60	0.5	
VA44A1198	None	1	775	240/50,60	0.5	Special, C.C. Evans Co.
VA44B1007	None	1-1/4	1060	120/60	0.5	With manual opener.
VA44B1015	None	1-1/2	1415	120/60	0.5	With manual opener.
VA44B1023	None	1-1/4	1060	120/50	0.5	With manual opener. International model.
VA44B1031	None	1-1/4	1060	240/60	0.5	With manual opener.
VA44B1049	None	1-1/2	1415	240/60	0.5	With manual opener.
VA44B1056	None	1-1/4	1415	240/50	0.5	With manual opener. International model.
VA44B1064	None	1	775	120/50,60	0.5	With manual opener.
VA44B1072	None					Never produced.

See Footnotes on page 4.

VA44/VA84 GAS VALVE CROSS REFERENCE (Continued).^①

Device to be Replaced ^②	Current Replacement	Specifications of the Device to be Replaced				Comments
		Valve Size (in.)	Capacity (cf/h) ^③	Voltage/Frequency	OPR Pressure (psi)	
VA44B1080	None	1	775	120/50,60	0.5	With manual opener.
VA44B1098	None	1-1/2	1415	120/50,60	0.5	With manual opener.
VA84A1004	V88A1626	1-1/4	1060	24/60	0.5	
VA84A1012	V88A1634	1-1/2	1415	24/60	0.5	
VA84A1020	None	1-1/4	1060	24/50	0.5	International model.
VA84A1038	V88A1618	1	775	24/60	0.5	
VA84A1046	None	1	775	24/50	0.5	International model.
VA84A1053	V88A1618	1	775	24/60	0.5	
VA84A1061	V88A1618 ^④	1	775	24/50,60	0.5	
VA84B1003	None	1-1/4	1060	24/60	0.5	With manual opener.
VA84B1011	None	1-1/2	1415	24/60	0.5	With manual opener.
VA84B1029	None	1-1/4	1060	24/50	0.5	International model. With manual opener.
VA84B1037	None	1	775	24/50,60	0.5	With manual opener.

FOOTNOTES:

- ① VA44/V84 are solenoid operated gas valves.
- ② Pilot tapping is 1/4 in. NPT.
- ③ Capacity indicated is for 1 in. w.c. pressure drop (0.64 specific gravity gas) across the valve.
- ④ Replacement is 60 Hz.

V48 DIAPHRAGM VALVE CROSS REFERENCE.

Device to be Replaced	Current Replacement		Specifications of the Device to be Replaced				Comments		
	V48 ^⑨	V4055A and V5055B Replacement Actuator And Valve ^② ^⑤	Valve Size (in.)	Capacity (cf/h) ^⑧	Voltage/Frequency	Maximum OPR Pressure (psi)			
V48A1005 ^②	V48A2227 ^⑩	V4055A1098, V5055B1010	1-1/4	2100	120/50,60	0.5			
V48A1013 ^②	V48A2185 ^⑩	V4055A1098, V5055B1028	1-1/2	2400	↓				
V48A1021 ^②	V48A2243 ^⑩	V4055A1098, V5055B1069	2	4178					
V48A1039 ^②	V48A2250 ^⑩	V4055A1098, V5055B1077	2-1/2	5100					
V48A1047 ^②	V48A2268 ^⑩	V4055A1098, V5055B1085	3	5562					
V48A1054 ^②	None ^①	None	2-1/2	5100				208/50,60	
V48A1062 ^②	↓	V4055A1114, V5055B1010	1-1/4	2100	240/50,60	↓			
V48A1070 ^②		V4055A1114, V5055B1028	1-1/2	2400					
V48A1088 ^②		V4055A1114, V5055B1069	2	4178					
V48A1096 ^②		V4055A1114, V5055B1077	2-1/2	5100					
V48A1104 ^②		V4055A1114, V5055B1085	3	5562					
V48A1112		V48A2151	V4055A1098, V5055B1234	3/4	668			120/50,60	
V48A1120	V48A2169	V4055A1098, V5055B1002	1	1021	↓				
V48A1138	V48A2177	V4055A1098, V5055B1010	1-1/4	2100					
V48A1146	V48A2185	V4055A1098, V5055B1028	1-1/2	2400					
V48A1153	V48A2243	V4055A1098, V5055B1069	2	4178					
V48A1161	V48A2250	V4055A1098, V5055B1077	2-1/2	5100					
V48A1179	V48A2268	V4055A1098, V5055B1085	3	5562					
V48A1187	None ^①	None	1-1/4	2100		208/50,60			
V48A1195	↓	None	1-1/2	2400	↓	↓			
V48A1203		None	2-1/2	5100	240/50,60				
V48A1211		V4055A1114, V5055B1002	1	1021					
V48A1229		V4055A1114, V5055B1010	1-1/4	2100					
V48A1237		V4055A1114, V5055B1028	1-1/2	2400					
V48A1245		V4055A1114, V5055B1069	2	4178					
V48A1252		V4055A1114, V5055B1077	2-1/2	5100					
V48A1260		V4055A1114, V5055B1085	3	5562					
V48A1278		None	3	5562	208/50,60				
V48A1286		None	2	4178	208/50,60				
V48A1294		V4055A1114, V5055B1234	3/4	668	240/50,60				
V48A1302		None	V4055A1130, V5055B1002	1	1021			220/50	0.5
V48A1310		V48A2334	V4055A1098, V5055B1002	1	1021			120/50,60	1.0

See Footnotes on page 11.

V48 DIAPHRAGM VALVE CROSS REFERENCE (Continued).

Device to be Replaced	Current Replacement		Specifications of the Device to be Replaced				Comments
	V48 ⁹	V4055A and V5055B Replacement Actuator And Valve ² ⁵	Valve Size (in.)	Capacity (cf/h) ⁸	Voltage/Frequency	Maximum OPR Pressure (psi)	
V48A1328 ²	V48A2227 ¹⁰	V4055A1098, V5055B1010	1-1/4	2100	120/50,60	1.0	International models.
V48A1336 ²	V48A2276 ¹⁰	V4055A1098, V5055B1028	1-1/2	2400	↓	↓	
V48A1344	None	V4055A1130, V5055B1069	2	4178	220/50	0.5	
V48A1351	None	V4055A1130, V5055B1002	1	1021	↓	↓	
V48A1369	None	V4055A1130, V5055B1028	1-1/2	2400	↓	↓	
V48A1377	None ¹	V4055A1114, V5055B1002	1	1021	240/50,60	1.0	
V48A1385 ²	None ¹	V4055A1114, V5055B1010	1-1/4	2100	240/50,60	↓	
V48A1393	V48A2177	V4055A1098, V5055B1010	↓	2100	120/50,60		
V48A1401	None ¹	V4055A1114, V5055B1010	↓	2100	240/50,60		
V48A1419 ²	None ¹	V4055A1114, V5055B1028	1-1/2	2400	240/50,60		
V48A1427	V48A2276	V4055A1098, V5055B1028	↓	2400	120/50,60		
V48A1435	None ¹	V4055A1114, V5055B1028	↓	2400	240/50,60		
V48A1443	None	V4055A1098, V5055B1234	3/4	668	120/50,60		
V48A1450	None	V4055A1114, V5055B1234	3/4	668	240/50,60		
V48A1468	V48A2243	V4055A1098, V5055B1069	2	4178	120/50,60		
V48A1476	None ¹	V4055A1114, V5055B1069	↓	4178	240/50,60		
V48A1484 ²	V48A2243 ¹⁰	V4055A1098, V5055B1069	↓	4178	120/50,60		
V48A1492 ²	None ¹	V4055A1114, V5055B1069	↓	4178	240/50,60		
V48A1500	V48A2250	V4055A1098, V5055B1077	2-1/2	5100	120/50,60		
V48A1518	None ¹	V4055A1114, V5055B1077	↓	5100	240/50,60		
V48A1526 ²	V48A2250 ¹⁰	V4055A1098, V5055B1077	↓	5100	120/50,60		
V48A1534 ²	None ¹	V4055A1114, V5055B1077	↓	5100	240/50,60		
V48A1542	V48A2268	V4055A1098, V5055B1077	3	5562	120/50,60		
V48A1559	None ¹	V4055A1114, V5055B1085	↓	5562	240/50,60		
V48A1567 ²	V48A2268 ¹⁰	V4055A1098, V5055B1085	↓	5562	120/50,60		
V48A1575 ²	None ¹	V4055A1114, V5055B1085	↓	5562	240/50,60		
V48A1583	V48A2151 ³	V4055A1098, V5055B1234 ³	1/2		120/50,60	0.5	
V48A1591	None ¹	V4055A1114, V5055B1234 ³	↓		240/50,60	↓	
V48A1609	None ¹	None	↓		208/50,60	↓	
V48A1617	None ¹	None	3/4	668	208/50,60	↓	
V48A1625	V48A2284	V4055A1130, V5055B1093	1	1021	220/50	1.0	BSP threads and metric screw; International model.
V48A1633	V48A2292	None	1-1/4	2100	↓	↓	

See Footnotes on page 11.

V48 DIAPHRAGM VALVE CROSS REFERENCE (Continued).

Device to be Replaced	Current Replacement		Specifications of the Device to be Replaced				Comments
	V48 ^⑨	V4055A and V5055B Replacement Actuator And Valve ^② ^⑤	Valve Size (in.)	Capacity (cf/h) ^⑧	Voltage/Frequency	Maximum OPR Pressure (psi)	
V48A1641	V48A2300	V4055A1130, V5055B1119	1-1/2	2400	220/50	1.0	BSP threads and metric screw; International model.
V48A1658	V40A2151	V4055A1098, V5055B1234	3/4	668	120/50,60	0.5	
V48A1666	V48A2169	V4055A1098, V5055B1002	1	1021	↓	↓	
V48A1674	V48A2177	V4055A1098, V5055B1010	1-1/4	2100			
V48A1682	V48A2185	V4055A1098, V5055B1028	1-1/2	2400			
V48A1690	None ^① ↓	V4055A1114, V5055B1002	1	1021	240/50,60	0.5	
V48A1708		V4055A1114, V5055B1010	1-1/4	2100	↓	↓	
V48A1716		V4055A1114, V5055B1028	1-1/2	2400			
V48A1724		V4055A1114, V5055B1234	3/4	668			
V48A1732	None	V4055A1130, V5055B1002	1	1021	220/50	1.0	International model.
V48A1740	None	V4055A1130, V5055B1028	1-1/2	2400	220/50	1.0	International model.
V48A1757	V48A2334	V4055A1098, V5055B1002	1	1021	120/50,60	1.0 ↓	
V48A1765 ^②	V48A2227 ^⑩	V4055A1098, V5055B1010	1-1/4	2100	↓		
V48A1773 ^②	V48A2276 ^⑩	V4055A1098, V5055B1028	1-1/2	2400			
V48A1781	None ^①	V4055A1114, V5055B1002	1	1021	240/50,60		
V48A1799 ^②	None ^①	V4055A1114, V5055B1010	1-1/4	2100	240/50,60		
V48A1807	V48A2342	V4055A1098, V5055B1010	↓	2100	120/50,60		
V48A1815	None ^①	V4055A1114, V5055B1010		2100	240/50,60		
V48A1823 ^②	None ^①	V4055A1114, V5055B1028	1-1/2	2400	240/50,60		
V48A1831	V48A2276	V4055A1098, V5055B1028	↓	2400	120/50,60		
V48A1849	None ^①	V4055A1114, V5055B1028		2400	240/50,60		
V48A1856	V48A2243	V4055A1098, V5055B1069		2	4178		
V48A1864	None ^①	V4055A1114, V5055B1069	↓	4178	240/50,60		
V48A1872 ^②	V48A2243 ^⑩	V4055A1098, V5055B1069		4178	120/50,60		
V48A1889 ^②	None ^①	V4055A1114, V5055B1069		4178	240/50,60		
V48A1898	V48A2250	V4055A1098, V5055B1077		2-1/2	5100		
V48A1906	None ^①	V4055A1114, V5055B1077	↓	5100	240,50/60		
V48A1914 ^②	V48A2250 ^⑩	V4055A1098, V5055B1077		5100	120/50,60		
V48A1922 ^②	None ^①	V4055A1114, V5055B1077		5100	240,50/60		
V48A1930	V48A2268	V4055A1098, V5055B1085		3	5562		
V48A1948	None ^①	V4055A1114, V5055B1085	↓	5562	240/50,60		
V48A1955 ^②	V48A2268 ^⑩	V4055A1098, V5055B1085		5562	120/50,60		

See Footnotes on page 11.

V48 DIAPHRAGM VALVE CROSS REFERENCE (Continued).

Device to be Replaced	Current Replacement		Specifications of the Device to be Replaced				Comments	
	V48 ^⑨	V4055A and V5055B Replacement Actuator And Valve ^② ^⑤	Valve Size (in.)	Capacity (cf/h) ^⑧	Voltage/Frequency	Maximum OPR Pressure (psi)		
V48A1963 ^②	None ^①	V4055A1114, V5055B1085	3	5562	240/50,60	1.0		
V48A1971	V48A2151 ^③	V4055A1098, V5055B1234 ^③	1/2		120/50,60	0.5	International models; BSP PL thread.	
V48A1989	None ^①	V4055A1114, V5055B1234 ^③	↓		240/50,60	↓		
V48A1997	↓	None	↓		208/50,60	↓		
V48A2003	↓	None	3/4	668	208/50,60	↓		
V48A2011	V48A2284	V4055A1130, V5055B1093	1	1021	220/50	↓		
V48A2029	V48A2292	None	1-1/4	2100	↓	↓		
V48A2037	V48A2300	V4055A1130, V5055B1119	1-1/2	2400	↓	↓		
V48A2045	V40A2318	V4055A1130, V5055B1127	2	4178	↓	1.0		
V48A2052	V48A2177 ^④	V4055A1064, V5055B1010	1-1/4	2100	120/50,60	0.5		With 0.006 orifice in bleed.
V48A2060	V48A2185 ^④	V4055A1098, V5055B1028	1-1/2	2400	↓	↓		With 0.011 orifice in bleed.
V48A2078	V48A2177 ^④	V4055A1064, V5055B1010	1-1/4	2100	↓	↓	With 0.008 orifice in bleed.	
V48A2086	V48A2177 ^④	V4055A1098, V5055B1010	1-1/4	2100	↓	↓	With 0.011 orifice in bleed.	
V48A2094	V48A2185 ^④	V4055A1098, V5055B1028	1-1/2	2400	↓	↓	With 0.18 orifice in bleed.	
V48A2102 ^②	V48A2243 ^⑩	V4055A1098, V5055B1069	2	4178	↓	1.0		
V48A2110	V48A2334	V4055A1098, V5055B1002	1	1021	↓	↓		
V48A2128	V48A2342	V4055A1098, V5055B1010	1-1/4	2100	↓	↓		
V48A2136	V48A2169 ^④	V4055A1064, V5055B1002	1	1021	↓	0.5	With 0.006 orifice and coupling assembly.	
V48A2144	None	V4055A1098, V5055B1002	1	1021	↓	↓	Minus 40° F rating.	
V48A2151	V48A2151	V4055A1098, V5055B1234	3/4	668	120/60	↓		
V48A2169	V48A2169	V4055A1098, V5055B1002	1	1021	↓	↓		
V48A2177	V48A2177	V4055A1098, V5055B1010	1-1/4	2100	↓	↓		
V48A2185	V48A2185	V4055A1098, V5055B1028	1-1/2	2400	↓	↓		
V48A2193	None ^①	V4055A1114, V5055B1002	1	1021	240/60	↓		
V48A2201	↓	V4055A1114, V5955B1010	1-1/4	2100	↓	↓		
V48A2219	↓	V4055A1114, V5055B1234	3/4	668	↓	↓		
V48A2227 ^②	V48A2227 ^②	V4055A1098, V5055B1010	1-1/4	2100	120/60	1.0		
V48A2235 ^②	V48A2276 ^⑩	V4055A1098, V5055B1028	1-1/2	2400	↓	↓		
V48A2243	V48A2243	V4055A1098, V5055B1069	2	4178	↓	↓		
V48A2250	V48A2250	V4055A1098, V5055B1077	2-1/2	5100	↓	↓		
V48A2268	V48A2268	V4055A1098, V5055B1085	3	5562	↓	↓		
V48A2276	V48A2276	V4055A1098, V5055B1028	1-1/2	2400	↓	↓		

See Footnotes on page 11.

V48 DIAPHRAGM VALVE CROSS REFERENCE (Continued).

Device to be Replaced	Current Replacement		Specifications of the Device to be Replaced				Comments	
	V48 ^⑨	V4055A and V5055B Replacement Actuator And Valve ^② ^⑤	Valve Size (in.)	Capacity (cf/h) ^⑧	Voltage/Frequency	Maximum OPR Pressure (psi)		
V48A2284	V48A2284	V4055A1130, V5055B1093	1	1021	220/50	1.0	International models; BSP PL thread.	
V48A2292	V46A2292	None	1-1/4	2100	↓	↓		
V48A2300	V48A2300	V4055A1130, V5055B1119	1-1/2	2400	↓	↓		
V48A2318	V48A2318	V4055A1130, V5055B1127	2	4178	↓	↓		
V48A2326 ^②	V48A2243 ^⑩	V4055A1098, V5055B1069	2	4178	120/60	↓		
V48A2334	V48A2334	V4055A1098, V5055B1002	1	1021	↓	↓		
V48A2342	V48A2342	V4055A1098, V5055B1010	1-1/4	2100	↓	↓		
V48A2359	None	V4055A1098, V5055B1002	1	2100	↓	0.5		Minus 40° F rating.
V48A2367	None	V4055A1239, V5055B1069	2	4178	240/50	1.0		International models; BSP PL thread and metric terminal screws.
V48A2375	None	V4055A1130, V5055B1135	2-1/2	5100	220/50	↓		
V40A2383	V48A2383	V4055A1130, V5055B1143	3	5562	↓	↓	International models; BSP PL threads.	
V48A2391	V48A2391	V4055A1213, V5055B1093	1	1021	100/50,60	0.5		
V48A2409	V48A2409	None	1-1/4	2100	↓	↓		
V48A2417	V48A2417	V4055A1213, V5055B1119	1-1/2	2400	↓	↓		
V48A2425	V48A2425	V4055A1213, V5055B1127	2	4178	↓	1.0		
V48B1003	V48A2151 ^⑥	V4055A1098, V5055B1234 ^⑥	3/4	668	120/50,60	0.5	With manual opener.	
V48B1011	V48A2169 ^⑥	V4055A1098, V5055B1002 ^⑥	1	1021	↓	↓		
V48B1029	V48A2177 ^⑥	V4055A1098, V5055B1010 ^⑥	1-1/4	2100	↓	↓		
V48B1037	V48A2185 ^⑥	V4055A1098, V5055B1028 ^⑥	1-1/2	2400	↓	↓		
V48B1045	V48A2243 ^⑥	V4055A1098, V5055B1028 ^⑥	2	4178	↓	↓		
V48B1052	V48A2250 ^⑥	V4055A1098, V5055B1069 ^⑥	2-1/2	5100	↓	↓		
V48B1060	V48A2268 ^⑥	V4055A1098, V5055B1077 ^⑥	3	5562	↓	↓		
V48B1078	None ^① ↓	V4055A1114, V5055B1002 ^⑥	1	1021	240/50,60	↓		
V48B1086		V4055A1114, V5055B1010 ^⑥	1-1/4	2100	↓	↓		
V48B1094		V4055A1114, V5055B1028 ^⑥	1-1/2	2400	↓	↓		
V48B1102		V4055A1114, V5055B1077 ^⑥	2-1/2	5100	↓	↓		
V48C							Never produced.	
V48D1009	^⑦	None ^⑦	1-1/4	2100	—	—	Midco International special.	

See Footnotes on page 11.

V48 DIAPHRAGM VALVE CROSS REFERENCE (Continued).

Device to be Replaced	Current Replacement		Specifications of the Device to be Replaced				Comments
	V48 ^⑨	V4055A and V5055B Replacement Actuator And Valve ^② ^⑤	Valve Size (in.)	Capacity (cf/h) ^⑧	Voltage/Frequency	Maximum OPR Pressure (psi)	
V48F1004	V48F1103	V4055A1098, V5055B1069	2	4178	120/60	5.0	
V48F1012	None	V4055A1098, V5055B1077	2-1/2	5100	↓		
V48F1020	None	V4055A1098, V5055B1085	3	5562	↓		
V48F1038	None	None	2 ↓	4178	120/50		
V48F1046	None	None		4178	120/50		
V48F1053	None ^①	None		4178	208/60		
V48F1061	↓	None	3	5562	208/60		
V48F1079		V4055A1114, V5055B1069	2	4178	240/50,60		
V48F1087		V4055A1114, V5055B1077	2-1/2	5100	↓		
V48F1095		V4055A1114, V5055B1085	3	5562	↓		
V48F1103		V48F1103	V4055A1098, V5055B1069	2	4178		
V48F1111	None	V4055A1098, V5055B1077	2-1/2	5100	↓		
V48F1129	None	V4055A1098, V5055B1085	3	5562	↓		
V48G1002	V48F1103 ^⑥	V4055A1098, V5055B1069 ^⑥	2	4178	120/50,60		
V48G1010	None	V4055A1098, V5055B1077 ^⑥	2-1/2	5100	120/60		
V48G1028	None	V4055A1098, V5055B1085 ^⑥	3	5562	120/60		
V48G1036	None ^①	V4055A 1114, V5055B1069 ^⑥	2	4178	240/50,60		
V48G1044	↓	V4055A1114, V5055B1077 ^⑥	2-1/2	5100	↓		
V48G1051		V4055A1114, V5055B1085 ^⑥	3	5562	↓		
V48H1000	None	V4055A1098, V5055B1002	1	1021	120/60	1.0	Minus 40° F rated.
V48H1018	None	V4055A1098, V5055B1010	1-1/4	2100	120/60	1.0	Minus 40° F rated.
V48J1005	V48J1005	V4055A1098, V5055B1234	3/4	668	120/60 ↓	1.0 ↓	150° F rated. ↓
V48J1013	V48J1013	V4055A1098, V5055B1002	1	1021			
V48J1021	V48J1021	V4055A1098, V5055B1010	1-1/4	2100			
V48J1039	V48J1039	V4055A1098, V5055B1028	1-1/2	2400			
V48J1047	V48J1047	V4055A1098, V5055B1069	2	4178			

See Footnotes on page 11.

FOOTNOTES:

- ① On 208V or 240V applications, one of the following three alternatives are recommended:
 - a. Modernize system to 120 volt. Replacement V48A,J models do not have position indicator.
 - b. Use the V4055/V5055 as shown.
 - c. Use a V88 of the same size and a 208 volt or 240 volt to 24 volt (AT20 or AT72) transformer.
- ② Valve position indicator.
- ③ 1/2 inch valve is not available; use a 3/4 inch replacement valve and appropriate coupling adapter.
- ④ V48 replacement valve does not include orifice.
- ⑤ Rated for minus 40° F.
- ⑥ Replacement does not have manual opener feature.
- ⑦ Contact Midco International, 4140 West Victoria Street, Chicago, IL 60646 for replacement and service instructions.
- ⑧ Capacity indicated is for 1 in. w.c. pressure drop (0.64 special gravity gas) across the valve.
- ⑨ Replacement is 60 Hz unless indicated otherwise.
- ⑩ Replacement does not have position indicator.

V48A DIAPHRAGM VALVE CROSS REFERENCE

Device to Be Replaced	Current Replacement		Specifications of the Device to be Replaced				Comments
	V48 ⁹	V4055A and V5097B Replacement Actuator, Valve, and Pipe Adapter ² ⁵	Valve Size in in.	Capacity (cfh) ⁸	Voltage/Frequency	Maximum OPR Pressure (psi)	
V48A1005 ²	V48A2227 ¹⁰	V4055A1098,V5097B1002, 32000109-003	1-1/4	2100	120/50,60	0.5	
V48A1013 ²	V48A2185 ¹⁰	V4055A1098,V5097B1002, 32000109-004	1-1/2	2400	↓		
V48A1021 ²	V48A2243 ¹⁰	V4055A1098,V5097B1010, 32001605-001	2	4178			
V48A1039 ²	V48A2250 ¹⁰	V4055A1098,V5097B1010, 32001605-002	2-1/2	5100			
V48A1047 ²	V48A2268 ¹⁰	V4055A1098,V5097B1010, 32001605-003	3	5562			
V48A1054 ²	None ¹ ↓	None	2-1/2	5100			208/50,60
V48A1062 ²		V4055A1114,V5097B1002, 32000109-003	1-1/4	2100	240/50,60		
V48A1070 ²		V4055A1114,V5097B1002, 32000109-004	1-1/2	2400	↓		
V48A1088 ²		V4055A1114,V5097B1010, 32001605-001	2	4178			
V48A1096 ²		V4055A1114,V5097B1010, 32001605-002	2-1/2	5100			
V48A1104 ²		V4055A1114,V5097B1010, 32001605-003	3	5562			
V48A1112	V48A2151	V4055A1098,V5097B1002, 32000109-001	3/4	668	120/50,60		
V48A1120	V48A2169	V4055A1098,V5097B1002, 32000109-002	1	1021	↓		
V48A1138	V48A2177	V4055A1098,V5097B1002, 32000109-003	1-1/4	2100			
V48A1146	V48A2185	V4055A1098,V5097B1002, 32000109-004	1-1/2	2400	120/50,60		
V48A1153	V48A2243	V4055A1098,V5097B1010, 32001605-001	2	4178	↓		
V48A1161	V48A2250	V4055A1098,V5097B1010, 32001605-002	2-1/2	5100			
V48A1179	V48A2268	V4055A1098,V5097B1010, 32001605-003	3	5562			
V48A1187	None ¹ ↓	None	1-1/4	2100			208/50,60
V48A1195		None	1-1/2	2400			
V48A1203		None	2-1/2	5100	240/50,60		
V48A1211		V4055A1114,V5097B1002, 32000109-002	1	1021			

See Footnotes on page 19.

V48A DIAPHRAGM VALVE CROSS REFERENCE (Continued)

Current Replacement			Specifications of the Device to be Replaced				Comments		
Device to Be Replaced	V48 ⁹	V4055A and V5097B Replacement Actuator, Valve, and Pipe Adapter ² ₅	Valve Size in in.	Capacity (cfh) ⁸	Voltage/Frequency	Maximum OPR Pressure (psi)			
V48A1229	None ↓	V4055A1114,V5097B1002, 32000109-003	1-1/4	2100	120/50 , 60 ↓	0.5 ↓			
V48A1237		V4055A1114,V5097B1002, 32000109-004	1-1/2	2400					
V48A1245		V4055A1114,V5097B1010, 32001605-001	2	4178					
V48A1252		V4055A1114,V5097B1010, 32001605-002	2-1/2	5100					
V48A1260		V4055A1114,V097B1010, 32001605-003	3	5562					
V48A1278		None	3	5562			208/50,60		
V48A1286		None	2	4178			208/50,60		
V48A1294		V4055A1114,V5097B1002, 32000109-001	3/4	668			240/50,60		
V48A1302		V4055A1130,V5097B1002, 32000109-002	1	1021			220/50	0.5	International model.
V48A1310		V48A2334	V4055A1098,V5097B1002, 32000109-002	1			1021	120/50,60	1.0
V48A1328 ²	V48A2227 ¹⁰	V4055A1098,V5097B1002, 32000109-003	1-1/4	2100	120/50,60 ↓	1.0 ↓			
V48A1336 ²	V48A2276 ¹⁰	V4055A1098,V5097B1002, 32000109-004	1-1/2	2400	↓	↓			
V48A1344	None	V4055A1130,V5097B1010, 32001605-001	2	4178	220/50 ↓	0.5 ↓	International models.		
V48A1351	None	V4055A1130,V5097B1002, 32000109-002	1	1021	↓	↓			
V48A1369	None	V4055A1130,V5097B1002, 32000109-004	1-1/2	2400	↓	↓			
V48A1377	None ¹	V4055A1114,V5097B1002, 32000109-002	1	1021	240/50,60	1.0			
V48A1385 ²	None ¹	V4055A1114,V5097B1002, 32000109-003	1-1/4 ↓	2100	240/50,60	↓			
V48A1393	V48A2177	V4055A1098,V5097B1002, 32000109-003		2100	120/50,60				
V48A1401	None ¹	V4055A1114,V5097B1002, 32000109-003		2100	240/50,60				
V48A1419 ²	None ¹	V4055A1114,V5097B1002, 32000109-004		1-1/2	2400		240/50,60		
V48A1427	V48A2276	V4055A1098,V5097B1002, 32000109-004	↓	2400	120/50,60	↓			

13

V48A DIAPHRAGM VALVE CROSS REFERENCE (Continued)

Current Replacement			Specifications of the Device to be Replaced				Comments	
Device to Be Replaced	V48 ⁹	V4055A and V5097B Replacement Actuator, Valve, and Pipe Adapter ² ⁵	Valve Size in in.	Capacity (cfh) ⁸	Voltage/Frequency	Maximum OPR Pressure (psi)		
V48A1435	None ¹	V4055A1114,V5097B1002, 32000109-004	1-1/2	2400	240/50,60	1.0		
V48A1443	None	V4055A1098,V5097B1002, 32000109-001	3/4	668	120/50,60	↓		
V48A1450	None	V4055A1114,V5097B1002, 32000109-001	3/4	668	240/50,60			
V48A1468	V48A2243	V4055A1098,V5097B1010, 32001605-001	2	4178	120/50,60			
V48A1476	None ¹	V4055A1114,V5097B1010, 32001605-001	↓	4178	240/50,60	1.0		
V48A1484 ²	V48A2243 ¹⁰	V4055A1098,V5097B1010, 32001605-001		4178	120/50,60			
V48A1492 ²	None ¹	V4055A1114,V5097B1010, 32001605-001		4178	240/50,60			
V48A1500	V48A2250	V4055A1098,V5097B1010, 32001605-002		2-1/2	5100	120/50,60		
V48A1518	None ¹	V4055A1114,V5097B1010, 32001605-002	↓	5100	240/50,60			
V48A1526 ²	V48A2250 ¹⁰	V4055A1098,V5097B1010, 32001605-002		5100	120/50,60			
V48A1534 ²	None ¹	V4055A1114,V5097B1010, 32001605-002		5100	240/50,60			
V48A1542	V48A2268	V4055A1098,V5097B1010, 32001605-003	↓	5562	120/50,60	↓		
V48A1559	None ¹	V4055A1114,V5097B1010, 32001605-003		5562	240/50,60			
V48A1567 ²	V48A2268 ¹⁰	V4055A1098,V5097B1010, 32001605-003		5562	120/50,60			
V48A1575 ²	None ¹	V4055A1114,V5097B1010, 32001605-003		5562	240/50,60			
V48A1583	V48A2151 ³	V4055A1098,V5097B1002, 32000109-001 ³	1/2	↓	120/50,60		0.5	
V48A1591	None ¹	V4055A1114,V5097B1002, 32000109-001 ³	↓		240/50,60		↓	
V48A1658	V40A2151	V4055A1098,V5097B1002, 32000109-001	3/4	668	120/50,60		0.5	↓
V48A1666	V48A2169	V4055A1098,V5097B1002, 32000109-002	1	1021				
V48A1674	V48A2177	V4055A1098,V5097B1002, 32000109-003	1-1/4	2100	120/50,60		0.5	

See Footnotes on page 19.

V48A DIAPHRAGM VALVE CROSS REFERENCE (Continued)

Current Replacement			Specifications of the Device to be Replaced				Comments	
Device to Be Replaced	V48 ^⑨	V4055A and V5097B Replacement Actuator, Valve, and Pipe Adapter ^② ^⑤	Valve Size in in.	Capacity (cfh) ^⑧	Voltage/Frequency	Maximum OPR Pressure (psi)		
V48A1682	V48A2185	V4055A1098,V5097B1002, 32000109-004	1-1/2	2400	120/50, 60`	0.5		
V48A1690	None ^① ↓	V4055A1114,V5097B1002, 32000109-002	1	1021	240/50,60	↓		
V48A1708		V4055A1114,V5097B1002, 32000109-003	1-1/4	2100				
V48A1716		V4055A1114,V5097B1002, 32000109-004	1-1/2	2400				
V48A1724		V4055A1114,V4097B1002, 32000109-001	3/4	668				
V48A1732		None	V4055A1130,V5097B1002, 32000109-002	1	1021		220/50	International model.
V48A1740	None	V4055A1130,V5097B1002, 32000109-004	1-1/2	2400	220/50	International model.		
V48A7157	V48A2334	V4055A1098,V5097B1002, 32000109-002	1	1021	120/50,60	1.0		
V48A1765 ^②	V48A2227 ^⑩	V4055A1098,V5097B1002, 32000109-003	1-1/4	2100	↓	↓		
V48A1773 ^②	V48A2276 ^⑩	V4055A1098,V5097B1002, 32000109-004	1-1/2	2400				
V48A1781	None ^①	V4055A1114,V5097B1002, 32000109-002	1	1021			240/50,60	
V48A1799 ^②	None ^①	V4055A1114,V5097B1002, 32000109-003	1-1/4	2100	240/50,60	↓		
V48A1807	V48A2342	V4055A1098,V5097B1002, 32000109-003	↓	2100	120/50,60			
V48A1815	None ^①	V4055A1114,V5097B1002, 32000109-003		2100	240/50,60			
V48A1823 ^②	None ^①	V4055A1114,V5097B1002, 32000109-004	1-1/2	2400	240/50,60	1.0		
V48A1831	V48A2276	V4055A1098,V5097B1002, 32000109-004	↓	2400	120/50,60	↓		
V48A1849	None ^①	V4055A1114,V5097B1002, 32000109-004		2400	240/50,60			
V48A1856	V48A2243	V4055A1098,V5097B1010, 32001605-001		2	4178		120/50,60	
V48A1864	None ^①	V4055A1114,V5097B1010, 32001605-001	↓	4178	240/50,60	↓		
V48A1872 ^②	V48A2243 ^⑩	V4055A1098,V5097B1010, 32001605-001		4178	120/50,60			

See Footnotes on page 19.

V48A DIAPHRAGM VALVE CROSS REFERENCE (Continued)

Current Replacement			Specifications of the Device to be Replaced				Comments	
Device to Be Replaced	V48 ^⑨	V4055A and V5097B Replacement Actuator, Valve, and Pipe Adapter ^{②⑤}	Valve Size in in.	Capacity (cfh) ^⑧	Voltage/Frequency	Maximum OPR Pressure (psi)		
V48A1889 ^②	None ^①	V4055A1114, V0597B1010, 32001605-001	2	4178	240/50,60	1.0		
V48A1898	V48A2250	V4055A1098, V5097B1010, 32001605-002	↓	5100	120/50,60	↓		
V48A1906	None ^①	V4055A1114, V5097B1010, 32001605-002		5100	240/50,60			
V48A1914 ^②	V48A2250 ^⑩	V4055A1098, V5097B1010, 32001605-002		5100	120/50,60			
V48A1922 ^②	None ^①	V4055A1114, V5097B1010, 32001605-002		5100	240/50,60			
V48A1930	V48A2268	V4055A1098, V5097B1010, 32001605-003		3	5562		120/50,60	
V48A1948	None ^①	V4055A1114, V5097B1010, 32001605-003	↓	5562	240/50,60			
V48A1955 ^②	V48A2268 ^⑩	V4055A1098, V5097B1010, 32001605-003		5562	120/50,60			
V48A1963 ^②	None ^①	V4055A1114, V5097B1010, 32001605-003		3	5562	240/50,60		
V48A1971	V48A2151 ^③	V4055A1098, V5097B1002, 32000109-001	↓	↓	120/50,60	↓		
V48A1989	None ^①	V4055A1114, V5097B1002, 32000109-001			240/50,60			
V48A2052	V48A2177 ^④	V4055A1064, V5097B1002, 32000109-003	1-1/4	2100	120/50,60	↓	With 0.006 orifice in bleed.	
V48A2060	V48A2185 ^④	V4055A1098, V5097B1002, 32000109-004	1-1/2	2400			With 0.011 orifice in bleed.	
V48A2078	V8A2177 ^④	V4055A1064, V5097B1002, 32000109-003	1-1/4	2100			With 0.008 orifice in bleed.	
V48A2086	V48A2177 ^④	V4055A1098, V5097B1002, 32000109-003	1-1/4	2100			With 0.011 orifice in bleed.	
V48A2094	V48A2185 ^④	V4055A1098, V5097B1002, 32000109-004	1-1/2	2400			With 0.018 orifice in bleed.	
V48A2102 ^②	V48A2243 ^⑩	V4055A1098, V5097B1010, 32001605-001	2	4178			1.0	
V48A2110	V48A2334	V4055A1098, V5097B1002, 32000109-002	1	1021				
V48A2128	V48A2342	V4055A1098, V5097B1002, 32000109-003	1-1/4	2100				
V48A2136	V48A2169 ⁴	V4055A1064, V5097B1002, 32000109-002	1	1021		0.5	With 0.006 orifice and coupling assembly.	

See Footnotes on page 19.

V48A DIAPHRAGM VALVE CROSS REFERENCE (Continued)

Current Replacement			Specifications of the Device to be Replaced				Comments		
Device to Be Replaced	V48 ⁹	V4055A and V5097B Replacement Actuator, Valve, and Pipe Adapter ² ₅	Valve Size in in.	Capacity (cfh) ⁸	Voltage/Frequency	Maximum OPR Pressure (psi)			
V48A2144	None	V4055A1098,V5097B1002, 32000109-002	1	1021	120/50,60	0.5	Minus 40°F (-40°C) rating.		
V48A2151	V48A2151	V4055A1098,V5097B1002, 32000109-001	3/4	668	120/60	↓			
V48A2169	V48A2169	V4055A1098,V5097B1002, 32000109-002	1	1021	↓				
V48A2177	V48A2177	V4055A1098,V5097B1002, 32000109-003	1-1/4	2100					
V48A2185	V48A2185	V4055A1098,V5097B1002, 32000109-004	1-1/2	2400					
V48A2193	None ¹ ↓	V4055A1114,V5097B1002, 32000109-002	1	1021	240/60		↓		
V48A2201		V4055A1114,V5097B1002, 32000109-003	1-1/4	2100					
V48A2219		V4055A1114,V5097B1002, 32000109-001	3/4	668					
V48A2227 ²	V48A2227 ²	V4055A1098,V5097B1002, 32000109-003	1-1/4	2100	120/60	1.0			
V48A2235 ²	V48A2276 ¹⁰	V4055A1098,V5097B1002, 32000109-004	1-1/2	2400	↓	↓			
V48A2243	V48A2243	V4055A1098,V5097B1010, 32001605-001	2	4178					
V48A2250	V48A2250	V4055A1098,V5097B1010, 32001605-002	2-1/2	5100					
V48A2268	V48A2268	V4055A1098,V5097B1010, 32001605-003	3	5562					
V48A2276	V48A2276	V4055A1098,V5097B1002, 32000109-004	1-1/2	2400					
V48A2359	None	V4055A1098,V5097B1002, 32000109-002	1	2100			0.5	Minus 40°F (-40°C) rating.	
V48A2367	None	V4055A1239,V5097B1010, 32001605-001	2	4178			240/50	1.0	International models; BSP PL thread and metric terminals screws.
V48A2375	None	V4055A1130,V5097B1010, 32001605-002	2-1/2	5100			220/50	↓	
V48A2383	V48A2383	V4055A1130,V5097B1010, 32001605-003	3	5562			↓		
V48B1003	V48A2151 ⁶	V4055A1098,V5097B1002, 32000109-001	3/4	668			120/50,60	0.5	With manual opener.

See Footnotes on page 19.

V48A DIAPHRAGM VALVE CROSS REFERENCE (Continued)

Current Replacement			Specifications of the Device to be Replaced				Comments
Device to Be Replaced	V48 ^⑨	V4055A and V5097B Replacement Actuator, Valve, and Pipe Adapter ^② ^⑤	Valve Size in in.	Capacity (cfh) ^⑧	Voltage/Frequency	Maximum OPR Pressure (psi)	
V48B1011	V48A2169 ^⑥	V4055A1098,V5097B1002, 32000109-002	1	1021	120/50,60	0.5	With manual opener.
V48B1029	V48A2177 ^⑥	V4055A1098,V5097B1002, 32000109-003	1-1/4	2100	↓	↓	
V48B1037	V48A2185 ^⑥	V4055A1098,V5097B1002, 32000109-004	1-1/2	2400			
V48B1045	V48A2243 ^⑥	V4055A1098,V5097B1010, 32001605-001	2	4178			
V48B1052	V48A2250 ^⑥	V4055A1098,V5097B1010, 32001605-002	2-1/2	5100			
V48B1060	V48A2268 ^⑥	V4055A1098,V5097B1010, 32001605-003	3	5562			
V48B1078	None ^① ↓	V4055A1114,V5097B1002, 32000109-002	1	1021	240/50,60	↓	
V48B1086		V4055A1114,V5097B1002, 32000109-003	1-1/4	2100			
V48B1094		V4055A1114,V5097B1002, 32000109-004	1-1/2	2400			
V48B1102		V4055A1114,V5097B1010, 32001605-002	2-1/2	5100			
V48F1004	V48F1103	V4055A1098,V5097B1010, 32001605-001	2	4178	120/60	5.0	
V48F1012	None	V4055A1098,V5097B1010, 32001605-002	2-1/2	5100	↓		
V48F1020	None	V4055A1098,V5097B1010, 32001605-003	3	5562			
V48F1079	None ^① ↓	V4055A1114,V5097B1010, 32001605-001	2	4178	240/50,60		
V48F1087		V4055A1114,V5097B1010, 32001605-002	2-1/2	5100			
V48F1095	None ^①	V4055A1114,V5097B1010, 32001605-003	3	5562	↓		
V48F1103	V48F1103	V4055A1098,V5097B1010, 32001605-001	2	4178	120/60		
V48F1111	None	V4055A1098,V5097B1010, 32001605-002	2-1/2	5100	↓		
V84F1129	None	V4055A1098,V5097B1010, 32001605-003	3	5562			

See Footnotes on page 19.

V48A DIAPHRAGM VALVE CROSS REFERENCE (Continued)

Current Replacement			Specifications of the Device to be Replaced				Comments
Device to Be Replaced	V48 ^⑨	V4055A and V5097B Replacement Actuator, Valve, and Pipe Adapter ^② ^⑤	Valve Size in in.	Capacity (cfh) ^⑧	Voltage/Frequency	Maximum OPR Pressure (psi)	
V48G1002	V48F1103 ^⑥	V4055A1098,V5097B1010, 32001605-001	2	4178	120/50,60	5.0 ↓	With manual opener.
V48G1010	None	V4055A1098,V5097B1010, 32001605-002	2-1/2	5100	120/60		
V48G1028	None	V4055A1098,V5097B1010, 32001605-003	3	5562	120/60		
V48G1036	None ^① ↓	V4055A1114,V5097B1010, 32001605-001	2	4178	240/50,60		
V48G1044		V4055A1114,V5097B1010, 32001605-002	2-1/2	5100	↓		
V48G1051		V4055A1114,V5097B1010, 32001605-003	3	5562			↓
V48H1000	None	V4055A1098,V5097B1002, 32000109-002	1	1021	120/60	1.0	Minus 40°F (-40°C) rating.
V48H1018	None	V4055A1098,V5097B1010, 32000109-003	1-1/4	2100	120/60	1.0	Minus 40°F (-40°C) rating.
V48J1005	V48J1005	V4055A1098,V5097B1002, 32000109-001	3/4	668	120/60	1.0 ↓	150°F (66°C) rated.
V48J1013	V48J1013	V4055A1098,V5097B1002, 32000109-002	1	1021	↓		
V48J1021	V48J1021	V4055A1098,V5097B1002, 32000109-003	1-1/4	2100			↓
V48J1039	V48J1039	V4055A1098,V5097B1002, 32000109-004	1-1/2	2400	120/60	1.0	150°F (66°C) rated.
V48J1047	V48J1047	V4055A1098,V5097B1010, 32001605-001	2	4178	120/60	1.0	150°F (66°C) rated.

- ① On 208V or 240V applications one of the following three alternatives is recommended:
a. Modernize system to 120 volt. Replacement V48A,J models do not have position indicator.
b. Use the V4055/V5097 as shown.
c. Use a V88 of the same size and 208V or 240V to 24V (AT20 or AT72) transformer.

- ② Valve position indicator.
③ 1/2 inch valve is not available; use a 3/4 in replacement valve and appropriate coupling adapter.

④ V48 replacement valve does not include orifice.

⑤ Rated for minus 40°F (minus 40°C).

⑥ Replacement does not have manual opener feature.

⑦ Contact Midco International, 4140 West Victoria Street, Chicago, IL 60646 for replacement and service instructions.

⑧ Capacity indicated is for 1 in. w.c. pressure drop (0.64 specific gravity gas) across the valve.

⑨ Replacement is 60 Hz unless otherwise indicated.

⑩ Replacement does not have position indicator.

V88 DIAPHRAGM VALVE CROSS REFERENCE.

Device to be Replaced	Current Replacement	Specifications of the Device to be Replaced			Comments			
		Valve Size (in.)	Capacity (cf/h)	Voltage/Frequency		Maximum OPR Pressure (psi)		
V88A1006	V88A1618	1	1021	24/60 ↓	0.5 ↓			
V88A1014	V88A1626	1-1/4	2100					
V88A1022	V88A1634	1-1/2	2400					
V88A1030	V88A1709	2	4178					
V88A1048	V88A1717	2-1/2	5100					
V88A1055	V88A1725	3	5562					
V88A1063	None	1	1021				24/50	
V88A1071	None	1-1/4	2100				24/50	
V88A1089 (1)	V88A1626 (5)	1-1/4	2100				24/60 ↓	
V88A1097 (1)	V88A1634 (5)	1-1/2	2400					
V88A1105 (1)	V88A1709 (5)	2	4178					
V88A1113 (1)	V88A1717 (5)	2-1/2	5100					
V88A1121	V88A1659 (2)	1/2						
V88A1139	V88A1659	3/4	668					
V88A1147	None	1-1/2	2400	24/50	International model.			
V88A1155	None				Never produced.			
V88A1162	None	1	1021	24/25	0.5 ↓	BSP PL thread; International model. ↓		
V88A1170	None	1-1/4	2100	24/50				
V88A1188	None	1-1/2	2400	24/50				
V88A1196	None	2	4178	24/50	1.0 ↓			
V88A1204	V88A1667	3/4	668	24/60 ↓				
V88A1212	V88A1675	1	1021					
V88A1220	V88A1683	1-1/4	2100					
V88A1238	V88A1691	1-1/2	2400					
V88A1246	V88A1709	2	4178					
V88A1253	V88A1717	2-1/2	5100					
V88A1261	V88A1725	3	5562					
V88A1279 (1)	V88A1683 (5)	1-1/4	2100					
V88A1287 (1)	V88A1691 (5)	1-1/2	2400					
V88A1295	None	1	1021				24/50 ↓	
V88A1303	None	1-1/4	2100					
V88A1311	None	1-1/2	2400					
V88A1329	None	2	4178					

See Footnotes on page 24.

V88 DIAPHRAGM VALVE CROSS REFERENCE (Continued).

Device to be Replaced	Current Replacement	Specifications of the Device to be Replaced				Comments			
		Valve Size (in.)	Capacity (cf/h)	Voltage/Frequency	Maximum OPR Pressure (psi)				
V88A1337	V88A1618	1	1021	24/60	0.5 ↓				
V88A1345	V88A1626	1-1/4	2100	↓					
V88A1352	V88A1634	1-1/2	2400						
V88A1360	None	1	1021	24/50			International model.		
V88A1378	None	1-1/4	2100	24/50			International model.		
V88A1386	V88A1659 (2)	1/2		24/60					
V88A1394	V88A1659	3/4	668	24/60					
V88A1402	None	1-1/2	2400	24/50			International model; BSP PL thread.		
V88A1410	None						Never produced.		
V88A1428	None	1-1/4	2100	24/50			0.5 ↓	International models; BSP PL thread.	
V88A1436	None	1-1/2	2400	↓					
V88A1444	None	2	4178						
V88A1451	V88A1667	3/4	668	24/60	1.0 ↓				
V88A1469	V88A1675	1	1021	↓					
V88A1477	V88A1683	1-1/4	2100						
V88A1485	V88A1691	1-1/2	2400						
V88A1493	V88A1709	2	4178						
V88A1501	V88A1717	2-1/2	5100						
V88A1519	V88A1725	3	5562						
V88A1527	V88A1683	1-1/4	2100						
V88A1535	None	1	1021				24/50	0.5 ↓	International models; BSP PL thread.
V88A1543	None	1-1/4	2100				↓		
V88A1550	None	1-1/2	2400						
V88A1568	None	2	4178	1.0					
V88A1576	V88A1709 (3)	2	4178	24/60	1.0 ↓	With 0.008 orifice in bleed line.			
V88A1584 (5)	V88A1683 (3)	1-1/4	2100	↓					
V88A1592 (5)	V88A1691 (3)	1-1/2	2400						
V88A1600	None	1	1021		0.5 ↓	Minus 40° F rating.			
V88A1618	V88A1618	1	1021	↓					
V88A1626	V88A1626	1-1/4	2100						
V88A1634	V88A1634	1-1/2	2400						
V88A1642	None	1-1/4	2100				24/50	International model.	
V88A1659	V88A1659	3/4	668	24/60					

V88 DIAPHRAGM VALVE CROSS REFERENCE (Continued).

Device to be Replaced	Current Replacement	Specifications of the Device to be Replaced			Comments	
		Valve Size (in.)	Capacity (cf/h)	Voltage/Frequency		Maximum OPR Pressure (psi)
V88A1667	V88A1667	3/4	668	24/60 ↓	1.0 ↓	
V88A1675	V88A1675	1	1021			
V88A1683	V88A1683	1-1/4	2100			
V88A1691	V88A1691	1-1/2	2400			
V88A1709	V88A1709	2	4178			
V88A1717	V88A1717	2-1/2	5100			
V88A1725	V88A1725	3	5562			
V88A1733	None	1	1021	24/50		International model.
V88A1741	None	1	1021	24/60	0.5	Minus 40° F rating.
V88A1759	None	1-1/4	2100	24/50	1.0	International model; BSP PL thread.
V88A1766	V88A1618 (3)	1	1021	24/60 ↓	0.5	With 0.006 bleed orifice installed.
V88A1774	V88A1626 (3)	1-1/4	2100		0.5	With 0.008 bleed orifice installed.
V88A1782	V88A1634 (3)	1-1/2	2400		0.5	With 0.008 bleed orifice installed.
V88A1790	V88A1709 (3)	2	4178		1.0	With 0.018 bleed orifice installed.
V88B1004	V88A1618 (4)	1	1021	24/60 ↓	0.5 ↓	With manual opener. ↓
V88B1012	V88A1626 (4)	1-1/4	2100			
V88B1020	V88A1634 (4)	1-1/2	2400			
V88B1038	V88A1709 (4)	2	4178			
V88B1046	V88A1717 (4)	2-1/2	5100			
V88B1053	V88A1725 (4)	3	5562			
V88B1061 (1)	V88A1626 (4) (5)	1-1/4	2100			
V88B1079 (1)	V88A1634 (4) (5)	1-1/2	2400			
V88B1087 (1)	V88A1709 (4) (5)	2	4178			
V88B1095 (1)	V88A1717 (4) (5)	2-1/2	5100			
V88B1103	V88A1618 (4)	1	1021			
V88B1111	V88A1626 (4)	1-1/4	2100			
V88B1129	V88A1634 (4)	1-1/2	2400			
V88B1137	V88A1709 (4)	2	4178			
V88B1145	V88A1717 (4)	2-1/2	5100			
V88B1152	V88A1725 (4)	3	5562			
V88B1160 (1)	V88A1626 (4)	1-1/4	2100			
V88B1178 (1)	V88A1634 (4) (5)	1-1/2	2400			

22

See Footnotes on page 24.

V88 DIAPHRAGM VALVE CROSS REFERENCE (Continued).

Device to be Replaced	Current Replacement	Specifications of the Device to be Replaced				Comments	
		Valve Size (in.)	Capacity (cf/h)	Voltage/Frequency	Maximum OPR Pressure (psi)		
V88B1186 (1)	V88A1709 (4) (5)	2	4178	24/60 ↓	0.5	With manual opener. ↓	
V88B1194 (1)	V88A1717 (4) (5)	2-1/2	5100				
V88B1202 (1)	V88A1667 (4)	3/4	668		1.0		
V88B1210	V88A1675 (4)	1	1021				
V88B1228	V88A1683 (4)	1-1/4	2100				
V88B1236	V88A1691 (4)	1-1/2	2400				
V88B1244	V88A1709 (4)	2	4178				
V88B1251	V88A1717 (4)	2-1/2	5100				
V88B1269	V88A1725 (4)	3	5562				
V88B1277	V88A1659 (4)	3/4	668		0.5	With spring-loaded powerhead cover. ↓	
V88B1285	V88A1659 (4)	3/4	668				
V88B1293	V88A1618 (3) (4)	1	1021		1.0	With 0.018 orifice Installed. ↓	
V88B1301	V88A1626 (3) (4)	1-1/4	2100				
V88B1319	V88A1634 (3) (4)	1-1/2	2400				
V88B1327	V88A1709 (3) (4)	2	4178				
V88B1335	V88A1717 (3) (4)	2-1/2	5100				
V88B1343	V88A1725 (3) (4)	3	5562				
V88C1002	V88A1675 (4)	1	1021	24/60 ↓	0.5	With manual opener, opener reset to AUTO on return of power. ↓	
V88C1010	V88A1683 (4)	1-1/4	2100				
V88C1028	V88A1691 (4)	1-1/2	2400				
V88C1036	V88A1709 (4)	2	4178				
V88C1044	V88A1717 (4)	2-1/2	5100				
V88C1051	V88A1725 (4)	3	5562				
V88C1069	None	1-1/4	2100	24/50	1.0	With manual opener, opener reset to AUTO on return of power. International model. ↓	
V88C1077	V88A1709 (4)	2	4178	24/60			
V88C1085	V88A1659 (4)	3/4	668	24/60	0.5	With manual opener, opener reset to AUTO on return of power. ↓	
V88F1005	None	2	4178	24/60 ↓	5.0		Recommend modernizing to 5 psi 120V; V4055/V5055. ↓
V88F1013	None	2-1/2	5100				
V88F1021	None	3	5562				

V88 DIAPHRAGM VALVE CROSS REFERENCE (Continued).

Device to be Replaced	Current Replacement	Specifications of the Device to be Replaced				Comments
		Valve Size (in.)	Capacity (cf/h)	Voltage/Frequency	Maximum OPR Pressure (psi)	
V88G1003	None	2	4178	24/60	5.0	With manual opener.
V88G1011	None	2-1/2	5100	↓	↓	Recommend modernizing to 5 psi 120V; V4055/V5055.
V88G1029	None	3	5562	↓	↓	Recommend modernizing to 5 psi 120V; V4055/V5055.
V88G1037	None	2	4178	24/50	↓	International model.
V88H100I	None	1	1021	24/60	1.0	Minus 40° F rated.
V88J1006	V88J1006	1	1021	24/60	0.5	150° F rated.
V88J1014	None	3/4	668	↓	↓	↓
V88J1022	V88J1022	1-1/4	2100	↓	↓	↓
V88J1030	None	1-1/2	2400	↓	↓	↓

FOOTNOTES:

- ① Valve position indicator.
- ② 1/2-inch valve is not available; use a 3/4-inch replacement valve and appropriate coupling adapter.
- ③ Replacement does not include orifice.
- ④ Replacement does not have manual opener feature.
- ⑤ Replacement does not have position indicator.
- ⑥ Capacity indicated is for 1.0 in. w.c. pressure drop (0.64 specific gravity gas) across the valve.

V51E BUTTERFLY VALVE.

Device to be Replaced	Current Replacement ^③	Valve Size (in.)	Maximum OPR Pressure (psi)	Comments
V51E1000	V51E1000	1-1/2	5.0 ↓	With actuator arm.
V51E1018	V51E1018	2		With actuator arm.
V51E1026 ^①	V51E1018	2		With extended stem. ^①
V51E1034	V51E1034	2-1/2		With actuator arm.
V51E1042 ^①	V51E1000	1-1/2		With extended stem. ^①
V51E1059	V51E1059	3		With actuator arm.
V51E1067 ^①	V51E1059	3		With extended stem. ^①
V51E1075	V51E1075	4		With actuator arm.
V51E1083 ^①	V51E1034	2-1/2		With extended stem. ^①
V51E1091	V51E1034	2-1/2		Less mounting bracket.
V51E1009	None	3		With British standard pipe threads; International model.
V51E1117	None	5		
V51E1125 ^②	V51E1125 ^②	2		Proprietary to Cleaver Brooks.
V51E1133 ^②	V51E1133 ^②	2-1/2		Proprietary to Cleaver Brooks.
V51E1141 ^②	V51E1141 ^②	3		Proprietary to Cleaver Brooks.
V51E1158 ^②	V51E1158 ^②	4		Proprietary to Cleaver Brooks.
V51E1166	V51E1000	1-1/2		Less actuator arm; strain release and mounting bracket.
V51E1174	V51E1018	2		
V51E1182	V51E1034	2-1/2		
V51E1190	V51E1059	3		
V51E1208	V51E1075	4		
V51E1216	V51E1216	1-1/2	↓	Proprietary to Cleaver Brooks.

FOOTNOTES:

- ① Extended stem is two inches longer than standard stem. Check mounting means and location of external linkages before replacement.
- ② Available from proprietary OEM only.
- ③ Maximum operating temperature 140° F.

V155.

Device to be Replaced	Current Replacement		Device Description
	Actuator	Valve	
V155 (all)	V4055A	V5055A	V155 are early models of the V855. Refer to V855 section for additional information.

V413/V415 MOTORIZED VALVES.

Device to be Replaced ^② ^③	Current Replacement		Specifications of the Device to be Replaced				Comments
	V4055 and V5055 Replacements Actuator and Valve		Valve Size (in.)	Capacity (cf/h) ^①	Voltage/Frequency	Maximum OPR Pressure (psi)	
V413A1007	V4055A1098	V5055A1343	3/4	610	120/60	1.0	
V413A1015	V4055A1098	V5055A1004	1	785	120/60	1.0	
V413A1023	V4055A1098	V5055A1012	1-1/4	1225	120/60	1.0	
V413A1031	V4055A1098	V5055A1046	2-1/2	3930	120/60	1.0	
V413A1049	V4055A1098	V5055A1020	1-1/2	1595	120/60	1.0	
V413A1056	V4055A1098	V5055A1038	2	2485	120/60	1.0	
V413A1064	V4055A1098	V5055A1038	2	2485	120/60	1.0	
V413A1072	V4055A1098	V5055A1046	2-1/2	3930	120/60	1.0	
V413X1001	V4055A1114	V5055A1343	3/4	610	240/60	1.0	
V413X1019	V4055A1114	V5055A1004	1	785	240/60	1.0	
V413X1027	V4055A1114	V5055A1012	1-1/4	1225	240/60	1.0	
V413X1035	V4055A1114	V5055A1046	2-1/2	3930	240/60	1.0	
V413X1043	V4055A1114	V5055A1038	2	2485	240/60	1.0	
V413X1050	V4055A1114	V5055A1020	1-1/2	1595	240/60	1.0	
V413X1068	V4055A1114	V5055A1038	2	2485	240/60	1.0	
V413X1076	V4055A1114	V5055A1046	2-1/2	3930	240/60	1.0	
V415C1000 ^④	V4055A1098	V5055A1343	3/4	610	120/60	1.0	
V415C1018 ^④	V4055A1098	V5055A1004	1	785	120/60	1.0	
V415C1026 ^④	V4055A1098	V5055A1012	1-1/4	1225	120/60	1.0	
V415C1034 ^④	V4055A1098	V5055A1020	1-1/2	1595	120/60	1.0	
V415C1042 ^④	V4055A1098	V5055A1038	2	2485	120/60	1.0	
V415C1059 ^④	V4055A1098	V5055A1046	2-1/2	3930	120/60	1.0	
V415X1006	V4055A1114	V5055A1343	3/4	610	240/60	1.0	
V415X1014	V4055A1114	V5055A1004	1	785	240/60	1.0	
V415X1022	V4055A1114	V5055A1012	1-1/4	1225	240/60	1.0	
V415X1030	V4055A1114	V5055A1020	1-1/2	1595	240/60	1.0	
V415X1048	V4055A1114	V5055A1038	2	2485	240/60	1.0	
V415X1055	V4055A1114	V5055A1046	2-1/2	3980	240/60	1.0	

See Footnotes on page 28.

FOOTNOTES:

- ① Capacity indicated is for 1 in. w.c. pressure drop across the valve (0.64 specific gravity gas).
- ② V415 has reverse acting damper arm.
- ③ Pilot tappings: 1/8 NPT for 3/4 in., 1 in., and 1-1/4 in. valves
1/8 or 1/4 NPT for 1-1/2 in. valve
1/4 NPT for 2 in. valve
1/8 or 1/4 NPT for 2-1/2 in. valve.
- ④ V415A,B were identified with predatamatic numbers.

V413/V415 MOTORIZED VALVES.

Device to Be Replaced ② ③	Current Replacement	Specifications of the Device to be Replaced				Comments
	V4055A and V5097 Replacement Actuator, Valve, and Pipe Adapter	Valve Size in in.	Capacity (cfh) ①	Voltage/Frequency	Maximum OPR Pressure (psi)	
V413A1007	V4055A1098,V5097A1004,32000109-001	3/4	610	120/60	1.0	
V413A1015	V4055A1098,V5097A1004,32000109-002	1	785	120/60	1.0	
V413A1023	V4055A1098,V5097A1004,32000109-003	1-1/4	1225	120/60	1.0	
V413A1031	V4055A1098,V5097A1012,32001605-002	2-1/2	3930	120/60	1.0	
V413A1049	V4055A1098,V5097A1004,32000109-004	1-1/2	1595	120/60	1.0	
V413A1056	V4055A1098,V5097A1012,32001605-001	2	2485	120/60	1.0	
V413A1064	V4055A1098,V5097A1012,32001605-001	2	2485	120/60	1.0	
V413A1072	V4055A1098,V5097A1012,32001605-002	2-1/2	3930	120/60	1.0	
V413X1001	V4055A1114,V5097A1004,32000109-001	3/4	610	240/60	1.0	
V413X1019	V4055A1114,V5097A1004,32000109-002	1	785	240/60	1.0	
V413X1027	V4055A1114,V5097A1004,32000109-003	1-1/4	1225	240/60	1.0	
V413X1035	V4055A1114,V5097A1012,32001605-002	2-1/2	3930	240/60	1.0	
V413X1043	V4055A1114,V5097A1012,32001605-001	2	2485	240/60	1.0	
V413X1050	V4055A1114,V5097A1004,32000109-004	1-1/2	1595	240/60	1.0	
V413X1068	V4055A1114,V5097A1012,32001605-001	2	2485	240/60	1.0	
V413X1076	V4055A1114,V5097A1012,32001605-002	2-1/2	3930	240/60	1.0	
V415C1000 ④	V4055A1098,V5097A1004,32000109-001	3/4	610	120/60	1.0	
V415C1018 ④	V4055A1098,V5097A1004,32000109-002	1	785	120/60	1.0	
V415C1026 ④	V4055A1098,V5097A1004,32000109-003	1-1/4	1225	120/60	1.0	
V415C1034 ④	V4055A1098,V5097A1004,32000109-004	1-1/2	1595	120/60	1.0	
V415C1042 ④	V4055A1098,V5097A1012,32001605-001	2	2485	120/60	1.0	
V415C1059 ④	V4055A1098,V5097A1012,32001605-002	2-1/2	3930	120/60	1.0	
V415X1006	V4055A1114,V5097A1004,32000109-001	3/4	610	240/60	1.0	
V415X1014	V4055A1114,V5097A1004,32000109-002	1	785	240/60	1.0	
V415X1022	V4055A1114,V5097A1004,32000109-003	1-1/4	1225	240/60	1.0	
V415X1030	V4055A1114,V5097A1004,32000109-004	1-1/2	1595	240/60	1.0	
V415X1048	V4055A1114,V5097A1012,32001605-001	2	2485	240/60	1.0	
V415X1055	V4055A1114,V5097A1012,32001605-002	2-1/2	3980	240/60	1/0	

① Capacity indicated is for 1 in. w.c. pressure drop across the valve (0.64 specific gravity gas).

② V415 has reverse acting damper arm.

③ Pilot tappings:

- a. 1/8 NPT for 3/4 in., 1 in., and 1-1/4 in. valves.
- b. 1/8 or 1/4 NPT for 1-1/2 in. valves.
- c. 1/4 NPT for 2 in. valve.
- d. 1/8 or 1/4 NPT for 2-1/2 in. valve.

④ V415A,B were identified with predatamatic numbers.

VA435 CROSS REFERENCE.

Device to be Replaced ^① ^③	Current Replacement	Specifications of the Device to be Replaced				Comments
		Valve Size (in.)	Capacity (cf/h) ^②	Voltage/Frequency	Maximum OPR Pressure (psi)	
VA435A1004	None	3/8	90	120/50,60	0.5	
VA435A1012	None	1/2	165	↓		
VA435A1020	None	3/4	327	↓		
VA435A1038	None	3/8	90	208/50,60		
VA435A1046	None	1/2	165	↓		
VA435A1053	None	3/4	327	↓		
VA435A1061	None	3/8	90	220/50		International model.
VA435A1079	None	3/8	90	240/50,60		
VA435A1087	None	1/2	165	↓		
VA435A1095	None	3/4	327	↓		
VA435A1103	None	1/2	165	120/50,60		Large body.
VA435A1111	None	↓	165	240/50,60		Large body.
VA435A1129	None	↓	165	120/50,60		
VA435A1137	None	3/4	327	120/50,60		
VA435A1145	None	3/8	90	240/50,60		
VA435A1152	None	1/2	165	↓		
VA435A1160	None	3/4	327	↓		
VA435A1178	None	3/8	90	120/50,60		Less pilot tapping.
VA435A1186	None	1/2	165	↓		↓
VA435A1194	None	3/4	327	↓		
VA435A1202	None	3/8	90	208/50,60		
VA435A1210	None	↓	90	220/50		Less pilot tapping; International model.
VA435A1228	None	↓	90	240/50,60		Less pilot tapping.
VA435A1236	None	1/2	165	↓		↓
VA435A1244	None	3/4	327	↓		
VA435A1251	None	1/2	165	120/50,60		Less pilot tapping; large body.
VA435A1269	None	↓	165	240/50,60		Less pilot tapping; large body.
VA435A1277	None	↓	165	120/50,60		Less pilot tapping.
VA435A1285	None	↓	165	240/50,60		↓
VA435A1293	None	3/4	327	240/50,60		
VA435A1301	None	1/2	165	120/50,60	Less pilot tapping; large body.	
VA435A1319	None	3/4	327	↓	Less pilot tapping.	

30

VA435 CROSS REFERENCE (Continued).

Device to be Replaced ^{①③}	Current Replacement	Specifications of the Device to be Replaced				Comments		
		Pipe Size (in.)	Capacity (cf/h) ^②	Voltage/Frequency	Maximum OPR Pressure (psi)			
VA435A1327	None	1/2	165	220/50 ↓	0.5 ↓	Less pilot tapping; International model.		
VA435A1335	None	3/4	327			Less pilot tapping; International model.		
VA435A1343	None	1/2	165			International model.		
VA435A1350	None	3/4	327			International model.		
VA435A1368	None	1/2	165			Large body; International model.		
VA435A1376	None					Never produced.		
VA435A1384	None	1/2	165	220/50	0.5 ↓	International model.		
VA435A1392	None	3/4	327	240/50,60		Less pilot tapping.		
VA435A1400	None	3/4	327	120/50,60		Less pilot tapping.		
VA435B1002	None	3/8	90	120/50,60 ↓ 208/50,60 220/50 240/50,60 ↓ 120/50,60 120/50,60 240/50,60 ↓ 120/50,60 120/50,60 240/50,60 ↓ 120/50,60 220/50	0.5 ↓	With manual opener.		
VA435B1010	None	1/2	165			↓	↓	
VA435B1028	None	3/4	327			↓	↓	
VA43581036	None	3/4	327			208/50,60	↓	With manual opener; International model.
VA435B1044	None	3/8	90			220/50	↓	With manual opener.
VA435B1051	None	3/8	90			240/50,60	↓	↓
VA435B1069	None	1/2	165			↓	↓	With manual opener; less pilot tapping.
VA435B1077	None	3/4	327			↓	↓	↓
VA43501085	None	1/2	90			120/50,60	↓	↓
VA43501095	None	3/4	327			120/50,60	↓	↓
VA435B1101	None	3/8	90			240/50,60	↓	↓
VA435B1119	None	1/2	165			↓	↓	↓
VA435B1127	None	3/4	327			↓	↓	↓
VA435B1135	None	3/8	90			120/50,60	↓	↓
VA43581143	None	3/4	327			220/50	↓	With manual opener; International model.

FOOTNOTES:

- ① VA435 is a solenoid gas valve.
- ② Valve capacities with 1.0 in. w.c. pressure drop (0.64 specific gravity gas) across the valve.
- ③ 1/8 NPT pilot tapping.

V493/V893.

Device to be Replaced	Current Replacement		Device Description																																		
	Actuator	Valve																																			
V493	V4055A	V5055B	V493 and V893 are large diaphragm valves; some models have damper arms. V493 has line voltage operator; V893 has low voltage operator. Choose the V4055A fast-opening actuator with the appropriate voltage and V5055B valve of the same size for replacement. Modernize system to 120V/60 Hz when replacing V893.																																		
V893																																					
			<table border="1"> <thead> <tr> <th>Valve Size (inches)</th> <th>Diaphragm Size (inches)</th> <th>Face-To-Face Dimension (inches)</th> </tr> </thead> <tbody> <tr> <td>1</td> <td>9</td> <td>4</td> </tr> <tr> <td>1-1/4</td> <td>9</td> <td>4-5/8</td> </tr> <tr> <td>1-1/4</td> <td>13</td> <td rowspan="2">5-1/4 ↓</td> </tr> <tr> <td>1-1/2</td> <td>9</td> </tr> <tr> <td>1-1/2</td> <td>13</td> <td>6</td> </tr> <tr> <td>2</td> <td>9</td> <td>6</td> </tr> <tr> <td>2</td> <td>13</td> <td>6</td> </tr> <tr> <td>2-1/2</td> <td rowspan="2">↓</td> <td>7-1/4</td> </tr> <tr> <td>3</td> <td>8-1/4</td> </tr> <tr> <td>4</td> <td>16</td> <td>12</td> </tr> <tr> <td>6</td> <td>16</td> <td>16</td> </tr> </tbody> </table>	Valve Size (inches)	Diaphragm Size (inches)	Face-To-Face Dimension (inches)	1	9	4	1-1/4	9	4-5/8	1-1/4	13	5-1/4 ↓	1-1/2	9	1-1/2	13	6	2	9	6	2	13	6	2-1/2	↓	7-1/4	3	8-1/4	4	16	12	6	16	16
Valve Size (inches)	Diaphragm Size (inches)	Face-To-Face Dimension (inches)																																			
1	9	4																																			
1-1/4	9	4-5/8																																			
1-1/4	13	5-1/4 ↓																																			
1-1/2	9																																				
1-1/2	13	6																																			
2	9	6																																			
2	13	6																																			
2-1/2	↓	7-1/4																																			
3		8-1/4																																			
4	16	12																																			
6	16	16																																			

V493/V893.

Device to be Replaced	Current Replacement		Device Description																																				
	Actuator	Valve																																					
V493	V4055A	V5097B	V493 and V893 are large diaphragm valves; some models have damper arms. V493 has line voltage operator; V893 has low voltage operator. Choose the V4055A fast-opening actuator with the appropriate voltage and V5097 Valve of the same size for replacement. Modernize systems to 120V/60 Hz when replacing V893.																																				
V893																																							
			<table border="1"> <thead> <tr> <th>Valve Pipe Adapter Size (inches)</th> <th>Diaphragm Size (inches)</th> <th>Face-To-Face Dimension (inches)</th> </tr> </thead> <tbody> <tr> <td>1</td> <td>9</td> <td>4</td> </tr> <tr> <td>1-1/4</td> <td>9</td> <td>4-5/8</td> </tr> <tr> <td>1-1/4</td> <td>13</td> <td>5-1/4</td> </tr> <tr> <td>1-1/2</td> <td>9</td> <td>↓</td> </tr> <tr> <td>1-1/2</td> <td>13</td> <td>↓</td> </tr> <tr> <td>2</td> <td>9</td> <td>6</td> </tr> <tr> <td>2</td> <td>13</td> <td>6</td> </tr> <tr> <td>2-1/2</td> <td>↓</td> <td>7-1/4</td> </tr> <tr> <td>3</td> <td>↓</td> <td>8-1/4</td> </tr> <tr> <td>4</td> <td>16</td> <td>12</td> </tr> <tr> <td>6</td> <td>16</td> <td>16</td> </tr> </tbody> </table>	Valve Pipe Adapter Size (inches)	Diaphragm Size (inches)	Face-To-Face Dimension (inches)	1	9	4	1-1/4	9	4-5/8	1-1/4	13	5-1/4	1-1/2	9	↓	1-1/2	13	↓	2	9	6	2	13	6	2-1/2	↓	7-1/4	3	↓	8-1/4	4	16	12	6	16	16
Valve Pipe Adapter Size (inches)	Diaphragm Size (inches)	Face-To-Face Dimension (inches)																																					
1	9	4																																					
1-1/4	9	4-5/8																																					
1-1/4	13	5-1/4																																					
1-1/2	9	↓																																					
1-1/2	13	↓																																					
2	9	6																																					
2	13	6																																					
2-1/2	↓	7-1/4																																					
3	↓	8-1/4																																					
4	16	12																																					
6	16	16																																					

V495 CROSS REFERENCE.

Device to be Replaced ^④	Current Replacement ^①	Specifications of the Device to be Replaced				Comments
		Valve Size (in.)	Capacity (cf/h) ^⑤	Voltage/Frequency	OPR Pressure (psi)	
V495A1004	V4046C1047	1/4	57	120/60	0.5	
V495A1012	V4046C1047	1/4	57	120/50	0.5	International model.
V495A1020	None	1/4	57	208/60	0.5	
V495A1038	None	1/4	57	240/60	0.5	
V495A1046	None	1/4	57	240/50	0.5	International model.
V495A1053	V4046C1054	3/8	74	120/60	0.5	
V495A1061	V4046C1054	3/8	74	120/50	0.5	International model.
V495A1079	None	3/8	74	115 Vdc	0.5	
V495A1087	None	3/8	74	240/60	0.5	
V495A1095	None	3/8	74	240/50	0.5	
V495A1103	V4046C1047	1/4	57	120/60	3.5	
V495A1111	None	1/4	57	240/60	3.5	
V495A1129	None	1/4	57	240/50	3.5	International model.
V495A1137	V4046C1054	3/8	74	120/60	3.5	
V495A1145	V4046C1062	3/8	74	240/60	3.5	
V495A1152	None	3/8	74	240/50	3.5	International model.
V495A1160	V4046C1054	3/8	74	120/60	3.5	
V495A1178	V4046C1054	3/8	74	120/50	3.5	International model.
V495A1186	None	3/8	74	240/60	3.5	
V495A1194	None	3/8	74	240/50	3.5	International model.
V495A1202	V4046C1054	3/8	74	120/60	3.5	
V495A1210	None	3/8	74	240/60	3.5	
V495A1228	None	3/8	74	120/50	3.5	International model.
V495B1003	V4046C1047 ^②	1/4	57	120/60	0.5	With manual opener.
V495B1011	None	1/4	57	240/60	0.5	With manual opener.
V495B1029	V4046C1054 ^②	3/8	74	120/60	0.5	With manual opener.
V495B1037	None	3/8	74	240/60	0.5	With manual opener.
V495B1045	None	3/8	74	240/50	0.5	International model. With manual opener.
V495B1052	V4046C1047 ^②	1/4	57	120/60	3.5	With manual opener.
V495B1060	V4046C1054 ^②	3/8	74	120/60	3.5	With manual opener.
V495B1078	None	3/8	74	240/60	3.5	With manual opener.
V495B1086	None	3/8	74	240/50	0.5	International model. With manual opener.

See Footnotes on page 35.

V495 CROSS REFERENCE (Continued).

Device to be Replaced ^④	Current Replacement ^①	Specifications of the Device to be Replaced				Comments
		Valve Size (in.)	Capacity (cf/h) ^⑤	Voltage/Frequency	OPR Pressure (psi)	
V495X1008	None	3/8	74	120/25	0.5	
V495X1016	V4046C1088	3/8	74	208/60	0.5	
V495X1024	None	3/8	74	240/25	0.5	
V495X1032	None	1/4	57	120/25	3.5	
V495X1040	None	1/4	57	208/60	0.5	With manual opener.
V495X1057	None	3/8	74	120/25	0.5	With manual opener
V495X1065	V4046C1088 ^②	3/8	74	208/60	0.5	With manual opener.
V495X1073	None	3/8	74	220/50	0.5	International model. With manual opener.
V495X1081	V4046C1088 ^②	3/8	74	208/60	3.5	With manual opener.
V495X1099 ^⑥	V4046C1088 ^③	3/8	74	208/60	0.5	
V495X1107	None	1/4	57	220/50	0.5	International model.
V495X1115	None	3/8	74	220/50	0.5	International model.
V495X1123 ^⑥	None	3/8	74	120/25	0.5	
V495X1131	None	1/4	57	220/50	3.5	International model.
V495X1149	None	3/8	74	220/50	3.5	International model.
V495X1156	None					Never produced.
V495X1164	None	3/8	74	220/50	3.5	International model. With manual opener.
V495X1172	None	3/8	74	208/50	3.5	International model.

FOOTNOTES:

- ① Perform pilot turndown test if V495 is used for pilot application.
- ② Replacement does not have manual opener.
- ③ Replacement does not have minimum flow adjustment.
- ④ V495 is low capacity solenoid gas valve.
- ⑤ Capacity indicated is for 1 in. w.c. pressure drop (0.64 specific gravity gas) across the valve.
- ⑥ With minimum flow adjustment.

V499/V899.

Device to be Replaced	Current Replacement	Device Description
V499	V48	V499 and V899 are diaphragm gas valves in sizes 3/4 inch to 2 inches. V499 is line voltage and V899 is low voltage. Choose appropriate V48 or V88 using information in this section on V48 and V88.
V899	V88	

V517/V518/V519.

Device to be Replaced	Current Replacement		Device Description
	Actuators	Valves	
V517 & V166 ①	V4055A ↓	V5055B ↓	V517, V518, V519 are diaphragm valves used with the V166, V466, V866 operators. Some models have damper arms. Choose the V4055A fast-opening actuator with proper voltage and V5055B valve of proper size. Specifications:
V466			
V866 ①			
V518 & V166 ①	V4055A ↓	V5055B ↓	Pipe Size (in.)
V466			1-1/2
V866 ①			2
V519 & V166 ①	V4055A ↓	V5055B ↓	2-1/2
V466			3
V866 ①			3
			4
			6

FOOTNOTES

- ① These are low voltage operators. Recommend modernizing system to 120V/60 Hz.
- ② Replacement actuator valve combination is 120V/60 Hz.

V517/V518/V519.

Device to be Replaced	Current Replacement		Device Description
	Actuator	Valve	
	V4055A (2)	V5097B (2)	V517, V518 and V519 are diaphragm valves used with the V166, V466 and V866 operators. Some models have damper arms. Choose the V4055A fast-opening actuator with proper voltage and the V5097B valve of proper size. Specifications:
V517 & V166 (1)			
V466			
V866 (1)			Pipe Size (in.)
V518 & V166 (1)			1-1/2
V466			2
V866 (1)			2-1/2
V519 & V166 (1)			3
V466			3
V866 (1)			3

FOOTNOTES:

- (1) These are low voltage operators. Recommend modernizing system to 120V/60 Hz.
- (2) Replacement actuator valve combination is 120V/60 Hz.

V855 MOTORIZED GAS VALVE CROSS REFERENCE.

Device to be Replaced ^① ^②	Current Replacement ^③		Specifications of the Device to be Replaced				Comments
	Actuator and Valve V4055	Actuator and Valve V5055	Valve Size (in.)	Capacity (cf/h) ^⑤	Voltage/Frequency	Maximum OPR (psi)	
V855A1009	V4055A1098	V5055A1343	3/4	593	24/60	0.5	
V855A1017	V4055A1098	V5055A1004	1	763	24/60	0.5	
V855A1025	V4055A1098	V5055A1012	1-1/4	1193	24/60	0.5	
V855A1033	V4055A1098	V5055A1020	1-1/2	1551	24/60	0.5	
V855A1041	V4055A1098	V5055A1038	2	2415	24/60	0.5	
V855A1058	V4055A1098	V5055A1046	2-1/2	3816	24/60	0.5	
V855B1008	V4055A1098 ^④	V5055A1343	3/4	593	24/60	0.5	SPST mercury switch. ^⑥
V855B1016	V4055A1098 ^④	V5055A1004	1	763	24/60	0.5	SPST mercury switch. ^⑥
V855B1024	V4055A1098 ^④	V5055A1012	1-1/4	1193	24/60	0.5	SPST mercury switch. ^⑥
V855A1032	V4055A1098 ^④	V5055A1020	1-1/2	1551	24/60	0.5	SPST mercury switch. ^⑥
V855A1040	V4055A1098 ^④	V5055A1038	2	2415	24/60	0.5	SPST mercury switch. ^⑥
V855A1057	V4055A1098 ^④	V5055A1046	2-1/2	3816	24/60	0.5	SPST mercury switch. ^⑥

FOOTNOTES:

- ① V855A has a reverse-acting damper arm.
- ② Recommend modernizing system to 120V/60 Hz.
- ③ Replacement actuator is 120V/60 Hz.
- ④ If auxiliary switch is needed, order and install auxiliary switch, part no. 133568.
- ⑤ Capacity indicated is for 1 in. w.c. pressure drop (0.64 specific gravity gas) across the valve.
- ⑥ Auxiliary switch, which closes circuit when valve is opened.

V855 MOTORIZED GAS VALVE CROSS REFERENCE.

Device to be Replaced ^① ^②	Current Replacement ^③	Specifications of the Device to be Replaced				Comments
	V4055A and V5097 Replacement Actuator, Valve, and Pipe Adapter	Valve Size (in.)	Capacity (cf/h) ^⑤	Voltage/Frequency	Maximum OPR (psi)	
V855A1009	V4055A1098,V5097A1004, 32000109-001	3/4	593	24/60	0.5	
V855A1017	V4055A1098,V5097A1004, 32000109-002	1	763	24/60	0.5	
V855A1025	V4055A1098,V5097A1004, 32000109-003	1-1/4	1193	24/60	0.5	
V855A1033	V4055A1098,V5097A1004, 32000109-004	1-1/2	1551	24/60	0.5	
V855A1041	V4055A1098,V5097A1012, 32001605-001	2	2415	24/60	0.5	
V855A1058	V4055A1098,V5097A1012, 32001605-002	2-1/2	3816	24/60	0.5	
V855B1008	V4055A1098, V5097A1004, ^④ 32000109-001	3/4	593	24/60	0.5	SPST mercury switch. ^⑥
V855B1016	V4055A1098, V5097A1004, ^④ 32000109-002	1	763	24/60	0.5	SPST mercury switch. ^⑥
V855B1024	V4055A1098, V5097A1004, ^④ 32000109-003	1-1/4	1193	24/60	0.5	SPST mercury switch. ^⑥
V855B1032	V4055A1098, V5097A1004, ^④ 32000109-004	1-1/2	1551	24/60	0.5	SPST mercury switch. ^⑥
V855B1040	V4055A1098, V5097A1012, ^④ 32001605-001	2	2415	24/60	0.5	SPST mercury switch. ^⑥
V855A1057	V4055A1098, V5097A1012, ^④ 32001605-002	2-1/2	3816	24/60	0.5	SPST mercury switch. ^⑥

FOOTNOTES:

- ① V855A has a reverse-acting damper arm.
- ② Recommend modernizing system to 120V/60 Hz.
- ③ Replacement actuator is 120V/60 Hz.
- ④ If auxiliary switch is needed, order and install auxiliary switch, part no. 133568.
- ⑤ Capacity indicated is for 1 in. w.c. pressure drop (0.64 specific gravity gas) across the valve.
- ⑥ Auxiliary switch, which closes circuit when valve is opened.

V4001 PILOT VALVE CROSS REFERENCE.

Device to be Replaced	Current Replacement	Specifications of the Device to be Replaced				Comments
		Valve Size (in.)	Capacity (cf/h) ^②	Voltage/Frequency	OPR Pressure (psi)	
V4001D1006	V4046C1005	1/8	44	120/60	10.0	
V4001D1014	V4046C1021	1/4	68	120/60	10.0	
V4001D1022	None ^①	1/8	44	240/60	10.0	
V4001D1030	None ^①	1/4	68	240/60	10.0	
V4001D1048	None ^①	1/8	44	208/60	10.0	
V4001D1055	None ^①	1/4	68	208/60	10.0	

FOOTNOTES:

- ① Recommend modernizing to 120V/60 Hz and using V4046C1005 or V4046C1021.
- ② Capacity indicated is for 1 in. w.c. pressure drop (0.64 specific gravity gas) across the valve.

V4004/V8004 DIAPHRAGM GAS VALVES.

The V4004/V8004 family of valves provide both on-off and on-off plus modulating type of gas control. The table below lists brief specifications by model type. The V4004A-D and V8004A-D opens when energized. The V4004E-H and V8004E-H have an integral on-off low fire switch and modulating controller. The modulating controller is operated by either temperature or pressure.

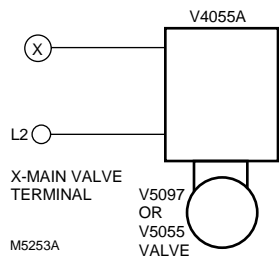
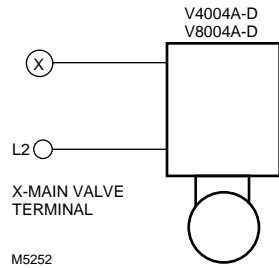
Model	On-Off	Integral On-Off Low Fire Controller		Modulating Controller Operated By:		Damper Arm
		Line Voltage	Line Voltage	Pressure	Temperature	
V4004A	X					Yes
V4004B	X					No
V4004C	X					Yes
V4004D	X					No
V4004E		X		X		Yes
V4004F		X		X		No
V4004G		X			X	Yes
V4004H		X			X	No
V8004A	X					Yes
V8004B	X					No
V8004C	X					Yes
V8004D	X					No
V8004E			X	X		Yes
V8004F			X	X		No
V8004G			X		X	Yes
V8004H			X		X	No

In addition, the V4004C,D and V8004C,D have provisions for manual opener. These devices also have predatamatic OS number identities and are, therefore, not listed in this cross reference.

To replace the V4044/V8004 with the V4055/V9055/V5055 or V5097 family of valves and actuators may require some rewiring and the addition of a modulating temperature or pressure controller such as the P455A or T991E. Suggested wiring methods are shown on the next page.

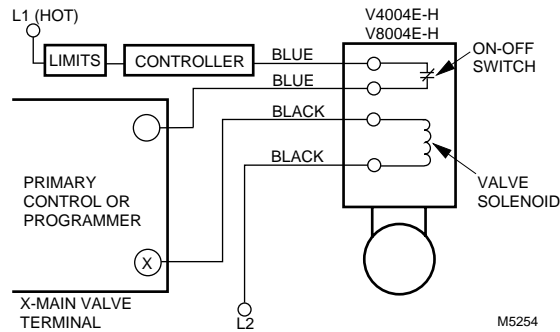
V4004 CONVERSION AS SHOWN.
 LOW VOLTAGE V8004 CONVERSION IS SIMILAR EXCEPT LOW VOLTAGE TRANSFORMER SHOULD BE TAKEN OUT OF THE CIRCUIT.

REPLACING V4004A-D,
 V8004A-D WITH V4055A

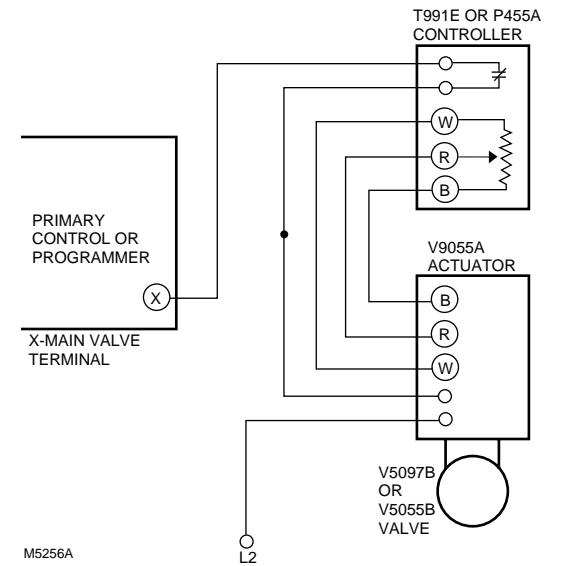
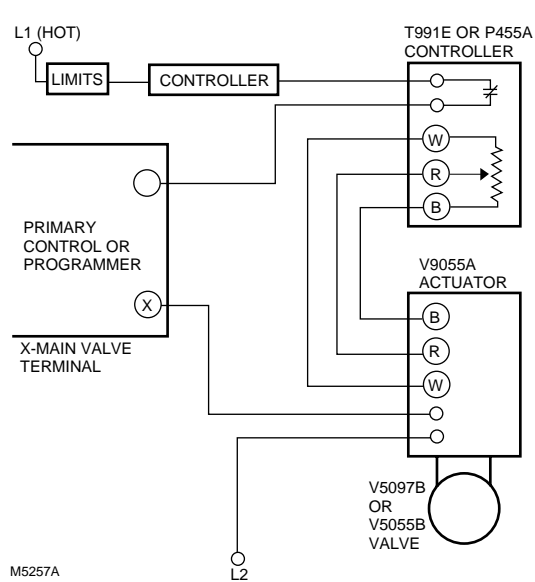
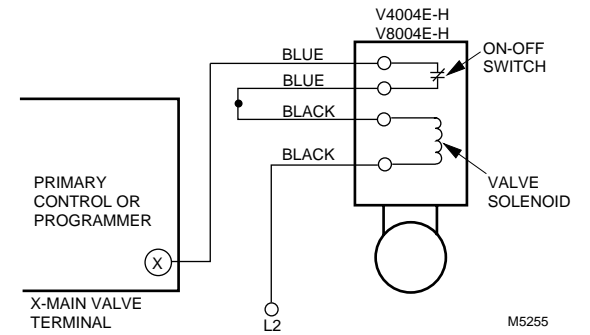


REPLACING V4004E-H, V8004E-H WITH V9055A

WIRING METHOD 1



WIRING METHOD 2



V4004/V8004 DIAPHRAGM VALVE CROSS REFERENCE.

Device to be Replaced	Current Replacements			Specifications of the Device to be Replaced					Comments
	Actuator	Valve	Controller	Valve Size (in.)	Capacity (cf/h) ^②	Voltage/Frequency	Maximum Operating Pressure (psi)	On-Off Disc	
V4004A1009	V4055A1098	V5055A1004		1	920	120/60	5.0	X	
V4004A1017	V4055A1114	V5055A1004		1	920	240/60			
V4004A1025	V4055A1098	V5055A1012		1-1/4	1270	120/60			
V4004A1033	V4055A1114	V5055A1012		1-1/4	1270	240/60			
V4004A1041	V4055A1098	V5055A1020		1-1/2	1690	120/60			
V4004A1058	V4055A1114	V5055A1020		1-1/2	1690	240/60			
V4004A1066	V4055A1098	V5055A1038		2	3150	120/60			
V4004A1074	V4055A1114	V5055A1038		2	3150	240/60			
V4004A1082	V4055A1098	V5055A1038		2	3150	120/60			
V4004A1090	V4055A1114	V5055A1038		2	3150	240/60			
V4004A1108	V4055A1098	V5055A1046		2-1/2	4380	120/60			
V4004A1116	V4055A1114	V5055A1046		2-1/2	4380	240/60			
V4004A1124	V4055A1098	V5055A1053		3	6595	120/60			
V4004A1132	V4055A1114	V5055A1053		3	6595	240/60			
V4004A1140	V4055B1039	V5055A1228 ^③		4	10605	120/60			
V4004A1157	None ^⑤	V5055A1228 ^③		4	10605	240/60			
V4004A1165	V4055A1098	V5055A1004		1	920	120/60			
V4004A1173	V4055A1114	V5055A1004		1	920	240/60			
V4004A1181	V4055A1098	V5055A1012		1-1/4	1270	120/60			
V4004A1199	V4055A1114	V5055A1012		1-1/4	1270	240/60			
V4004A1207	V4055A1098	V5055A1020		1-1/2	1690	120/60			
V4004A1215	V4055A1114	V5055A1020		1-1/2	1690	240/60			
V4004A1223	V4055B1039	V5055A1228		4	10605	120/60			
V4004A1231	None ^⑤	V5055A1228		4	10605	240/60			
V4004A1249	None ^④	None ^④		6	22625	120/60			
V4004A1256	None ^④	None ^④		6	22625	240/60			
V4004A1264	V4055A1098	V5055B1002		1	920	120/60			
V4004A1272	↓	V5055B1010		1-1/4	1270				
V4004A1280		V5055B1028		1-1/2	1690				
V4004A1298		V5055B1069		2	3150				
V4004A1306		V5055B1069		2	3150				
V4004A1314		V5055B1077		2-1/2	4380				

See Footnotes on page 56.

V4004/V8004 DIAPHRAGM VALVE CROSS REFERENCE (Continued).

Device to be Replaced	Current Replacements			Specifications of the Device to be Replaced					Comments		
	Actuator	Valve	Controller	Valve Size (in.)	Capacity (cf/h) ⁽²⁾	Voltage/Frequency	Maximum Operating Pressure (psi)	On-Off Disc		Parabolic Guide	
V4004A1322	V4055A1098	V5055B1085		3	5700	120/60	5.0 ↓		X ↓		
V4004A1330	V4055B1039	V5055B1150 ⁽³⁾		4	7600	120/60					
V4004A1348	V4055A1114	V5055B1085		3	5700	240/60					
V4004A1355	V4055A1114	V5055B1077		2-1/2	4100	240/60			X ↓		International model.
V4004A1363	V4055A1130	V5055A1012		1-1/4	1270	220/50					
V4004A1371	V4055B1088	V5055A1228 ⁽³⁾		4	10605	220/50			International model.		
V4004A1389	None	None		2	3150	208/60					
V4004A1397	V4055A1130	V5055A1038		2	3150	220/50					
V4004A1405	V4055A1130	V5055A1053		3	6595	220/50					
V4004B1007	V4055A1098	V5055A1004		1	920	120/60	5.0 ↓	X ↓			
V4004B1015	V4055A1114	V5055A1004		1	920	240/60					
V4004B1023	V4055A1098	V5055A1012		1-1/4	1270	120/60					
V4004B1031	V4055A1114	V5055A1012		1-1/4	1270	240/60					
V4004B1049	V4055A1098	V5055A1020		1-1/2	1690	120/60					
V4004B1056	V4055A1114	V5055A1020		1-1/2	1690	240/60					
V4004B1064	V4055A1098	V5055A1038		2	3150	120/60					
V4004B1072	V4055A1114	V5055A1038		2	3150	240/60					
V4004B1080	V4055A1098	V5055A1038		2	3150	120/60					
V4004B1098	V4055A1114	V5055A1038		2	3150	240/60					
V4004B1106	V4055A1098	V5055A1046		2-1/2	4380	120/60					
V4004B1114	V4055A1114	V5055A1046		2-1/2	4380	240/60					
V4004B1122	V4055A1098	V5055A1053		3	6595	120/60					
V4004B1130	V4055A1114	V5055A1053		3	6595	240/60					
V4004B1148	V4055B1039	V5055A1228 ⁽³⁾		4	10605	120/60					
V4004B1155	None ⁽⁵⁾	V5055A1228 ⁽³⁾		4	10605	240/60					
V4004B1163	V4055A1098	V5055A1004		1	920	120/60					
V4004B1171	V4055A1114	V5055A1004		1	920	240/60					
V4004B1189	V4055A1098	V5055A1012		1-1/4	1270	120/60					
V400401197	V4055A1114	V5055A1012		1-1/4	1270	240/60					
V4004B1205	V4055A1098	V5055A1020		1-1/2	1690	120/60					
V4004B1213	V4055A1114	V5055A1020		1-1/2	1690	240/60					
V4004B1221	V4055B1039	V5055A1228 ⁽³⁾		4	10605	120/60					
V4004B1239	None ⁽⁵⁾	V5055A1228 ⁽³⁾		4	10605	240/60					

See Footnotes on page 56.

V4004/V8004 DIAPHRAGM VALVE CROSS REFERENCE (Continued).

Device to be Replaced	Current Replacements			Specifications of the Device to be Replaced					Comments	
	Actuator	Valve	Controller	Valve Size (in.)	Capacity (cf/h) ^②	Voltage/Frequency	Maximum Operating Pressure (psi)	On-Off Disc		Parabolic Guide
V4004B1247	None	None ^④		6	22625	120/60	5.0	X		
V4004B1254	None	None ^④		6	22625	240/60		X		
V4004B1262	V4055A1098 ↓	V5055B1002		1	920	120/60 ↓	5.0 ↓		X ↓	
V4004B1270		V5055B1010		1-1/4	1100					
V4004B1288		V5055B1028		1-1/2	1450					
V4004B1296		V5055B1069		2	2300					
V4004B1304		V5055B1069		2	2300					
V4004B1312		V5055B1077		2-1/2	4100					
V4004B1320		V5055B1085		3	5700					
V4004B1338		V4055B1039		B5055B1150 ^③	4					
V4004B1346	V4055A1130 ↓	V5055A1038		2	3150	220/50 ↓	5.0 ↓	X ↓		International model. ↓
V4004B1353		V5055A1004		1	920					
V4004B1361		V5055A1012		1-1/4	1270					
V4004B1379		V5055A1038		2	3150					
V4004B1387		V5055A1046		2-1/2	4380					
V4004B1395	None	None		2-1/2	4380	208/60	5.0 ↓			
V4004B1403	None	None		2-1/2	4380	120/50				
V4044B1411	None	None		2	3150	220/50 ↓				
V4004B1429	None	None		1-1/4	1270					
V4004B1437	V4055A1130	V5055A1053		3	6595	220/50				
V4004B1445	V4055A1130	V5055A1020	1-1/2	1690	220/50					

46

See Footnotes on page 56.

V4004/V8004 DIAPHRAGM VALVE CROSS REFERENCE (Continued).

Device to be Replaced	Current Replacements			Specifications of the Device to be Replaced						Comments
	Actuator	Valve	Controller	Valve Size (in.)	Capacity (cf/h) ②	Voltage/Frequency	Maximum Operating Pressure (psi)	On-Off Disc	Parabolic Guide	
V4004E1000	V9055A1055	V5055B1002	P455A1006 (0-15 psi)	1	920	120/60	5.0		X	1-25
V4004E1018	None ①	V5055B1002	P455A1022 (5-150 psi)	1	920	240/60				1-25
V4004E1026	V9055A1055	V5055B1010		1-1/4	1100	120/60				
V4004E1034	None ①	V5055B1010		1-1/4	1100	240/60				
V4004E1042	V9055A1055	V5055B1028		1-1/2	1450	120/60				
V4004E1059	None ①	V5055B1028		1-1/2	1450	240/60				
V4004E1067	V9055A1055	V5055B1069		2	2300	120/60				
V4004E1075	None ①	V5055B1069		2	2300	240/60				
V4004E1083	V9055A1055	V5055B1002	P455A1022	1	920	120/60				20-150
V4004E1091	None ①	V5055B1002	P455A1022	1	920	240/60				20-150
V4004E1109	V9055A1055	V5055B1010		1-1/4	1100	120/60				
V4004E1117	None ①	V5055B1010		1-1/4	1100	240/60				
V4004E1125	V9055A1055	V5055B1028		1-1/2	1450	120/60				
V4004E1133	None ①	V5055B1028		1-1/2	1450	240/60				
V4004E1141	V9055A1055	V5055B1069		2	2300	120/60				
V4004E1158	None ①	V5055B1069		2	2300	240/60				
V4004E1166	V9055A1055	V5055B1069	P455A1006 (0-15 psi)	2	2300	120/60				1-25
V4004E1174	None ①	V5055B1069	P455A1022 (5-150 psi)	2	2300	240/60				1-25
V4004E1182	V9055A1055	V5055B1077		2-1/2	4100	120/60				
V4004E1190	None ①	V5055B1077		2-1/2	4100	240/60				
V4004E1208	V9055A1055	V5055B1085		3	5700	120/60				
V4004E1216	None ①	V5055B1085		3	5700	240/60				
V4004E1224	V9055A1055	V5055B1150 ③		4	7600	120/60				
V4004E1232	None ①	V5055B1150 ③		4	7600	240/60				
V4004E1240	V9055A1055	V5055B1069	P455A1022	2	2300	120/60				20-150
V4004E1257	None ①	V5055B1069	P455A1022	2	2300	240/60				20-150
V4004E1265	V9055A1055	V5055B1077		2-1/2	4100	120/60				
V4004E1273	None ①	V5055B1077		2-1/2	4100	240/60				
V4004E1281	V9055A1055	V5055B1085		3	5700	120/60				
V4004E1299	None ①	V5055B1085		3	5700	240/60				
V4004E1307	V9055A1055	V5055B1150 ③		4	7600	120/60				
V4004E1315	None ①	V5055B1150 ③		4	7600	240/60				

47

See Footnotes on page 56.

V4004/V8004 DIAPHRAGM VALVE CROSS REFERENCE (Continued).

Device to be Replaced	Current Replacements			Specifications of the Device to be Replaced							Comments						
	Actuator	Valve	Controller	Valve Size (in.)	Capacity (cf/h) ②	Voltage/Frequency	Maximum Operating Pressure (psi)	On-Off Disc	Parabolic Guide	Controlling Range (psi)							
V4004E1323	None ①	V5055B1085	P455A1006 (0-15 psi)	3	5700	208/60	5.0		X	1-25							
V4004F1008	V9055A1055	V5055B1002		P455A1022 (5-150 psi)	1	920	120/60	5.0		X	1.25						
V4004F1016	None ①	V5055B1002	1		920	240/60											
V4004F1024	V9055A1055	V5055B1010	1-1/4		1100	120/60											
V4004F1032	None ①	V5055B1010	1-1/4		1100	240/60											
V4004F1040	V9055A1055	V5055B1028	1-1/2		1450	120/60											
V4004F1057	None ①	V5055B1028	1-1/2		1450	240/60											
V4004F1065	V9055A1055	V5055B1069	2		2300	120/60											
V4004F1073	None ①	V5055B1069	2		2300	240/60											
V4004F1081	V9055A1055	V5055B1002	P455A1022		1	920	120/60									20-150	
V4004F1099	None ①	V5055B1002			1	920	240/60										
V4004F1107	V9055A1055	V5055B1010		1-1/4	1100	120/60											
V4004F1115	None ①	V5055B1010		1-1/4	1100	240/60											
V4004F1123	V9055A1055	V5055B1028		1-1/2	1450	120/60											
V4004F1131	None ①	V5055B1028		1-1/2	1450	240/60											
V4004F1149	V9055A1055	V5055B1069		2	2300	120/60											
V4004F1156	None ①	V5055B1069		2	2300	240/60											
V4004F1164	V9055A1055	V5055B1069		P455A1006 (0-15 psi)	2	2300	120/60				1-25						
V4004F1172	None ①	V5055B1069			2	2300	240/60										
V4004F1180	V9055A1055	V5055B1077	P455A1022 (5-150 psi)		2-1/2	4100	120/60										
V4004F1198	None ①	V5055B1077			2-1/2	4100	240/60										
V4004F1206	V9055A1055	V5055B1085	3		5700	120/60											
V4004F1214	None ①	V5055B1085	3		5700	240/60											
V4004F1222	V9055A1055	V5055B1150 ③	P455A1022		4	7600	120/60										
V4004F1230	None ①	V5055B1150 ③			4	7600	240/60										
V4004F1248	V9055A1055	V5055B1069	P455A1022		2	2300	120/60									20-150	
V4004F1255	None ①	V5055B1069			2	2300	240/60										
V4004F1263	V9055A1055	V5055B1077		2-1/2	4100	120/60											
V4004F1271	None ①	V5055B1077		2-1/2	4100	240/60											
V4004F1289	V9055A1055	V5055B1085		3	5700	120/60											
V4004F1297	None ①	V5055B1085		3	5700	240/60											
V4004F1305	V9055A1055	V5055B1150 ③		4	7600	120/60											
V4004F1313	None ①	V5055B1150 ③		4	7600	240/60											

48

See Footnotes on page 56.

V4004/V8004 DIAPHRAGM VALVE CROSS REFERENCE (Continued).

Device to be Replaced	Current Replacements			Specifications of the Device to be Replaced						Comments	
	Actuator	Valve	Controller	Valve Size (in.)	Capacity (cf/h) ②	Voltage/Frequency	Maximum Operating Pressure (psi)	On-Off Disc	Parabolic Guide		Controlling Range (°F)
V4004G1006	V9055A1055 ↓	V5055B1069	T991E1034	2	2300	120/60 ↓	5.0 ↓		X ↓	90-130	
V4004G1014		V505501069	T991E1018	2	2300					130-230	
V4004G1022		V5055B1002	↓	1	920						
V4004G1030		V5055B1010		1-1/4	1100						
V4004G1048		V5055B1028		1-1/2	1450						
V4004G1055		V505501069		2	2300						
V4004G1063	None	None	None							Never produced.	
V4004G1071	V9055A1055	V5055B1028	T991E1034	1-1/2	1450	120/60	5.0 ↓		X ↓	90-130	
V4004G1089	None ①	V5055B1028	T991E1018	1-1/2	1450	208/60				130-230	
V4004G1097	V9055A1055	V5055B1069	T991E1034	2	2300	120/60				90-130	
V4004G1105	None ①	V505501069	T991E1018	2	2300	208/60				130-230	
V4004G1113	None ①	V5055B1002	T991E1018	1	920	240/60				120-230	
V4004H1104	V9055A1055 ↓	V5055B1069	T991E1034	2	2300	120/60 ↓				5.0 ↓	
V4004H1012		V5055B1069	T991E1018	2	2300		130-230				
V4004H1020		V5055B1002	T991E1034	1	920		90-130				
V4004H1038		V5055B1002	T991E1018	1	920		130-230				
V4004H1046		V5055B1010	T991E1034	1-1/4	1100		90-130				
V4004H1053		V5055B1010	T991E1018	1-1/4	1100		130-230				
V4004H1061		V5055B1028	T991E1034	1-1/2	1450		90-130				
V4004H1079		V5055B1028	T991E1018	1-1/2	1450		130-230				
V4004H1087		V5055B1077	T991E1018	2-1/2	4100		130-230				
V4004H1095		V5055B1077	T991E1034	2-1/2	4100		90-130				

See Footnotes on page 56.

V4004/V8004 DIAPHRAGM VALVE CROSS REFERENCE (Continued).

Device to be Replaced	Current Replacements			Specifications of the Device to be Replaced					Comments
	Actuator	Valve	Controller	Valve Size (in.)	Capacity (cf/h) ⁽²⁾	Voltage/Frequency	Maximum Operating Pressure (psi)	On-Off Disc	
V8004A1000	V4055A1098	V5055A1004		1	920	120/60	5.0	X	
V8004A1018	V4055A1114	V5055A1004		1	920	240/60			
V8004A1026	V4055A1098	V5055A1012		1-1/4	1270	120/60			
V8004A1034	V4055A1114	V5055A1012		1-1/4	1270	240/60			
V8004A1042	V4055A1098	V5055A1020		1-1/2	1690	120/60			
V8004A1059	V4055A1114	V5055A1020		1-1/2	1690	240/60			
V8004A1067	V4055A1098	V5055A1004		1	920	120/60			
V8004A1075	V4055A1114	V5055A1004		1	920	240/60			
V8004A1083	V4055A1098	V5055A1012		1-1/4	1270	120/60			
V8004A1091	V4055A1114	V5055A1012		1-1/4	1270	240/60			
V8004A1109	V4055A1098	V5055A1020		1-1/2	1690	120/60			
V8004A1117	V4055A1114	V5055A1020		1-1/2	1690	240/60			
V8004A1125	V4055A1098	V5055A1038		2	3150	120/60			
V8004A1133	V4055A1114	V5055A1038		2	3150	240/60			
V8004A1141	V4055A1098	V5055A1038		2	3150	120/60			
V8004A1158	V4055A1114	V5055A1038		2	3150	240/60			
V8004A1166	V4055A1098	V5055A1046		2-1/2	4380	120/60			
V8004A1174	V4055A1114	V5055A1046		2-1/2	4380	240/60			
V8004A1182	V4055A1098	V5055A1053		3	6595	120/60			
V8004A1190	V4055A1114	V5055A1053		3	6595	240/60			
V8004A1208	V4055B1039	V5055A1228 ⁽³⁾		4	10605	120/60			
V8004A1216	None ⁽⁵⁾	V5055A1228 ⁽³⁾		4	10605	240/60			
V8004A1224	V4055B1039	V5055A1228 ⁽³⁾		4	10605	120/60			
V8004A1232	None ⁽⁵⁾	V5055A1228 ⁽³⁾		4	10605	240/60			
V8004A1240	None	None ⁽⁴⁾		6	22625	120/60			
V8004A1257	None	None ⁽⁴⁾		6	22625	240/60			
V8004A1265	None ⁽⁵⁾	V5055A1004		1	920	24/60			
V8004A1273	None ⁽⁵⁾	V5055A1012		1-1/4	1270				
V8004A1281	None ⁽⁵⁾	V5055A1020		1-1/2	1690				
V8004A1299	None ⁽⁵⁾	V5055A1004		1	920				
V8004A1307	None ⁽⁵⁾	V5055A1012		1-1/4	1270				
V8004A1315	None ⁽⁵⁾	V5055A1020		1-1/2	1690				
V8004A1323	None ⁽⁵⁾	V5055A1038		2	3150				

See Footnotes on page 56.

V4004/V8004 DIAPHRAGM VALVE CROSS REFERENCE (Continued).

Device to be Replaced	Current Replacements			Specifications of the Device to be Replaced					Comments
	Actuator	Valve	Controller	Valve Size (in.)	Capacity (cf/h) ⁽²⁾	Voltage/Frequency	Maximum Operating Pressure (psi)	On-Off Disc	
V8004A1331	None ⁽⁵⁾	V505A1038		2	3150	24/60 ↓	5.0 ↓	X ↓	
V8004A1349	None ⁽⁵⁾	V5055A1046		2-1/2	4380				
V8004A1356	None ⁽⁵⁾	V5055A1053		3	6595				
V8004A1364	None ⁽⁵⁾	V5055A1228 ⁽³⁾		4	10605				
V8004A1372	None ⁽⁵⁾	V5055A1228 ⁽³⁾		4	10605				
V8004A1380	None	None ⁽⁴⁾		6	22625				
V8004A1398	None			1-1/4	1270	24/50			
V8004B1008	V4055A1098	V5055A1004		1	920	120/60	5.0 ↓	X ↓	
V8004B1016	V4055A1114	V5055A1004		1	920	240/60			
V8004B1024	V4055A1098	V5055A1012		1-1/4	1270	120/60			
V8004B1032	V4055A1114	V5055A1012		1-1/4	1270	240/60			
V8004B1040	V4055A1098	V5055A1020		1-1/2	1690	120/60			
V8004B1057	V4055A1114	V5055A1020		1-1/2	1690	240/60			
V8004B1065	V4055A1098	V5055A1038		2	3150	120/60			
V8004B1073	V4055A1114	V5055A1038		2	3150	240/60			
V8004B1081	V4055A1098	V5055A1038		2	3150	120/60			
V8004B1099	V4055A1114	V5055A1038		2	3150	240/60			
V8004B1107	V4055A1098	V5055A1046		2-1/2	4380	120/60			
V8004B1115	V4055A1114	V5055A1046		2-1/2	4380	240/60			
V8004B1123	V4055A1098	V5055A1053		3	6595	120/60			
V8004B1131	V4055A1114	V5055A1053		3	6595	240/60			
V8004B1149	V4055B1039	V5055A1228 ⁽³⁾		4	10605	120/60			
V8004B1156	None	V5055A1053 ⁽³⁾		4	10605	240/60			
V8004B1164	V4055A1098	V5055A1004		1	920	120/60			
V8004B1172	V4055A1114	V5055A1004		1	920	240/60			
V8004B1180	V4055A1098	V5055A1012		1-1/4	1270	120/60			
V8004B1198	V4055A1114	V5055A1012		1-1/4	1270	240/60			
V8004B1206	V4055A1098	V5055A1020		1-1/2	1690	120/60			
V8004B1214	V4055A1114	V5055A1020		1-1/2	1690	240/60			
V8004B1222	V4055B1039	V5055A1228 ⁽³⁾		4	10605	120/60			
V8004B1230	None ⁽⁵⁾	V5055A1228 ⁽³⁾		4	10605	240/60			
V8004B1248	None	None ⁽⁶⁾		6	22625	120/60			

See Footnotes on page 56.

V4004/V8004 DIAPHRAGM VALVE CROSS REFERENCE (Continued).

Device to be Replaced	Current Replacements			Specifications of the Device to be Replaced					Comments		
	Actuator	Valve	Controller	Valve Size (in.)	Capacity (cf/h) ⁽²⁾	Voltage/Frequency	Maximum Operating Pressure (psi)	On-Off Disc		Parabolic Guide	
V8004B1255	None	None ⁽⁴⁾		6	22625	240/60		X			
V8004B1263	None ⁽⁵⁾	V5055A1004		1	920	↓		↓			
V8004B1271	None ⁽⁵⁾	V5055A1012		1-1/4	1270						
V8004B1289	None ⁽⁵⁾	V5055A1020		1-1/2	1690						
V8004B1297	None ⁽⁵⁾	V5055A1038		2	3150						
V8004B1305	None ⁽⁵⁾	V50S5A1038		2	3150						
V8004B1313	None ⁽⁵⁾	V5055A1046		2-1/2	4380						
V8004B1321	None ⁽⁵⁾	V5055A1053		3	6595						
V8004B1339	None ⁽⁵⁾	V5055A1228 ⁽³⁾		4	10605						
V8004B1347	None ⁽⁵⁾	V5055A1004		1	920						
V8004B1354	None ⁽⁵⁾	V5055A1012		1-1/4	1270						
V8004B1362	None ⁽⁵⁾	V5055A1020		1-1/2	1690						
V8004B1370	None ⁽⁵⁾	V5055A1228 ⁽³⁾		4	10605						
V8004B1388	None	None ⁽⁴⁾		6	22625						
V8004B1396	None ⁽⁵⁾	V5055A1012		1-1/4	1270		24/50				International model.
V8004B1404	None ⁽⁵⁾	V5055A1012		1-1/4	1270		24/50				International model.

See Footnotes on page 56.

V4004/V8004 DIAPHRAGM VALVE CROSS REFERENCE (Continued).

Device to be Replaced	Current Replacements			Specifications of the Device to be Replaced						Comments
	Actuator	Valve	Controller	Valve Size (in.)	Capacity (cf/h) ^②	Voltage/Frequency	Maximum Operating Pressure (psi)	On-Off Disc	Parabolic Guide	
V8004E1001	V9055A1055	V5055B1002	P455A1006 (0-15 psi)	1	920	120/60	5.0		X	1-25
V8004E1019	None ^①	V5055B1002	P455A1022 (5-150 psi)	1	920	240/60				1-25
V8004E1027	V9055A1055	V5055B1010		1-1/4	1100	120/60				
V8004E1035	None ^①	V5055B1010		1-1/4	1100	240/60				
V8004E1043	V9055A1055	V5055B1028		1-1/2	1450	120/60				
V8004E1050	None ^①	V5055B1028		1-1/2	1450	240/60				
V8004E1068	V9055A1055	V5055B1069		2	2300	120/60				
V8004E1076	None ^①	V5055B1069		2	2300	240/60				
V8004E1084	V9055A1055	V5055B1002	P455A1022	1	920	120/60				20-150
V8004E1092	None ^①	V5055B1002	P455A1022	1	920	240/60				
V8004E1100	V9055A1055	V5055B1010		1-1/4	1100	120/60				
V8004E1118	None ^①	V5055B1010		1-1/4	1100	240/60				
V8004E1126	V9055A1055	V5055B1028		1-1/2	1450	120/60				
V8004E1134	None ^①	V5055B1028		1-1/2	1450	240/60				
V8004E1142	V9055A1055	V5055B1069		2	2300	120/60				
V8004E1159	None ^①	V5055B1069		2	2300	240/60				
V8004E1167	V9055A1055	V5055B1069	P455A1006 (0-15 psi)	2	2300	120/60				1-25
V8004E1175	None ^①	V5055B1069	P455A1022 (5-150 psi)	2	2300	240/60				
V8004E1183	V9055A1055	V5055B1077		2-1/2	4100	120/60				
V8004E1191	None ^①	V5055B1077		2-1/2	4100	240/60				
V8004E1209	V9055A1055	V5055B1085		3	5700	120/60				
V8004E1217	None ^①	V5055B1085		3	5700	240/60				
V8004E1225	V9055A1055	V5055B1150 ^③		4	7600	120/60				
V8004E1233	None ^①	V5055B1150 ^③		4	7600	240/60				
V8004E1241	V9055A1055	V5055B1069	P455A1022	2	2300	120/60				20-150
V8004E1258	None ^①	V5055B1069	P455A1022	2	2300	240/60				
V8004E1266	V9055A1055	V5055B1077		2-1/2	4100	120/60				
V8004E1274	None ^①	V5055B1077		2-1/2	4100	240/60				
V8004E1282	V9055A1055	V5055B1085		3	5700	120/60				
V8004E1290	None ^①	V5055B1085		3	5700	240/60				
V8004E1308	V9055A1055	V5055B1150 ^③		4	7600	120/60				
V8004E1316	None ^①	V5055B1150 ^③		4	7600	240/60				

See Footnotes on page 56.

V4004/V8004 DIAPHRAGM VALVE CROSS REFERENCE (Continued).

Device to be Replaced	Current Replacements			Specifications of the Device to be Replaced						Comments																							
	Actuator	Valve	Controller	Valve Size (in.)	Capacity (cf/h) ^②	Voltage/Frequency	Maximum Operating Pressure (psi)	On-Off Disc	Parabolic Guide		Controlling Range (psi)																						
V8004E1324	V9055A1055 ^①	V5055B1002	P455A1006 (0-15 psi)	1	920	24/60	5.0		X	1-25																							
V8004E1332		V5055B1010	P455A1022 (5-150 psi)	1-1/4	1100					↓		↓	↓	↓	↓																		
V8004E1340		V5055B1028		1-1/2	1450																												
V8004E1357		V5055B1069		2	2300																												
V8004E1365		V5055B1002	P455A1022	1	920					↓		↓	↓	↓	↓	↓																	
V8004E1373		V5055B1010	↓	1-1/4	1100																												
V8004E1381		V5055B1028		1-1/2	1450																												
V8004E1399		V5055B1069		2	2300																												
V8004E1407		V5055B1069	P455A1006 (0-15 psi)	2	2300												↓	↓	↓	↓	↓	↓											
V8004E1415		V5055B1077	P455A1022 (5-150 psi)	2-1/2	4100																												
V8004E1423		V5055B1085		3	5700																												
V8004E1431		V5055B1150 ^③		4	7600																												
V8004E1449		V5055B1069	P455A1022	2	2300																		↓	↓	↓	↓	↓	↓					
V8004E1456		V5055B1077	↓	2-1/2	4100																												
V8004E1464		V5055B1085		3	5700																												
V8004E1472		V5055B1150 ^③		4	7600																												
V8004F1009		V9055A1055	V5055B1002	P455A1006 (0-15 psi)	1																								920	120/60	5.0		X
V8004F1017	None ^①	V5055B1002	P455A1022 (5-150 psi)	1	920	↓	↓	↓	↓		↓																						
V8004F1025	V9055A1055	V5055B1010		1-1/4	1100																												
V8004F1033	None ^①	V5055B1010		1-1/4	1100																												
V8004F1041	V9055A1055	V5055B1028	↓	1-1/2	1450	120/60	120/60		↓		↓																						
V8004F1058	None ^①	V5055B1028		1-1/2	1450																												
V8004F1066	V9055A1055	V5055B1069		2	2300																												
V8004F1074	None ^①	V5055B1069		2	2300																												
V8004F1082	V9055A1055	V5055B1002		P455A1022	1					920		120/60	120/60		↓	↓																	
V8004F1090	None ^①	V5055B1002		↓	1					920																							
V8004F1108	V9055A1055	V5055B1010			1-1/4					1100																							
V8004F1116	None ^①	V5055B1010			1-1/4					1100																							
V8004F1124	V9055A1055	V5055B1028		↓	1-1/2					1450							120/60	120/60		↓	↓												
V8004F1132	None ^①	V5055B1028			1-1/2					1450																							
V8004F1140	V9055A1055	V5055B1069			2					2300																							
V8004F1157	None ^①	V5055B1069			2					2300																							

See Footnotes on page 56.

V4004/V8004 DIAPHRAGM VALVE CROSS REFERENCE (Continued).

Device to be Replaced	Current Replacements			Specifications of the Device to be Replaced						Comments				
	Actuator	Valve	Controller	Valve Size (in.)	Capacity (cf/h) ⁽²⁾	Voltage/Frequency	Maximum Operating Pressure (psi)	On-Off Disc	Parabolic Guide		Controlling Range (psi)			
V8004F1165	V9055A1055	V5055B1069	P455A1006 (0-15 psi)	2	2300	120/60	5.0		X	1-25				
V8004F1173	None ⁽¹⁾	V5055B1069	P455A1022 (5-150 psi)	2	2300	240/60				↓	↓	↓	↓	
V8004F1181	V9055A1055	V5055B1077		2-1/2	4100	120/60								
V8004F1199	None ⁽¹⁾	V5055B1077		2-1/2	4100	240/60								
V8004F1207	V9055A1055	V5055B1085		3	5700	120/60								
V8004F1215	None ⁽¹⁾	V5055B1085		3	5700	240/60								
V8004F1223	V9055A1055	V5055B1150		4	7600	120/60								
V8004F1231	None ⁽¹⁾	V5055B1150		4	7600	240/60								
V8004F1249	V9055A1055	V5055B1069		P455A1022	2	2300								120/60
V8004F1256	None ⁽¹⁾	V5055B1069	2	2300	240/60									
V8004F1264	V9055A1055	V5055B11077	2-1/2	4100	120/60									
V8004F1272	None ⁽¹⁾	V5055B1077	2-1/2	4100	240/60									
V8004F1280	V9055A1055	V5055B1085	3	5700	120/60									
V8004F1298	None ⁽¹⁾	V5055B1085	3	5700	240/60									
V8004F1306	V9055A1055	V5055B1150	4	7600	120/60									
V8004F1314	None ⁽¹⁾	V5055B1150	4	7600	240/60									
V8004F1322	V9055A1055 ⁽¹⁾	V5055B1002	P455A1006 (0-15 psi)	1	920	24 /60							1-25	
V8004F1330	↓	V5055B1010	P455A1022 (5-150 psi)	1-1/4	1100	↓								
V8004F1348		V5055B1028		1-1/2	1450									
V8004F1355		V5055B1069	2	2300										
V8004F1363		V5055B1002	P455A1022	1	920								20-150	
V8004F1371		V5055B1010	1-1/4	1100										
V8004F1389		V5055B1028	1-1/2	1450										
V8004F1397		V5055B1069	2	2300										
V8004F1405		V5055B1069	P455A1006 (0-15 psi)	2	2300		1-25							
V8004F1413		V5055B1077	P455A1022 (5-150 psi)	2-1/2	4100									
V8004F1421		V5055B1085		3	5700									
V8004F1439		V5055B1150		4	7600									
V8004F1447		V5055B1069	P455A1022	2	2300		20-150							
V8004F1454		V5055B1077	2-1/2	4100										
V8004F1462		V5055B1085	3	5100										
V8004F1470		V5055B1150	4	7600										

55

See Footnotes on page 56.

V4004/V8004 DIAPHRAGM VALVE CROSS REFERENCE (Continued).

Device to be Replaced	Current Replacements			Specifications of the Device to be Replaced							Comments
	Actuator	Valve	Controller	Valve Size (in.)	Capacity (cf/h) ^②	Voltage/Frequency	Maximum Operating Pressure (psi)	On-Off Disc	Parabolic Guide	Controlling Range (°F)	
V8004G1007	V9055A1055 ^①	V5055B1028	T931E1034	1-1/2	1450	24/60	5.0		X	130-230	
V8004H1005	V9055A1055 ^①	V5055B1028	T991E1034	1-1/2	1450	24/60	5.0		X	130-230	

FOOTNOTES:

- ① Recommend modernizing to 120V/60 Hz and selecting proper V9055A Actuator, V5055B Valve and P455A or T991E Controller.
- ② Capacity indicated is for 1 in. w.c. pressure drop (0.64 specific gravity gas) across the valve.
- ③ Replacement has flanged connections.
- ④ 6-inch valve not available.
- ⑤ Recommend modernizing to 120V/60 Hz and selecting proper V4055A Actuator and V5055A Valve.

V4004/V8004 DIAPHRAGM VALVE CROSS REFERENCE.

Device To Be Replaced	Current Replacement			Specifications of the Device to be Replace							Comments
	Actuator	V5097 Valve and Pipe Adapter	Controller	Valve Size in in.	Capacity (cfh) ②	Voltage/Frequency	Maximum OPR Pressure (psi)	On-Off Disk	Parabolic Guide	Controlling Range (psi)	
V4004A1009	V4055A1098	V5097A1004, 32000109-002		1	920	120/60	5.0	X			
V4004A1017	V4055A1114	V5097A1004, 32000109-002		1	920	240/60					
V4004A1025	V4055A1098	V5097A1004, 32000109-003		1-1/4	1270	120/60					
V4004A1033	V4055A1114	V5097A1004, 32000109-003		1-1/4	1270	240/60					
V4004A1041	V4055A1098	V5097A1004, 32000109-004		1-1/2	1690	120/60					
V4004A1058	V4055A1114	V5097A1004, 32000109-004		1-1/2	1690	240/60					
V4004A1066	V4055A1098	V5097A1012, 32001605-001		2	3150	120/60					
V4004A1074	V4055A1114	V5097A1012, 32001605-001		2	3150	240/60					
V4004A1082	V4055A1098	V5097A1004, 32001605-001		2	3150	120/60					
V4004A1090	V4055A1114	V5097A1012, 32001605-001		2	3150	240/60					
V4004A1108	V4055A1098	V5097A1012, 32001605-002		2-1/2	4380	120/60					
V4004A1116	V4055A1114	V5097A1012, 32001605-002		2-1/2	4380	240/60					
V4004A1124	V4055A1098	V5097A1012, 32001605-003		3	6595	120/60					
V4004A1132	V4055A1114	V5097A1012, 32001605-003		3	6595	240/60					
V4004A1165	V4055A1098	V5097A1004, 32000109-002		1	920	120/60					
V4004A1173	V4055A1114	V5097A1004, 32000109-002		1	920	240/60					
V4004A1181	V4055A1098	V5097A1004, 32000109-003		1-1/4	1270	120/60					
V4004A1199	V4055A1114	V5097A1004, 32000109-003		1-1/4	1270	240/60					
V4004A1207	V4055A1098	V5097A1004, 32000109-004		1-1/2	1690	120/60					
V4004A1215	V4055A1114	V5097A1004, 32000109-004		1-1/2	1690	240/60					

57

See Footnotes on page 73.

V4004/V8004 DIAPHRAGM VALVE CROSS REFERENCE (Continued).

Device To Be Replaced	Current Replacement			Specifications of the Device to be Replace							Comments
	Actuator	V5097 Valve and Pipe Adapter	Controller	Valve Size in in.	Capacity (cfh) ⁽²⁾	Voltage/Frequency	Maximum OPR Pressure (psi)	On-Off Disk	Parabolic Guide	Controlling Range (psi)	
V4004A1264	V4055A1098	V5097B1002, 32000109-002		1	920	120/60	5.0 ↓		X		
V4004A1272	V4055A1098	V5097B1002, 32000109-003		1-1/4	1270	120/60					
V4004A1280	V4055A1098	V5097B1002, 32000109-004		1-1/2	1690	120/60					
V4004A1298	V4055A1098	V5097B1010, 32001605-001		2	3150	120/60					
V4004A1306	V4055A1098	V5097B1010, 32001605-001		2	3150	120/60					
V4004A1314	V4055A1098	V5097B1010, 32001605-002		2-1/2	4380	120/60					
V4004A1322	V4055A1098	V5097B1010, 32001605-003		3	5700	120/60					
V4004A1348	V4055A1114	V5097B1010, 32001605-003		3	5700	240/60					
V4004A1355	V4055A1114	V5097B1010, 32001605-002		2-1/2	4100	240/60					
V4004A1363	V4055A1130	V5097A1004, 32000109-003		1-1/4	1270	220/50			X		International model.
V4004A1389	None	None		2	3150	208/60			↓		
V4004A1397	V4055A1130	V5097A1012, 32001605-001		2	3150	220/50					International model.
V4004A1405	V4055A1130	V5097A1012, 32001605-003		3	6595	220/50			X		
V4004B1007	V4055A1098	V5097A1004, 32000109-002		1	920	120/60	5.0 ↓	X			
V4004B1015	V4055A1114	V5097A1004, 32000109-002		1	920	240/60					
V4004B1023	V4055A1098	V5097A1004, 32000109-003		1-1/4	1270	120/60					
V4004B1031	V4055A1114	V5097A1004, 32000109-003		1-1/4	1270	240/60					
V4004B1049	V4055A1098	V5097A1004, 32000109-004		1-1/2	1690	120/60					
V4004B1056	V4055A1114	V5097A1004, 32000109-004		1-1/2	1690	240/60			↓		

58

See Footnotes on page 73.

V4004/V8004 DIAPHRAGM VALVE CROSS REFERENCE (Continued).

Device To Be Replaced	Current Replacement			Specifications of the Device to be Replace							Comments	
	Actuator	V5097 Valve and Pipe Adapter	Controller	Valve Size in in.	Capacity (cfh) ⁽²⁾	Voltage/Frequency	Maximum OPR Pressure (psi)	On-Off Disk	Parabolic Guide	Controlling Range (psi)		
V4004B1064	V4055A1098	V5097A1012, 32001605-001		2	3150	120/60	5.0 ↓	X ↓				
V4004B1072	V4055A1114	V5097A1012, 32001605-001		2	3150	240/60						
V4004B1080	V4055A1098	V5097A1012, 32001605-001		2	3150	120/60						
V4004B1098	V4055A1114	V5097A1012, 32001605-001		2	3150	240/60						
V4004B1106	V4055A1098	V5097A1012, 32001605-002		2-1/2	4380	120/60						
V4004B1114	V4055A1114	V5097A1012, 32001605-002		2-1/2	4380	240/60						
V4004B1122	V4055A1098	V5097A1012, 32001605-003		3	6595	120/60						
V4004B1130	V4055A1114	V5097A1012, 32001605-003		3	6595	240/60						
V4004B1163	V4055A1098	V5097A1004, 32000109-002		1	920	120/60						
V4004B1171	V4055A1114	V5097A1004, 32000109-002		1	920	240/60						
V4004B1189	V4055A1098	V5097A1004, 32000109-003		1-1/4	1270	120/60						
V4004B1197	V4055A1114	V5097A1004, 32000109-003		1-1/4	1270	240/60						
V4004B1205	V4055A1098	V5097A1004, 32000109-004		1-1/2	1690	120/60						
V4004B1213	V4055A1114	V5097A1004, 32000109-004		1-1/2	1690	240/60						
V4004B1262	V4055A1098	V5097A1002, 32000109-002		1	920	120/60				X ↓		
V4004B1270	V4055A1098	V5097A1002, 32000109-003		1-1/4	1100	120/60						
V4004B1288	V4055A1098	V5097A1002, 32000109-004		1-1/2	1450	120/60						
V4004B1296	V4055A1098	V5097A1010, 32001605-001		2	2300	120/60						
V4004B1304	V4055A1098	V5097A1010, 32001605-001		2	2300	120/60						
V4004B1312	V4055A1098	V5097A1010, 32001605-002		2-1/2	4100	120/60						

59

See Footnotes on page 73.

V4004/V8004 DIAPHRAGM VALVE CROSS REFERENCE (Continued).

Device To Be Replaced	Current Replacement			Specifications of the Device to be Replace							Comments
	Actuator	V5097 Valve and Pipe Adapter	Controller	Valve Size in in.	Capacity (cfh) ②	Voltage/Frequency	Maximum OPR Pressure (psi)	On-Off Disk	Parabolic Guide	Controlling Range (psi)	
V4004B1320	V4055A1098	V5097A1010, 32001605-003		3	5700	120/60	5.0 ↓		X		
V4004B1346	V4055A1130	V5097A1012, 32001605-001		2	3150	220/50		X			International model.
V4004B1353	V4055A1130	V5097A1004, 32000109-002		1	920	220/50					International model.
V4004B1361	V4055A1130	V5097A1004, 32000109-003		1-1/4	1270	220/50					International model.
V4004B1379	V4055A1130	V5097A1012, 32001605-001		2	3150	220/50					International model.
V4004B1387	V4055A1130	V5097A1012, 32001605-002		2-1/2	4380	220/50					International model.
V4004B1395	None	None		2-1/2	4380	208/60					
V4004B1403	None	None		2-1/2	4380	120/50					International model.
V4004B1411	None	None		2	3150	120/50					International model.
V4004B1429	None	None		1-1/4	1270	120/50					International model.
V4004B1437	V4055A1130	V5097A1012, 32001605-003		3	6595	220/50					International model.
V4004B1445	V4055A1130	V5097A1012, 32001605-004		1-1/2	1690	220/50					International model.
V4004E1000	V9055A1055	V5097B1002, 32000109-002	P455A1006 (0-15 psi) P455A1022 (5-150 psi)	1	920	120/60		5.0 ↓		X	1-25
V4004E1018	None ①	V5097B1002, 32000109-002		1	920	240/60					
V4004E1026	V9055A1055	V5097B1002, 32000109-003		1-1/4	1100	120/60					
V4004E1034	None ①	V5097B1002, 32000109-003		1-1/4	1100	240/60					
V4004E1042	V9055A1055	V5097B1002, 32000109-004		1-1/2	1450	120/60					
V4004E1059	None ①	V5097B1002, 32000109-004		1-1/2	1450	240/60					
V4004E1067	V9055A1055	V5097B1010, 32001605-001		2	2300	120/60					
V4004E1075	None ①	V5097B1010, 32001605-001		2	2300	240/60					

See Footnotes on page 73.

V4004/V8004 DIAPHRAGM VALVE CROSS REFERENCE (Continued).

Device To Be Replaced	Current Replacement				Specifications of the Device to be Replace						Comments				
	Actuator	V5097 Valve and Pipe Adapter	Controller	Valve Size in in.	Capacity (cfh) ⁽²⁾	Voltage/Frequency	Maximum OPR Pressure (psi)	On-Off Disk	Parabolic Guide	Controlling Range (psi)					
V4004E1083	V9055A1055	V5097B1002, 32000109-002	P455A1022	1	920	120/60	5.0		X	20-150					
V4004E1091	None ⁽¹⁾	V5097B1002, 32000109-002		1	920	240/60	↓		↓	↓					
V4004E1109	V9055A1055	V5097B1002, 32000109-003		1-1/4	1100	120/60									
V4004E1117	None ⁽¹⁾	V5097B1002, 32000109-003		1-1/4	1100	240/60									
V4004E1125	V9055A1055	V5097B1002, 32000109-004		1-1/2	1450	120/60									
V4004E1133	None ⁽¹⁾	V5097B1002, 32000109-004		1-1/2	1450	240/60									
V4004E1141	V9055A1055	V5097B1010, 32001605-001		2	2300	120/60									
V4004E1158	None ⁽¹⁾	V5097B1010, 32001605-001		2	2300	240/60									
V4004E1166	V9055A1055	V5097B1010, 32001605-001	P455A1006 (0-15 psi) P455A1022 (5-150 psi)	2	2300	120/60							1-25	↓	
V4004E1174	None ⁽¹⁾	V5097B1010, 32001605-001		2	2300	240/60									
V4004E1182	V9055A1055	V5097B1002, 32001605-002		2-1/2	4100	120/60									
V4004E1190	None ⁽¹⁾	V5097B1010, 32001605-002		2-1/2	4100	240/60									
V4004E1208	V9055A1055	V5097B1010, 32001605-003		3	5700	120/60									
V4004E1216	None ⁽¹⁾	V5097B1010, 32001605-003		3	5700	240/60									
V4004E1240	V9055A1055	V5097B1010, 32001605-001	P455A1022	2	2300	120/60						20-150			
V4004E1257	None ⁽¹⁾	V5097B1010, 32001605-001		2	2300	240/60									
V4004E1265	V9055A1055	V5097B1002, 32000109-002		2-1/2	4100	120/60									
V4004E1273	None ⁽¹⁾	V5097B1010, 32001605-002		2-1/2	4100	240/60									
V4004E1281	V9055A1055	V5097B1010, 32001605-003		3	5700	120/60									

61

V4004/V8004 DIAPHRAGM VALVE CROSS REFERENCE (Continued).

Device To Be Replaced	Current Replacement			Specifications of the Device to be Replace							Comments		
	Actuator	V5097 Valve and Pipe Adapter	Controller	Valve Size in in.	Capacity (cfh) ②	Voltage/Frequency	Maximum OPR Pressure (psi)	On-Off Disk	Parabolic Guide	Controlling Range (psi)			
V4004E1299	None ①	V5097B1002, 32000109-003		3	5700	240/60	5.0 ↓		X ↓	20-150			
V4004E1323	None ①	V5097B1010, 32001605-003	P455A1006 (0-15 psi) P455A1022 (5-150 psi)	3	5700	208/60					1-25		
V4004F1008	V9055A1055	V5097B1002, 32000109-002		1	920	120/60	5.0 ↓		X ↓	1-25			
V4004F1016	None ①	V5097B1002, 32000109-002		1	920	240/60							
V4004F1024	V9055A1055	V5097B1002, 32000109-003		1-1/4	1100	120/60							
V4004F1032	None ①	V5097B1002, 32000109-003		1-1/4	1100	240/60							
V4004F1040	V9055A1055	V5097B1002, 32000109-004		1-1/2	1450	120/60							
V4004F1057	None ①	V5097B1002, 32000109-004		1-1/2	1450	240/60							
V4004F1065	V9055A1055	V5097B1010, 32001605-001		2	2300	120/60							
V4004F1073	None ①	V5097B1010, 32001605-001		2	2300	240/60							
V4004F1081	V9055A1055	V5097B1002, 32000109-002	P455A1022	1	920	120/60						20-150 ↓	
V4004F1099	None ①	V5097B1002, 32000109-002		1	920	240/60							
V4004F1107	V9055A1055	V5097B1002, 32000109-003		1-1/4	1100	120/60							
V4004F1115	None ①	V5097B1002, 32000109-003		1-1/4	1100	240/60							
V4004F1123	V9055A1055	V5097B1002, 32000109-004		1-1/2	1450	120/60							
V4004F1131	None ①	V5097B1002, 32000109-004		1-1/2	1450	240/60							
V4004F1149	V9055A1055	V5097B1010, 32001605-001		2	2300	120/60							
V4004F1156	None ①	V5097B1010, 32001605-001		2	2300	240/60							

See Footnotes on page 73.

V4004/V8004 DIAPHRAGM VALVE CROSS REFERENCE (Continued).

Device To Be Replaced	Current Replacement			Specifications of the Device to be Replace							Comments
	Actuator	V5097 Valve and Pipe Adapter	Controller	Valve Size in in.	Capacity (cfh) ②	Voltage/Frequency	Maximum OPR Pressure (psi)	On-Off Disk	Parabolic Guide	Controlling Range (psi)	
V4004F1164	V9055A1055	V5097B1010, 32001605-001	P455A1006 (0-15 psi) P455A1022 (5-150 psi)	2	2300	120/60	5.0 ↓	X ↓	1-25		
V4004F1172	None ①	V5097B1010, 32001605-001		2	2300	240/60			1-25		
V4004F1180	V9055A1055	V5097B1010, 32001605-002	2-1/2	4100	120/60	1-25					
V4004F1198	None ①	V5097B1010, 32001605-002	2-1/2	4100	240/60	1-25					
V4004F1206	V9055A1055	V5097B1010, 32001605-003	3	5700	120/60	1-25					
V4004F1214	None ①	V5097B1010, 32001605-003	3	5700	240/60	1-25					
V4004F1248	V9055A1055	V5097B1010, 32001605-001	P455A1022	2	2300	120/60			20-150		
V4004F1255	None ①	V5097B1010, 32001605-001		2	2300	240/60			20-150		
V4004F1263	V9055A1055	V5097B1010, 32001605-002		2-1/2	4100	120/60			20-150		
V4004F1271	None ①	V5097B1010, 32001605-002		2-1/2	4100	240/60			20-150		
V4004F1289	V9055A1055	V5097B1010, 32001605-003		3	5700	120/60			20-150		
V4004F1297	None ①	V5097B1010, 32001605-003		3	5700	240/60			20-150		
V4004G1006	V9055A1055	V5097B1010, 32001605-001	T991E1034	2	2300	120/60			5.0 ↓		X ↓
V4004G1014	V9055A1055	V5097B1010, 32001605-001	T991E1018	2	2300	120/60	90-130				
V4004G1022	V9055A1055	V5097B1002, 32000109-002		1	920	120/60	130-230				
V4004G1030	V9055A1055	V5097B1002, 32000109-003		1-1/4	1100	120/60	130-230				
V4004G1048	V9055A1055	V5097B1002, 32000109-004		1-1/2	1450	120/60	130-230				
V4004G1055	V9055A1055	V5097B1010, 32001605-001		2	2300	120/60	130-230				

See Footnotes on page 73.

V4004/V8004 DIAPHRAGM VALVE CROSS REFERENCE (Continued).

Device To Be Replaced	Current Replacement			Specifications of the Device to be Replace							Comments
	Actuator	V5097 Valve and Pipe Adapter	Controller	Valve Size in in.	Capacity (cfh) ②	Voltage/Frequency	Maximum OPR Pressure (psi)	On-Off Disk	Parabolic Guide	Controlling Range (psi)	
V4004G1071	V9055A1055	V5097B1002, 32000109-004	T991E1034	1-1/2	1450	120/60	5.0 ↓		X ↓	90-130	
V4004G1089	None ①	V5097B1002, 32000109-004	T991E1018	1-1/2	1450	208/60		130-230			
V4004G1097	V9055A1055	V5097B1010, 32001605-001	T991E1034	2	2300	120/60		90-130			
V4004G1105	None ①	V5097B1010, 32001605-001	T991E1018	2	2300	208/60		130-230			
V4004G1113	None ①	V5097B1002, 32000109-002	T991E1018	1	920	240/60		120-230			
V4004H1104	V9055A1055	V5097B1010, 32001605-001	T991E1034	2	2300	120/60	5.0 ↓		X ↓	90-130	
V4004H1012	V9055A1055	V5097B1010, 32001605-001	T991E1018	2	2300	120/60		130-230			
V4004H1020	V9055A1055	V5097B1002, 32000109-002	T991E1034	1	920	120/60		90-130			
V4004H1038	V9055A1055	V5097B1002, 32000109-002	T991E1018	1	920	120/60		130-230			
V4004H1046	V9055A1055	V5097B1002, 32000109-003	T991E1034	1-1/4	1100	120/60		90-130			
V4004H1053	V9055A1055	V5097B1002, 32000109-003	T991E1018	1-1/4	1100	120/60		130-230			
V4004H1061	V9055A1055	V5097B1002, 32000109-004	T991E1034	1-1/2	1450	120/60		90-130			
V4004H1079	V9055A1055	V5097B1002, 32000109-004	T991E1018	1-1/2	1450	120/60		130-230			
V4004H1087	V9055A1055	V5097B1010, 32001605-002	T991E1018	2-1/2	4100	120/60		130-230			
V4004H1095	V9055A1055	V5097B1010, 32001605-002	T991E1034	2-1/2	4100	120/60		90-130			
V8004A1000	V4055A1098	V5097A1004, 32000109-002		1	920	120/60		5.0 ↓		X	
V8004A1018	V4055A1114	V5097A1004, 32000109-002		1	920	240/60					
V8004A1026	V4055A1098	V5097A1004, 32000109-003		1-1/4	1270	120/60					

See Footnotes on page 73.

V4004/V8004 DIAPHRAGM VALVE CROSS REFERENCE (Continued).

Device To Be Replaced	Current Replacement			Specifications of the Device to be Replace							Comments
	Actuator	V5097 Valve and Pipe Adapter	Controller	Valve Size in in.	Capacity (cfh) (2)	Voltage/Frequency	Maximum OPR Pressure (psi)	On-Off Disk	Parabolic Guide	Controlling Range (psi)	
V8004A1034	V4055A1114	V5097A1004, 32000109-003		1-1/4	1270	240/60	5.0 ↓	X ↓			
V8004A1042	V4055A1098	V5097A1004, 32000109-004		1-1/2	1690	120/60					
V8004A1059	V4055A1114	V5097A1004, 32000109-004		1-1/2	1690	240/60					
V8004A1067	V4055A1098	V5097A1004, 32000109-002		1	920	120/60					
V8004A1075	V4055A1114	V5097A1004, 32000109-002		1	920	240/60					
V8004A1083	V4055A1098	V5097A1004, 32000109-003		1-1/4	1270	120/60					
V8004A1091	V4055A1114	V5097A1004, 32000109-003		1-1/4	1270	240/60					
V8004A1109	V4055A1098	V5097A1004, 32000109-004		1-1/2	1690	120/60					
V8004A1117	V4055A1114	V5097A1004, 32000109-004		1-1/2	1690	240/60					
V8004A1125	V4055A1098	V5097A1012, 32001605-001		2	3150	120/60					
V8004A1133	V4055A1114	V5097A1012, 32001605-001		2	3150	240/60					
V8004A1141	V4055A1098	V5097A1012, 32001605-001		2	3150	120/60					
V8004A1158	V4055A1114	V5097A1012, 32001605-001		2	3150	240/60					
V8004A1166	V4055A1098	V5097A1012, 32001605-002		2-1/2	4380	120/60					
V8004A1174	V4055A1114	V5097A1012, 32001605-002		2-1/2	4380	240/60					
V8004A1182	V4055A1098	V5097A1012, 32001605-003		3	6595	120/60					
V8004A1190	V4055A1114	V5097A1012, 32001605-003		3	6595	240/60					
V8004A1265	None (5)	V5097A1004, 32000109-002		1	920	24/60					
V8004A1273	None (5)	V5097A1004, 32000109-003		1-1/4	1270	24/60					
V8004A1281	None (5)	V5097A1004, 32000109-004		1-1/2	1690	24/60					

See Footnotes on page 73.

65

V4004/V8004 DIAPHRAGM VALVE CROSS REFERENCE (Continued).

Device To Be Replaced	Current Replacement			Specifications of the Device to be Replace							Comments
	Actuator	V5097 Valve and Pipe Adapter	Controller	Valve Size in in.	Capacity (cfh) (2)	Voltage/Frequency	Maximum OPR Pressure (psi)	On-Off Disk	Parabolic Guide	Controlling Range (psi)	
V8004A1299	None (5)	V5097A1004, 32000109-002		1	920	24/60	5.0 ↓	X ↓			
V8004A1307	None (5)	V5097A1004, 32000109-003		1-1/4	1270	24/60					
V8004A1315	None (5)	V5097A1004, 32000109-004		1-1/2	1690	24/60					
V8004A1323	None (5)	V5097A1012, 32001605-001		2	3150	24/60					
V8004A1331	None (5)	V5097A1012, 32001605-001		2	3150	24/60					
V8004A1349	None (5)	V5097A1012, 32001605-002		2-1/2	4380	24/60					
V8004A1356	None (5)	V5097A1012, 32001605-003		3	6595	24/60					
V8004B1008	V4055A1098	V5097A1004, 32000109-002		1	920	120/60	5.0 ↓	X ↓			
V8004B1016	V4055A1114	V5097A1004, 32000109-002		1	920	240/60					
V8004B1024	V4055A1098	V5097A1004, 32000109-003		1-1/4	1270	120/60					
V8004B1032	V4055A1114	V5097A1004, 32000109-003		1-1/4	1270	240/60					
V8004B1040	V4055A1098	V5097A1004, 32000109-004		1-1/2	1690	120/60					
V8004B1057	V4055A1114	V5097A1004, 32000109-004		1-1/2	1690	240/60					
V8004B1065	V4055A1098	V5097A1012, 32001605-001		2	3150	120/60					
V8004B1073	V4055A1114	V5097A1012, 32001605-001		2	3150	240/60					
V8004B1081	V4055A1098	V5097A1012, 32001605-001		2	3150	120/60					
V8004B1099	V4055A1114	V5097A1012, 32001605-001		2	3150	240/60					
V8004B1107	V4055A1098	V5097A1012, 32001605-002		2-1/2	4380	120/60					
V8004B1115	V4055A1114	V5097A1012, 32001605-002		2-1/2	4380	240/60					

See Footnotes on page 73.

99

V4004/V8004 DIAPHRAGM VALVE CROSS REFERENCE (Continued).

Device To Be Replaced	Current Replacement			Specifications of the Device to be Replace							Comments	
	Actuator	V5097 Valve and Pipe Adapter	Controller	Valve Size in in.	Capacity (cfh) (2)	Voltage/Frequency	Maximum OPR Pressure (psi)	On-Off Disk	Parabolic Guide	Controlling Range (psi)		
V8004B1123	V4055A1098	V5097A1012, 32001605-003		3	6595	120/60	5.0 ↓	X ↓				
V8004B1131	V4055A1114	V5097A1012, 32001605-003		3	6595	240/60						
V8004B1164	V4055A1098	V5097A1004, 32000109-002		1	920	24/60						
V8004B1172	V4055A1114	V5097A1004, 32000109-002		1	920	240/60						
V8004B1180	V4055A1098	V5097A1004, 32000109-003		1-1/4	1270	120/60						
V8004B1198	V4055A1114	V5097A1004, 32000109-003		1-1/4	1270	240/60						
V8004B1206	V4055A1098	V5097A1004, 32000109-004		1-1/2	1690	120/60						
V8004B1214	V4055A1114	V5097A1004, 32000109-004		1-1/2	1690	240/60						
V8004B1263	None (5)	V5097A1004, 32000109-002		1	920	24/60						
V8004B1271	None (5)	V5097A1004, 32000109-003		1-1/4	1270	24/60						
V8004B1289	None (5)	V5097A1004, 32000109-004		1-1/2	1690	24/60						
V8004B1297	None (5)	V5097A1012, 32001605-001		2	3150	24/60						
V8004B1305	None (5)	V5097A1012, 32001605-001		2	3150	24/60						
V8004B1313	None (5)	V5097A1012, 32001605-002		2-1/2	4380	24/60						
V8004B1321	None (5)	V5097A1012, 32001605-003		3	6595	24/60						
V8004B1347	None (5)	V5097A1004, 32000109-002		1	920	24/60						
V8004B1354	None (5)	V5097A1004, 32000109-003		1-1/4	1270	24/60						
V8004B1362	None (5)	V5097A1004, 32000109-004		1-1/2	1690	24/60						
V8004B1396	None (5)	V5097A1004, 32000109-003		1-1/4	1270	24/50						International model.

67

V4004/V8004 DIAPHRAGM VALVE CROSS REFERENCE (Continued).

Device To Be Replaced	Current Replacement			Specifications of the Device to be Replace							Comments		
	Actuator	V5097 Valve and Pipe Adapter	Controller	Valve Size in in.	Capacity (cfh) ②	Voltage/Frequency	Maximum OPR Pressure (psi)	On-Off Disk	Parabolic Guide	Controlling Range (psi)			
V8004B1404	None ⑤	V5097A1004, 32000109-004		1-1/4	1270	24/50	5.0	X			International model.		
V8004E1001	V9055A1055	V5097B1002, 32000109-002	P455A1006 (0-15 psi) P455A1022 (5-150 psi)	1	920	120/60	5.0 ↓	X ↓	1-25 ↓				
V8004E1019	None ①	V5097B1002, 32000109-002		1	920	240/60							
V8004E1027	V9055A1055	V5097B1002, 32000109-003		1-1/4	1100	120/60							
V8004E1035	None ①	V5097B1002, 32000109-003		1-1/4	1100	240/60							
V8004E1043	V9055A1055	V5097B1002, 32000109-004		1-1/2	1450	120/60							
V8004E1050	None ①	V5097B1002, 32000109-004		1-1/2	1450	240/60							
V8004E1068	V9055A1055	V5097B1010, 32001605-001		2	2300	120/60							
V8004E1076	None ①	V5097B1010, 32001605-001		2	2300	240/60							
V8004E1084	V9055A1055	V5097B1002, 32000109-002	P455A1022	1	920	120/60						20-150	
V8004E1092	None ①	V5097B1002, 32000109-002		1	920	240/60							
V8004E1100	V9055A1055	V5097B1002, 32000109-003		1-1/4	1100	120/60							
V8004E1118	None ①	V5097B1002, 32000109-003		1-1/4	1100	240/60							
V8004E1126	V9055A1055	V5097B1002, 32000109-004	P455A1022	1-1/2	1450	120/60							
V8004E1134	None ①	V5097B1002, 32000109-004		1-1/2	1450	240/60							
V8004E1142	V9055A1055	V5097B1010, 32001605-001		2	2300	120/60							
V8004E1159	None ①	V5097B1010, 32001605-001		2	2300	240/60							

89

See Footnotes on page 73.

V4004/V8004 DIAPHRAGM VALVE CROSS REFERENCE (Continued).

Device To Be Replaced	Current Replacement			Specifications of the Device to be Replace							Comments
	Actuator	V5097 Valve and Pipe Adapter	Controller	Valve Size in in.	Capacity (cfh) ⁽²⁾	Voltage/Frequency	Maximum OPR Pressure (psi)	On-Off Disk	Parabolic Guide	Controlling Range (psi)	
V8004E1167	V9055A1055	V5097B1010, 32001605-001	P455A1006 (0-15 psi) P455A1022 (5-150 psi)	2	2300	120/60	5.0		X	1-25	
V8004E1175	None ⁽¹⁾	V5097B1010, 32001605-001		2	2300	240/60					
V8004E1183	V9055A1055	V5097B1010, 32001605-002		2-1/2	4100	120/60					
V8004E1191	None ⁽¹⁾	V5097B1010, 32001605-002		2-1/2	4100	240/60					
V8004E1209	V9055A1055	V5097B1010, 32001605-003		3	5700	120/60					
V8004E1217	None ⁽¹⁾	V5097B1010, 32001605-003		3	5700	240/60					
V8004E1241	V9055A1055	V5097B1010, 32001605-001	P455A1022	2	2300	120/60				20-150	
V8004E1258	None ⁽¹⁾	V5097B1010, 32001605-001		2	2300	240/60					
V8004E1266	V9055A1055	V5097B1010, 32001605-002		2-1/2	4100	120/60					
V8004E1274	None ⁽¹⁾	V5097B1010, 32001605-002	P455A1022	2-1/2	4100	240/60					
V8004E1282	V9055A1055	V5097B1010, 32001605-003		3	5700	120/60					
V8004E1290	None ⁽¹⁾	V5097B1010, 32001605-003		3	5700	240/60					
V8004E1324	V9055A1055 ⁽¹⁾	V5097B102, 32000109-002	P455A1006 (0-15 psi) P455A1022 (5-150 psi)	1	920	24/60	5.0		X	1-25	
V8004E1332		V5097B1002, 32000109-003		1-1/4	1100						
V8004E1340		V5097B1002, 32000109-004		1-1/2	1450						
V8004E1357		V5097B1010, 32001605-001		2	2300						
V8004E1365		V5097B1002, 32000109-002	P455A1022	1	920					20-150	

See Footnotes on page 73.

V4004/V8004 DIAPHRAGM VALVE CROSS REFERENCE (Continued).

Device To Be Replaced	Current Replacement			Specifications of the Device to be Replace						Comments	
	Actuator	V5097 Valve and Pipe Adapter	Controller	Valve Size in in.	Capacity (cfh) ②	Voltage/Frequency	Maximum OPR Pressure (psi)	On-Off Disk	Parabolic Guide		Controlling Range (psi)
V8004E1373	V9055A1055 ① ↓	V5097B1002, 32000109-003	P455A1022 ↓	1-1/4	1100	24/60 ↓	5.0 ↓		X ↓	20-150 ↓	
V8004E1381		V5097B1002, 32000109-004		1-1/2	1450						
V8004E1399		V5097B1010, 32001605-001		2	2300						
V8004E1407		V5097B1010, 32001605-001	P455A1006 (0-15 psi) P455A1022 (5-150 psi) ↓	2	2300					1-25 ↓	
V8004E1415		V5097B1010, 32001605-002		2-1/2	4100						
V8004E1423		V5097B1010, 32001605-003		3	5700						
V8004E1449		V5097B1010, 32001605-001	P455A1022 ↓	2	2300					20-150 ↓	
V8004E1456		V5097B1010, 32001605-002		2-1/2	4100						
V8004E1464		V5097B1010, 32001605-003		3	5700						
V8004F1009	V9055A1055	V5097B1002, 32000109-002	P455A1006 (0-15 psi) P455A1022 (5-150 psi) ↓	1	920	120/60	5.0 ↓		X ↓	1-25 ↓	
V8004F1017	None ①	V5097B1002, 32000109-002		1	920	240/60					
V8004F1025	V9055A1055	V5097B1002, 32000109-003		1-1/4	1100	120/60					
V8004F1033	None ①	V5097B1002, 32000109-003		1-1/4	1100	240/60					
V8004F1041	V9055A1055	V5097B1002, 32000109-004		1-1/2	1450	120/60					
V8004F1058	None ①	V5097B1002, 32000109-004		1-1/2	1450	240/60					
V8004F1066	V9055A1055	V5097B1010, 32001605-001		2	2300	120/60					
V8004F1074	None ①	V5097B1010, 32001605-001		2	2300	240/60					

See Footnotes on page 73.

V4004/V8004 DIAPHRAGM VALVE CROSS REFERENCE (Continued).

Device To Be Replaced	Current Replacement			Specifications of the Device to be Replace							Comments
	Actuator	V5097 Valve and Pipe Adapter	Controller	Valve Size in in.	Capacity (cfh) ②	Voltage/Frequency	Maximum OPR Pressure (psi)	On-Off Disk	Parabolic Guide	Controlling Range (psi)	
V8004F1082	V9055A1055	V5097B1002, 32000109-002	P455A1022 ↓	1	920	120/60	5.0 ↓		X ↓	20-150 ↓	
V8004F1090	None ①	V5097B1002, 32000109-002		1	920	240/60					
V8004F1108	V9055A1055	V5097B1002, 32000109-003		1-1/4	1100	120/60					
V8004F1116	None ①	V5097B1002, 32000109-003		1-1/4	1100	240/60					
V8004F1124	V9055A1055	V5097B1002, 32000109-004		1-1/2	1450	120/60					
V8004F1132	None ①	V5097B1002, 32000109-004		1-1/2	1450	240/60					
V8004F1140	V9055A1055	V5097B1010, 32001605-001		2	2300	120/60					
V8004F1157	None ①	V5097B1010, 32001605-001		2	2300	240/60					
V8004F1165	V9055A1055	V5097B1010, 32001605-001	P455A1006 (0-15 psi) P455A1022 (5-150 psi) ↓	2	2300	120/60	1-25 ↓				
V8004F1173	None ①	V5097B1010, 32001605-001		2	2300	240/60					
V8004F1181	V9055A1055	V5097B1010, 32001605-002	P455A1006 (0-15 psi) P455A1022 (5-150 psi) ↓	2-1/2	4100	120/60					
V8004F1199	None ①	V5097B1010, 32001605-002		2-1/2	4100	240/60					
V8004F1207	V9055A1055	V5097B1010, 32001605-003		3	5700	120/60					
V8004F1215	None ①	V5097B1010, 32001605-003	3	5700	240/60	20-150 ↓					
V8004F1249	V9055A1055	V5097B1010, 32001605-001	P455A1022 ↓	2	2300			120/60			
V8004F1256	None ①	V5097B1010, 32001605-001		2	2300			240/60			
V8004F1264	V9055A1055	V5097B1010, 32001605-002		2-1/2	4100		120/60				
V8004F1272	None ①	V5097B1010, 32001605-002		2-1/2	4100	240/60					

See Footnotes on page 73.

V4004/V8004 DIAPHRAGM VALVE CROSS REFERENCE (Continued).

Device To Be Replaced	Current Replacement			Specifications of the Device to be Replace							Comments
	Actuator	V5097 Valve and Pipe Adapter	Controller	Valve Size in in.	Capacity (cfh) ②	Voltage/Frequency	Maximum OPR Pressure (psi)	On-Off Disk	Parabolic Guide	Controlling Range (psi)	
V8004F1280	V9055A1055	V5097B1010, 32001605-003	P455A1022	3	5700	120/60	5.0		X	1-25	
V8004F1298	None ①	V5097B1010, 32001605-003	↓	3	5700	240/60					
V8004F1322	V9055A1055 ①	V5097B1002, 32000109-002	P455A1006 (0-15 psi) P455A1022 (5-150 psi)	1	920	24/60					
V8004F1330		V5097B1002, 32000109-003	↓	1-1/4	1100	24/60					
V8004F1348		V5097B1002, 32000109-004	↓	1-1/2	1450	24/60					
V8004F1355		V5097B1010, 32001605-001	↓	2	2300	24/60				1-25	
V8004F1363		V5097B1002, 32000109-002	P455A1022	1	920	24/60				20-150	
V8004F1371		V5097B1002, 32000109-003	↓	1-1/4	1100	24/60					
V8004F1389		V5097B1002, 32001605-004	↓	1-1/2	1450	24/60					
V8004F1397		V5097B1010, 32001605-001	↓	2	2300	24/60					
V8004F1405		V5097B1010, 32001605-001	P455A1006 (0-15 psi) P455A1022 (5-150 psi)	2	2300	24/60				1-25	
V8004F1413		V5097B1010, 32001605-002	↓	2-1/2	4100	24/60					
V8004F1421		V5097B1010, 32001605-003	↓	3	5700	24/60					
V8004F1447		V5097B1010, 32001605-001	P455A1022	2	2300	24/60				20-150	
V8004F1454		V5097B1010, 32001605-002	↓	2-1/2	4100	24/60					
V8004F1462		V5097B1010, 32001605-003	↓	3	5100	24/60					

72

See Footnotes on page 73.

V4004/V8004 DIAPHRAGM VALVE CROSS REFERENCE (Continued).

Device To Be Replaced	Current Replacement			Specifications of the Device to be Replace							Comments
	Actuator	V5097 Valve and Pipe Adapter	Controller	Valve Size in in.	Capacity (cfh) ②	Voltage/Frequency	Maximum OPR Pressure (psi)	On-Off Disk	Parabolic Guide	Controlling Range (psi)	
V8004G1007	V9055A1055 ①	V0597B1002, 32000109-004	T931E1034	1-1/2	1450	24/60	5.0		X	130-230	
V8004H1005	V9055A1055 ①	V5097B1002, 32000109-004	T931E1034	1-1/2	1450	24/60	5.0		X	130-230	

FOOTNOTES:

- ① Recommend modernizing to 120V/60 Hz and selecting proper V9055A Actuator, V5097B Valve and P455A or T991E Controller.
- ② Capacity indicated is for 1 in. w.c. pressure drop (0.64 specific gravity gas) across the valve.
- ③ Replacement has flanged connections.
- ④ 6- inch valve not available.
- ⑤ Recommend modernizing to 120V/60 Hz and selecting proper V4055A Actuator and V5097A Valve

V4034 FLUID POWER ACTUATOR CROSS REFERENCE.

Device to be Replaced ^⑤	Current Replacement ^⑥	Specifications of the Device to be Replaced				Comments
		Voltage/Frequency	Opening time (sec)	With Damper Arm ^③	Use With Valve Type ^⑦	
V4034A1003	V4055A1064 ^①	120/60	35 ↓	Yes ↓	Long Stem V5034 ↓	International models: with German inscription, metric term. screw and ground screw. ↓
V4034A1011	None	208/60				
V4034A1029	V4055A1080 ^①	240/60				
V4034A1037	None	220/50				
V4034A1045	None	220/50				
V4034A1052	None	100/50				
V4034A1060	None	200/50				
V4034A1078	None	240/50				
V4034A1086	V4055A1098 ^①	120/60				
V4034A1094	None	208/60				
V4034A1102	V4055A1114 ^①	240/60	35 ↓	No ↓	Short Stem V5034 ↓	With metric term. screw and ground screw. International model. Factory-installed auxiliary switch; makes on valve close.
V4034A1110	None	220/50				
V4034A1128	V4055D1019 ^{①④}	120/60				
V4034A1136	V4055A1007 ^①	120/60				
V4034A1144	None	208/60				
V4034A1151	V4055A1080 ^①	240/60				
V4034A1169	V4055A1098 ^①	120/60				
V4034A1177	None	208/60				
V4034A1185	V4055A1114 ^①	240/60				
V4034A1193	V4055A1247 ^①	220/50				
V4034A1201	V4055A1239 ^①	240/50	35 ↓	Yes ↓	Short Stem V5034 ↓	International model; with ground screw. International model; with ground screw.
V4034A1219	V4055A1064	120/60				
V4034A1227	None	220/50				
V4034A1235	None	100/50				
V4034A1243	None	200/50				
V4034A1250	None	240/50				
V4034A1268	V4055A1098 ^②	120/60				
V4034A1276	V4055A1114 ^②	240/60				
V4034A1284	None	220/50				
V4034A1292	V4055D1019 ^④	120/60				
V4034A1300	V4055A1007 ^②	120/60	35 ↓	No ↓	Short Stem V5034 ↓	International models. ↓ With ground screw and metric term. screw. International model. Factory-installed auxiliary end switch; makes on valve close.

74

See Footnotes on page 75.

V4034 FLUID POWER ACTUATOR CROSS REFERENCE (Continued).

Device to be Replaced ^⑤	Current Replacement ^⑥	Specifications of the Device to be Replaced				Comments
		Voltage/Frequency	Opening (sec)	With Damper Arm ^③	Use With Valve Type ^⑦	
V4034A1318	None ^②	208/60	35	No ↓	Short Stem V5034 ↓	
V4034A1326	None	240/60	35			
V4034A1334	V4055A1098 ^②	120/60	15 ↓			
V4034A1342	None ^⑧	208/60				
V4034A1359	V4055A1114	240/60				
V4034A1367	V4055A1247	220/50				
V4034A1375	None	240/50				
					International model; with ground and metric term. screw.	
					International model; with ground and metric term. screw.	

FOOTNOTES:

- ① Order 133534A Adapter for mounting V4055Q on V5034A valve with long stem.
- ② Order 133533A Adapter for mounting V4055A on V5034A valve with short stem.
- ③ Since a direct-acting or reverse-acting damper arm assembly was available as an accessory, the OS number cross-reference may not be correct for the damper arm. If damper arm is required, refer to V4055 Replacement section.
- ④ Replacement has "FM proof-of-closure"/"UL valve seal over travel interlock" switch.
- ⑤ Ambient temperature rating of 32° F to 125° F.
- ⑥ Replacement has ambient temperature rating of -40° F to 150° F.
- ⑦ Refer to V5034 listing in this section to identify if valve is long or short stemmed.
- ⑧ Replacement has damper arm.

V4036/V8036 SOLENOID VALVE CROSS REFERENCE.

Device to be Replaced	Current Replacement	Specifications of the Device to be Replaced					Comments		
		Valve Size (in.)	Capacity (cf/h) ^①	Voltage/Frequency	Maximum Operating Pressure (psi)	Coil Class			
V4036A1001	None	3/8	108	120/60 ↓	10.0	Class A coil plus 125° F rated. ↓			
V4036A1019	None	1/2	238		5.0				
V4036A1027	None	3/4	485		3.0				
V4036A1035	None	1	772		1.5				
V4036A1043	None	1-1/4	1058		1.25				
V4036A1050	None	1-1/2	1409		1.0				
V4036A1068	None	3/8	108	240/60 ↓	10.0			Class B coil plus 150° F rated. ↓	
V4036A1076	None	1/2	238		5.0				
V4036A1084	None	3/4	485		3.0				
V4036A1092	None	1	772		1.5				
V4036A1100	None	1-1/4	1058		1.25				
V4036A1118	None	1-1/2	1409		1.0				
V4036B1009	None	3/8	108	120/60 ↓	10.0	Class B coil plus 150° F rated. ↓			
V4036B1017	None	1/2	238		5.0				
V4036B1025	None	3/4	485		3.0				
V4036B1033	None	1	772		1.5				
V4036B1041	None	1-1/4	1058		1.25				
V403601058	None	1-1/2	1409		1.0				
V4036X1008	None	3/8	108	220/50 ↓	10.0			Class A coil plus 125° F rated. ↓	International models. ↓
V4036X1016	None	1/2	238		5.0				
V4036X1024	None	3/4	485		3.0				
V4036X1032	None	1	772		1.5				
V8036A1002	None	1-1/4	1058	24/60 ↓	1.25			Class A coil plus 125° F rated. ↓	
V8036A1010	None	1	772		1.5				
V8036A1020	None	3/4	485		3.0				

FOOTNOTES:

① Capacity indicated is for 1 in. w.c. pressure drop (0.64 specific gravity gas) across the valve.

V4046C/V8046C SOLENOID VALVE CROSS REFERENCE.

Device to be Replaced	Current Replacement	Specifications of the Device to be Replaced				Comments
		Valve Size (in.)	Capacity (cf/h) ^①	Voltage/Frequency	Maximum OPR (psi)	
V4046C1005	V4046C1005	1/8	20	120/60,110/50	10	
V4046C1013	None	1/8	20	240/60,220/50	10	
V4046C1021	V4046C1021	1/4	20	120/60,110/50	10	Small body.
V4046C1039	None	1/4	20	240/60,220/50	10	Small body.
V4046C1047	V4046C1047	1/4	55	120/60,110/50	10	Large body.
V4046C1054	V4046C1054	3/8	70	120/60,110/50	10	Large body.
V4046C1062	None	3/8	70	240/60,220/50	10	Large body.
V4046C1070	None	1/4	55	240/60,220/50	10	Large body.
V4046C1088	V4046C1088	3/8	70	208/60	10	Large body.
V4046C1096	None	3/8	70	220/50	10	Large body. International model.
V4046C1104	None	1/8	20	240/50	10	Large body. International model.
V4046C1112	None	3/8	70	240/50	10	Large body. International model.
V8046C1006	V8046C1006	1/8	20	24/60	10	Large body. International model.
V8046C1014	V8046C1014	1/4	20	24/60	10	Small body.
V8046C1022	V8046C1022	1/4	55	24/60	10	Large body.
V8046C1030	V8046C1030	3/8	70	24/60	10	Large body.
V8046C1048	V8046C1014	1/4	20	24/60	10	Small body. York special.

FOOTNOTES:

① Capacity indicated is for 1 in. w.c. pressure drop (0.64 specific gravity gas) across the valve.

V4055 FLUID POWER ACTUATOR OF THE DEVICE CROSS REFERENCE.

Device to be Replaced	Current Replacement	Specifications of the Device to be Replaced					Comments	
		Voltage/ Frequency	Opening Time ^①	Valve Seal Overtravel Interlock	Damper Shaft	Maximum Operating Pressure (psi)		
V4055A1007	V4055A1007 ^⑫	120/60	Standard	No	No	5		
V4055A1015	None	208/60	↓		↓			
V4055A1023	V4055A1080 ^⑦ ^⑫	240/60	↓		↓			
V4055A1031	V4055A1031 ^⑫	120/60	Fast		↓			
V4055A1049	None	208/60	↓		↓			
V4055A1056	V4055A1114 ^⑦ ^⑨ ^⑫	240/60	↓		↓			
V4055A1064	V4055A1064 ^⑧ ^⑫	120/60	Standard		Yes			
V4055A1072	None	208/60	↓		↓			
V4055A1080	V4055A1080 ^⑫	240/60	↓		↓			
V4055A1098	V4055A1098 ^⑫	120/60	Fast		↓			
V4055A1106	None	208/60	↓		↓			
V4055A1114	V4055A1114 ^⑨ ^⑫	240/60	↓		↓			
V4055A1122	None	220/50	Standard		No			International model.
V4055A1130	V4055A1130	220/50	Fast		No			International model.
V4055A1148	V4055A1064 ^⑧ ^⑫	120/60	Standard		Yes			
V4055A1155	V4055A1080 ^⑦ ^⑫	240/60	Standard		↓			
V4055A1163	V4055A1098 ^⑧ ^⑫	120/60	Fast		↓			
V4055A1171	V4055A1114 ^⑦ ^⑨ ^⑫	240/60	Fast		↓			
V4055A1189	V4055A1189	100/50,60	Standard		No		International models. ↓	
V4055A1197	V4055A1197	200/50,60	↓		↓			
V4055A1205	None	240/50	↓		↓			
V4055A1213	V4055A1213	100/50,60	Fast		↓			
V4055A1221	V4055A1221	200/50	↓		↓			
V4055A1239	V4055A1239	240/50	↓		↓			
V4055A1247	V4055A1247	220/50	↓		Yes			
V4055A1254	None	240/50	Standard		↓			
V4055A1262	None	240/50	Fast		↓			
V4055A1270	V4055A1064 ^⑧ ^⑫	120/60 ↓	Standard		No			With auxiliary switch, makes at 90 percent of stroke.
V4055A1288	None		Fast		Yes		Ray Burner special.	
V4055A1296	V4055A1098 ^⑧ ^⑫		Fast		No		With auxiliary switch, makes at 90 percent of stroke.	
V4055A1304	V4055A1304 ^⑫		Standard	Yes	With damper shaft return-spring.			
V4055A1312	V4055A1312 ^⑫		Standard	No	With NEMA 4 enclosure.			
V4055A1320	V4055A1320		Fast	No	Proprietary to Cleaver-Brooks.			

78

See Footnotes on page 80.

V4055 FLUID POWER ACTUATOR OF THE DEVICE CROSS REFERENCE (Continued).

Device to be Replaced	Current Replacement	Specifications of the Device to be Replaced					Comments	
		Voltage/ Frequency	Opening Time ^①	Valve Seal Overtravel Interlock	Damper Shaft	Maximum Operating Pressure (psi)		
V4055B1005	V4055B1021 ^⑧ ^⑫	120/60 ↓	Standard	No ↓	No	15 or 25 ^② ↓		
V4055B1013	V4055B1039 ^⑧ ^⑫		Fast		No			
V4055B1021	V4055B1021 ^⑫		Standard		Yes			
V4055B1039	V4055B1039 ^⑫		Fast		Yes			
V4055B1047	V4055B1047 ^⑩	100/50,60	Standard		No ↓	2 kg/cm ² ↓		International models. ↓
V4055B1054	V4055B1054 ^⑩	100/50,60	Fast					
V4055B1062	V4055B1062 ^⑩	200/50,60	Standard					
V4055B1070	V4055B1070 ^⑩	200/50,60	Fast					
V4055B1088	V4055B1088	220/50	Fast ↓	No ↓		15 or 25 ^②		
V4055B1096	V4055B1096	240/50				15 or 25 ^②		
V4055C1003 ^⑪	V4055A1130 ^③ ↓ V4055A1247 ^③ ↓	220/50 ↓	Fast ↓	No ↓		No ↓	Not applicable ↓	
V4055C1011 ^⑪								
V4055C1029 ^⑪								
V4055C1037 ^⑪								
V4055C1045 ^⑪								
V4055C1052 ^⑪								
V4055C1060 ^⑪					Yes ↓			
V4055C1078 ^⑪								
V4055C1086 ^⑪								
V4055C1094 ^⑪								
V4055C1102 ^⑪								
V4055C1110 ^⑪								
V4055D1001	V4055D1001 ^⑫	120/60 ↓	Standard	Yes ↓	Yes	5 ↓		
V4055D1019	V4055D1019 ^⑫		Fast		Yes			
V4055D1027	V4055D1027 ^⑫		↓		No			
V4055D1035	V4055D1035 ^⑫							
V4055D1043	V4055D1043 ^⑫							
V4055D1050	V4055E1024 ^⑫		Standard		No ↓			
V4055D1068	None		Fast					
V4055D1076	V4055D1076 ^⑫		Fast					

See Footnotes on page 80.

V4055 FLUID POWER ACTUATOR OF THE DEVICE CROSS REFERENCE (Continued).

Device to be Replaced	Current Replacement	Specifications of the Device to be Replaced					Comments	
		Voltage/ Frequency	Opening Time ^①	Valve Seal Overtravel Interlock	Damper Shaft	Maximum Operating Pressure (psi)		
V4055E1008	V4055E1024 ^⑤ ^⑧ ^⑫	↓	Standard	↓	Yes	Yes	↓	With auxiliary switch and NEMA 4 enclosure.
V4055E1016	V4055E1016 ^⑫		Fast		Yes			
V4055E1024	V4055E1024 ^⑫		Standard		Yes			
V4055E1032	V4055E1024 ^⑥ ^⑧ ^⑫		Standard		No			
V4055E1040	V4055E1040 ^⑫		↓		Fast	Yes		
V4055E1057	V4055E1040 ^⑧ ^⑫				No			
V4055E1065	None	220/50		Yes		International model.		
V4055F1006	V4055F1006	120/60		No		5	Manual operation. Proof-of-closure switch.	
V4055G1004	V4055G1004	120/60		No	No	5	Manual operation.	

FOOTNOTES:

① Opening time for 60 cycle and 50 cycle is listed below:

Frequency	60 Cycle	50 Cycle
Fast	13 sec	16 sec
Standard	26 sec	32 sec

② Maximum operating pressure is 25 psi when the V4055 is used with 3/4, 1-1/4, 1-1/2 inch valves; 15 psi when used with 2, 2-1/2, 3 inch valves.

③ Plus a DIN approved V5055A with BSP PL threads;

④ Replacement has auxiliary switch and damper shaft.

⑤ Replacement has auxiliary switch and NEMA 4 enclosure.

⑥ Replacement has damper shaft.

⑦ Replacement is 240V/60 Hz.

⑧ Replacement is 120V/60 Hz.

⑨ 220V/50 Hz replacement is V4055A1247.

⑩ Ambient temperature rating is -23° C to 69° C.

⑪ Actuators must be used with DIN approved valve body. See V5055 valve cross reference in this section.

⑫ Can be used with 50 Hz but opening time will increase by 20%.

V4062⁷ HI-LOW-OFF ACTUATOR CROSS REFERENCE.

Device to be Replaced	Current Replacement	Specifications of the Device to be Replaced				Comments
		Voltage/ Frequency	Opening Time	Maximum Operating Pressure (psi)	Damper Shaft	
V4062A1008	V4062A1008 ^①	120/60	Standard ↓ Fast ↓ Standard ↓ Standard ↓ Fast ↓ Standard	5 ↓ ↓ ↓ ↓ ↓ ↓ ↓ ↓ ↓ ↓ ↓ ↓ ↓	Yes ↓ ↓ ↓ ↓ ↓ ↓ ↓ ↓ ↓ ↓ ↓ ↓ No	International models. ↓ With NEMA 4 enclosure. ↓ With damper arm return-spring and auxiliary switch. ↓ Use with Series 60 floating type controller.
V4062A1016	None ^②	208/60				
V4062A1024	None	240/60; 220/50				
V4062A1032	V4062A1032	100/50,60				
V4062A1040	V4062A1040	200/50,60				
V4062A1057	None	220/50				
V4062A1065	None	240/50				
V4062A1073	None	100/50,60				
V4062A1081	None	200/50,60				
V4062A1099	V4062A1099	220/50				
V4062A1107	V4062A1107	240/50				
V4062A1115	None	120/60				
V4062A1123 ^④	V4062A1123 ^④ ^①	120/60				
V4062A1131	V4062A1131 ^①	120/60				
V4062A1156 ^⑤	V4062A1156 ^⑤ ^①	120/60				
V4062B						Never produced.
V4062C1004 ^⑥	V4062C1099 ^③	220/50 ↓ ↓ ↓ ↓ ↓	Fast ↓ ↓ ↓ ↓ ↓	5 ↓ ↓ ↓ ↓ ↓	Yes ↓ ↓ ↓ ↓ ↓	International model; consists of a V4062A factory assembled on a V5055 to meet DIN approval requirements. ↓
V4062C1012 ^⑥	V4062A1099 ^③					
V4062C1020 ^⑥	C4062A1099 ^③					
V4062C1038 ^⑥	V4062A1099 ^③					
V4062C1046 ^⑥	V4062A1099 ^③					
V4062C1053 ^⑥	V4062A1099 ^③					
V4062D1002	V4062D1002 ^①	120/60	Standard ↓ Fast	5 ↓ ↓	Yes ↓ Yes ↓ No	With valve seal overtravel interlock.
V4062D1010	V4062D1010 ^①	120/60				
V4062D1028	V4062D1028	240/50				

See Footnotes on page 82.

FOOTNOTES:

Can be used with 50 cycle. Opening time will increase by 20%.

① Opening time for 60 cycle and 50 cycle is listed below:

Frequency	60 Cycle	50 Cycle
Fast	13 sec	16 sec
Standard	26 sec	32 sec

② Recommend modernizing system to 120V/60 Hz and selecting proper V4062 Actuator.

③ Plus a DIN approved V5055B valve body.

④ Auxiliary switch calibrated to operate at approximately 90 percent of stem travel.

⑤ Low fire switch adjusted to minimum setting.

⑥ Actuators must be used with DIN approved valve body (V5055).

⑦ For most effective low fire control, recommend the V4062A,D Actuators be used with the V5055B Gas Valve.

V4843/V8843, V4844/V8844 ON-OFF AND COMBINATION VALVE CROSS REFERENCE.

Order Number	Replacement Order Number	Valve Type	Gas	Size (in.)	Voltage/Hz	Electrical Terminals	Regulator Set Point (in. w.c.) ⁽³⁾							
							1st Stage	2nd Stage						
V4843A1004	V4943A1045	On-off, rapid opening ↓	Natural or LP ↓	2	120/60 ↓	Two 30 in. wires ↓	—	—						
V4843A1012	V4943A1037			1-1/2										
V4843A1020	V4943A1029			1-1/4										
V4843A1038	V4943A1011			1										
V4843A1046	V4943A1037			1-1/2										
V4843B1002	V4943B1019	Single stage, slow opening ↓	Natural ↓	1		120/60 ↓	Two 30 in. wires ↓	3.5 ↓	—					
V4843B1010	V4943B1027			1-1/4										
V4843B1028	V4943B1035			1-1/2										
V4843B1036	V4943B1043			2										
V4843B1044	V4943B1043			4.0 ⁽⁴⁾										
V4843B1051	V4943B1027			1-1/4										
V4843B1069	V4943B1035			1-1/2										
V4843B1077	V4943B1043			2										
V4843B1085	V4943B1019			1										
V4843B1093	V4943B1027			1-1/4										
V4843B1101	V4943B1035			1-1/2										
V4843B1119	V4943B1019			1										
V4843B1127	V4943B1027			1-1/4										
V4843B1135	V4943B1019			1										
V4843B1143	V4943B1035			1-1/2										
V4843B1150	V4943B1027			1-1/4										
V4843B1168	V4943B1043			2										
V4843C1000	V8943C1018 ⁽¹⁰⁾			Single-stage, rapid opening ↓			LP ↓	1	120/60 ↓	Two 54 in. wires ⁽¹⁾ ↓	10.5 ⁽⁵⁾	—		
V4843C1018	V8943C1026 ⁽¹⁰⁾							1-1/4						
V4843C1026	None							1-1/2						
V4843C1034	V8943C1026 ⁽¹⁰⁾	1-1/4												
V4843C1042	V8943C1018 ⁽¹⁰⁾	1												
V4843C1059	V8943C1026 ⁽¹⁰⁾	1-1/4												
V4843N1005	V4943N1012	Single-stage, rapid opening ↓	Natural ↓		1	120/60 ↓		Two 54 in. wires ⁽¹⁾ ↓					11.0 ⁽⁵⁾	—
V4843N1013	V4943N1012				1-1/4									
V4843N1021	V4943N1020			1-1/2										
V4843N1039	V4943N1038			1										
V4844B1001	V4944B1018			4.0 ⁽⁴⁾										
V4844B1019	V4944B1018	Three 30 in. wires	0.8	3.5										
		Three 76 in. wires ⁽²⁾	0.7 ⁽⁶⁾	3.0 ⁽⁶⁾										

83

V4843/V8843, V4844/V8844 ON-OFF AND COMBINATION VALVE CROSS REFERENCE (Continued).

Order Number	Replacement Order Number	Valve Type	Gas	Size (in.)	Voltage/Hz	Electrical Terminals	Regulator Set Point (in. w.c.) ^③	
							1st Stage	2nd Stage
V4844B1027	V4944B1026	Two-stage, slow opening	Natural	1-1/4	120/60	Three 30 in. wires	0.5 ^⑥	3.5
V4844B1043	V4944B1034			1-1/2		Three 76 in. wires ^②	0.8 ^⑦	3.0
V4844B1050 ^⑨	V4944B1059			1		Three 76 in. wires ^②	3.6 ^⑦	10.6
V4844C1009	None	Two-stage, rapid opening	LP	1		Three 30 in. wires	2.5	8.8 ^⑦
V4844L1017	V4944L1024			1-1/4		Three 18 in. wires ^②	10.0	10.0 ^⑦
V4844L1025	V4944L1016			1		Three 54 in. wires ^②		
V4844L1033	V4944L1024			1-1/4		Three 76 in. wires ^②	0.8 ^⑥	3.0 ^⑥
V4844L1041	None			1-1/2		Three 54 in. wires ^②	0.8	3.5
V4844L1058	None			2		Three 54 in. wires ^②	1.2 ^⑥	3.5
V4844N1012	V4944N1011		Natural	1		Three 76 in. wires ^②	1.65	
V4844N1020	V4944N1029			1-1/4		Three 76 in. wires ^②	1.0 ^⑥	3.5
V4844N1038	V4944N1045			2		Three 54 in. wires ^②	2.0 ^⑥	
V4844N1046	V4944N1011			1		Three 76 in. wires ^②	1.7	3.5
V4844N1053	V4944N1029			1-1/4		Three 30 in. wires	1.5 ^⑥	
V4844N1061	V4944N1037			1-1/2		Three 54 in. wires ^②	1.2 ^⑥	3.5
V4844N1087	V4944N1052	1	Three 76 in. wires ^②	1.2 ^⑥		3.5		
V4844N1095	V4944N1029	1-1/4	Three 76 in. wires ^②	1.5 ^⑥			3.5	
V4844N1103	V4944N1029	On-off, rapid opening	Natural or LP	1		Two screws ^①		—
V4844N1111	V4944N1037			1-1/2	Two spades ^①			
V4844N1129	V4944N1060			1-1/4	Two screws ^①			
V4844N1137	V4944N1011			1	Two spades ^①			
V4844N1186	V4944N1011			2	Two screws ^①			
V4844N1194	V4944N1029			1-1/4	Two screws ^①			
V4844N1202	V4944N1037	1-1/2	Three screws ^①	3.5	—			
V8843A1005	V8943A1012	Single stage, slow opening	Natural	1		Three screws ^①	3.5	—
V8843A1013	V8943A1012			1-1/4				
V8843A1021	V8943A1020			1-1/2				
V8843A1039	V8943A1020			2				
V8843A1047	V8943A1038	Single stage, slow opening	Natural	1	Three screws ^①	3.5	—	
V8843A1054	V8943A1046			1-1/4				
V8843B1003	V8943B1010			1-1/2				
V8843B1011	V8943B1028			2				
V8843B1029	V8943B1036	Single stage, slow opening	Natural	1-1/4	Three screws ^①	3.5	—	
V8843B1037	V8943B1044			1-1/2				
V8843B1037	V8943B1044	2						

See Footnotes on page 87.

V4843/V8843, V4844/V8844 ON-OFF AND COMBINATION VALVE CROSS REFERENCE (Continued).

Order Number	Replacement Order Number	Valve Type	Gas	Size (in.)	Voltage/Hz	Electrical Terminals	Regulator Set Point (in. w.c.)		
							1st Stage	2nd Stage	
V8843B1045	V8943B1028	Single-stage, slow opening	Natural	1-1/4	24/50-60	Two spades ①	4.0 ④	—	
V8843B1052	V8943B1028			↓		Three screws ①	3.5		
V8843B1060	V8943B1010			1		Two spades ①	4.0 ④		
V8843B1078	V8943B1010			↓		Three screws ①	3.5		
V8843B1086	V8943B1010			↓		Two screws ①			
V8843B1094	V8943B1010			↓		↓			
V8843B1102	V8943B1010			↓		↓			
V8843B1110	V8943B1028			1-1/4		↓			
V8843B1128	V8943B1036			1-1/2		↓			
V8843B1136	V8943B1028			1-1/4		Three screws ①			
V8843B1144	V8943B1036		1-1/2	↓					
V8843C1001	V8943C1018		LP	↓		1	Two screws ①		10.0
V8843C1019	V8943C1018					↓	Two spades ①		
V8843C1027	V8943C1026					1-1/4	Two screws ①		
V8843C1035	V8943C1018	1			Three screws ①				
V8843C1043	V8943C1026	1-1/4			Two screws ①				
V8843C1050	V8943C1018	1			↓				
V8843N1006	V8943N1013	1			4.0 ④				
V8843N1014	V8943N1013	↓			3.5				
V8843N1022	V8943N1021	Single-stage, rapid opening			Natural	1-1/4	↓	4.0 ④	
V8843N1030	V8943N1021					↓	Three screws ①		
V8843N1048	V8943N1021		1-1/2	↓					
V8843N1055	V8943N1039		↓	Two screws ①					
V8843N1063	V8943N1039		1	3.5					
V8843P1002 ⑧ ⑨	None	On-off, rapid opening	↓	1	Three screws ②	0.5 ⑥	3.5		
V8843P1010 ⑧ ⑨	None			1-1/4	Three spades ②	1.5 ⑥	4.0 ⑥		
V8843P1028 ⑧ ⑨	None			1-1/2	↓	1.0 ⑥	↓		
V8844B1002	V8944B1019			1	Three screws ②	0.5 ⑥	3.5		
V8844B1010	V8944B1019			↓	Three spades ②	1.5 ⑥	4.0 ⑥		
V8844B1028	V8944B1027	↓	↓	1.0 ⑥	↓				
V8844B1036	V8944B1027	1-1/4	Three screws ②	0.5 ⑥	3.5				
V8844B1044	V8944B1027	↓	↓	0.8	↓				
V8844B1051	V8944B1027	↓	Three spades ②	1.5 ⑥	4.0 ⑥				
V8844B1069	V8944B1035	↓	↓	1.0 ⑥	↓				
V8844B1077	V8944B1035	1-1/2	Three screws ②	0.5 ⑥	3.5				

V4843/V8843, V4844/V8844 ON-OFF AND COMBINATION VALVE CROSS REFERENCE (Continued).

Order Number	Replacement Order Number	Valve Type	Gas	Size (in.)	Voltage/Hz	Electrical Terminals	Regulator Set Point (in. w.c.)				
							1st Stage	2nd Stage			
V8844B1085	V8944B1035	Two-stage, slow opening	Natural	1-1/2	24/50-60	Three screws (2)	0.9 (6)	3.5			
V8844B1093	V8944B1035			↓		Three spades (2)	1.5 (6)	4.0 (6)			
V8844B1101	V8944B1043			2		Three screws (2)	1.0 (6)	↓			
V8844B1119	V8944B1043			↓			0.5 (6)	3.5			
V8844B1127	V8944B1035			1-1/2			0.8				
V8844B1135	V8944B1027			1-1/4			1.5 (6)				
V8844B1143	V8944B1035			1-1/2			0.8				
V8844B1150	V8944B1027			1-1/4			1.0 (6)				
V8844B1168	V8944B1019			1			0.8				
V8844B1176	V8944B1019			↓			1.0 (6)				
V8844B1184	V8944B1043			2			0.8				
V8844C1000	V8944C1017			LP		LP	1			2.5 (7)	10.0
V8844C1018	V8944C1017						↓			4.2 (7)	11.0 (7)
V8844C1026	V8944C1017						1-1/2		1.6 (7)	10.5 (7)	
V8844C1034	V8944C1033	1-1/4			↓		↓				
V8844C1042	V8944C1025	1-1/2			2.5 (7)		11.1 (7)				
V8844C1059	V8944C1033	1			↓		11.0 (7)				
V8844C1067	V8944C1017	1-1/4			4.2 (7)		↓				
V8844C1075	V8944C1025	2			↓		↓				
V8844C1083	None	1			Three spades (2)		2.5 (7)	9.5 (7)			
V8844L1000	V8944L1017	Two stage, rapid opening	Natural		↓				10.0		
V8844L1018	V8944L1017				1-1/4				9.5 (7)		
V8844L1026	V8944L1025				↓				10.0		
V8844L1034	V8944L1025				1			Three screws (2)			
V8844L1042	V8944L1017				1-1/2						
V8844L1059	None			2							
V8844L1067	None			1							
V8844L1075 (9)(11)	V8944L1017			1							
V8844N1005	V8944N1012			Natural	Natural	1		0.8	3.5		
V8844N1013	V8944N1012					↓		0.5 (6)	4.0 (6)		
V8844N1021	V8944N1012					1.5 (6)	4.5 (6)				
V8844N1039	V8944N1012	↓				Three spades (2)	1.0 (6)	4.0 (6)			
V8844N1047	V8944N1012					↓	2.0 (6)	↓			
V8844N1054	V8944N1020	1-1/4				Three screws (2)	0.8	3.5			
V8844N1062	V8944N1020	↓				↓	0.5 (6)	↓			

See Footnotes on page 87.

V4843/V8843, V4844/V8844 ON-OFF AND COMBINATION VALVE CROSS REFERENCE (Continued).

Order Number	Replacement Order Number	Valve Type	Gas	Size (in.)	Voltage/Hz	Electrical Terminals	Regulator Set Point (in. w.c.)		
							1st Stage	2nd Stage	
V8844N1070	V8944N1020	Two stage, rapid opening ↓	Natural ↓	1 ↓	24/50-60 ↓	Three screws (2)	1.5 (6)	4.0 (6)	
V8844N1088	V8944N1020			1-1/2 ↓		Three spades (2)	1.0 (6)	↓	
V8844N1096	V8944N1020					2.0 (6)			
V8844N1104	V8944N1038			3.5 ↓		Three screws (2)	0.8 ↓		
V8844N1112	V8944N1038					1.5 (6)			
V8844N1120	V8944N1038					1.0 (6)			
V8844N1138	V8944N1038			↓		2	Three spades (2)	1.0 (6)	↓
V8844N1146	V8944N1046					Three screws (2)	1.5 (6)		
V8844N1153 (9)	V8944N1012		LP ↓	1		Three screws (2)	2.0 (7)	4.0 (7) ↓	
V8844N1161 (9)	V8944N1020			1-1/4		Three screws (2)	2.0 (7)		

FOOTNOTES:

- (1) Replacement has two 30 inch wires.
- (2) Replacement has three 30 inch wires.
- (3) Regulator set points for replacement valves are field adjustable.
- (4) Regulator set points are factory set at 3.5.
- (5) Regulator set points are factory set at 10.0.
- (6) Regulator set points are factory set at 0.8 & 3.5.
- (7) Regulator set points are factory set at 1.4 and 10.0.
- (8) On-off with pilot take-off.
- (9) OEM special model.
- (10) Functional replacement is 24V.
- (11) Includes ambroid on adjustment screw.

V5034 INDUSTRIAL GAS VALVE CROSS REFERENCE.

Device to be Replaced	Curent Replacement	Specifications of the Device to be Replaced						Comments	
		Valve Size (in.)	Capacity (cf/h) ^③	Maximum Operating (psi)	On-Off Disc	Characterized Guide	Valve Stem		
V5034A1000	V5055A1004 ①	1	950	5.0	↓		Long		
V5034A1018	V5055A1012 ①	1-1/4	1350	5.0			Long		
V5034A1026	V5055A1020 ①	1-1/2	1700	5.0			Long		
V5034A1034	V5055A1038 ①	2	3200	5.0			Long		
V5034A1042	V5055A1046 ①	2-1/2	3800	5.0			Long		
V5034A1059	V5055A1053 ①	3	4900	5.0			Long		
V5034A1067	V5055B1002 ②	1	950	5.0	↓		Long		
V5034A1075	V5055B1010 ②	1-1/4	1350	5.0			Long		
V5034A1083	V5055B1028 ②	1-1/2	1700	5.0			Long		
V5034A1091	V5055B1069 ②	2	3000	5.0			Long		
V5034A1109	V5055B1077 ②	2-1/2	3700	5.0			Long		
V5034A1117	V5055B1085 ②	3	4300	5.0			Long		
V5034A1125	V5055A1061 ①	1	950	5.0	↓		Long		International models; with German Inscription and BSP PL threads. ↓
V5034A1133	V5055A1079 ①	1-1/4	1350	5.0			Long		
V5034A1141	V5055A1087 ①	1-1/2	1700	5.0			Long		
V5034A1158	V5055A1095 ①	2	3200	5.0			Long		
V5034A1166	V5055A1103 ①	2-1/2	3800	5.0			Long		
V5034A1174	V5055A1111 ①	3	4900	5.0			Long		
V5034A1182	V5055A1069 ②	2	2800	5.0			Long	With high turndown bonnet assembly.	
V5034A1190	V5055B1077 ②	2-1/2	3400	0.5		Yes	Long	With high turndown bonnet assembly.	
V5034A1208	V5055B1085 ②	3	3800	0.5		Yes	Long	With high turndown bonnet assembly.	
V5034A1216	V5055A1004 ①	1	950	0.5	↓		Short		
V5034A1224	V5055A1012 ①	1-1/4	1350	0.5			Short		
V5034A1232	V5055A1020 ①	1-1/2	1700	0.5			Short		
V5034A1240	V5055A1038 ①	2	3200	0.5			Short		
V5034A1257	V5055A1046 ①	2-1/2	3800	0.5			Short		
V5034A1265	V5055A1053 ①	3	4900	0.5			Short		
V5034A1273	V5055B1002 ②	1	950	0.5	↓		Short		
V5034A1281	V5055B1010 ②	1-1/4	1350	0.5			Short		
V5034A1299	V5055B1028 ②	1-1/2	1700	0.5			Short		
V5034A1307	V5055B1069 ②	2	3000	0.5			Short		
V5034A1315	V5055B1077 ②	2-1/2	3700	0.5			Short		
V5034A1323	V5055B1085 ②	3	4300	0.5			Short		

See footnotes on page 89.

V5034 INDUSTRIAL GAS VALVE CROSS REFERENCE (Continued).

Device to be Replaced	Current Replacement	Specifications of the Device to be Replaced						Comments
		Valve Size (in.)	Capacity (cf/h) ^③	Maximum Operating (psi)	On-Off Disc	Characterized Guide	Valve Stem	
V5034A1331	V5055A1061 ^①	1	950	0.5	↓		Short	↓ International models; with German Inscription and BSP PL threads.
V5034A1349	V5055A1079 ^①	1-1/4	1350	0.5		Short		
V5034A1356	V5055A1087 ^①	1-1/2	1700	0.5		Short		
V5034A1364	V5055A1095 ^①	2	3200	0.5		Short		
V5034A1372	V5055A1103 ^①	2-1/2	3800	0.5		Short		
V5034A1380	V5055A1111 ^①	3	4900	0.5		Short		
V5034A1398	V5055B1069 ^②	2	2800	0.5		↓	Short	↓ With high turndown bonnet assembly.
V5034A1406	V5055B1077 ^②	2-1/2	3400	0.5	Short			
V5034A1414	V5055B1085 ^②	3	3800	0.5	Short			

FOOTNOTES:

- ① If the V5034 Valve still has the V4034 Actuator, replace the V4034 Actuator with the appropriate V4055A Actuator.
- ② Replace the V6034 or V9034 Actuator with the appropriate V4062 or V9055 Actuator.
- ③ Capacity indicated is for 1 in. w.c. pressure drop (0.64 specific gravity gas) across the valve.

V5034 INDUSTRIAL VALVE CROSS REFERENCE

Device To Be Replaced	Specifications of the Device to be Replaced							Comments		
	Current Replacement	Valve Size (in.)	Capacity (cfh) ①	Maximum Operating Pressure (psi)	On-Off Disc	Characterized Guide	Valve Stem			
V5034A1000	V5097A1004, ② 32000109-002	1	950	↓	X		Long			
V5034A1018	V5097A1004, ② 32000109-003	1-1/4	1350							
V5034A1026	V5097A1004, ② 32000109-004	1-1/2	1700							
V5034A1034	V5097A1012, ② 32001605-001	2	3200							
V5034A1042	V5097A1012, ② 32001605-002	2-1/2	3800							
V5034A1059	V5097A1012, ② 32001605-003	3	4900							
V5034A1067	V5097B1002, ③ 32000109-002	1	950					X		
V5034A1075	V5097B1002, ③ 32000109-003	1-1/4	1350							
V5034A1083	V5097B1002, ③ 32000109-004	1-1/2	1700							
V5034A1091	V5097B1010, ③ 32001605-001	2	3000							
V5034A1109	V5097B1010, ③ 32001605-002	2-1/2	3700							
V5034A1117	V5097B1010, ③ 32001605-003	3	4300							
V5034A1190	V5097B1010, ③ 32001605-002	2-1/2	3400				Yes		With high turndown bonnet assembly.	
V5034A1208	V5097B1010, ③ 32001605-003	3	3800				Yes		With high turndown bonnet assembly.	
V5034A1216	V5097A1004, ② 32000109-002	1	950			X		Short		
V5034A1224	V5097A1004, ② 32000109-003	1-1/4	1350							
V5034A1232	V5097A1004, ② 32000109-004	1-1/2	1700							
V5034A1240	V5097A1012, ② 32001605-001	2	3200							
V5034A1257	V5097A1012, ② 32001605-002	2-1/2	3800							

06

See Footnotes on page 91.

V5034 INDUSTRIAL VALVE CROSS REFERENCE (Continued).

Device To Be Replaced	Specifications of the Device to be Replaced							Comments		
	Current Replacement	Valve Size (in.)	Capacity (cfh) ①	Maximum Operating Pressure (psi)	On-Off Disc	Characterized Guide	Valve Stem			
V5034A1265	V5097A1012, ② 32001605-003	3	4900	0.5 ↓	X	X ↓	Short ↓			
V5034A1273	V5097B1002, ② 32000109-002	1	950							
V5034A1281	V5097B1002, ② 32000109-003	1-1/4	1350							
V5034A1299	V5097B1002, ② 32000109-004	1-1/2	1700							
V5034A1307	V5097B1010, ② 32001605-001	2	3000							
V5034A1315	V5097B1010, ② 32001605-002	2-1/2	3700							
V5034A1323	V5097B1010, ② 32001605-003	3	4300							
V5034A1398	V5097B1010, ② 32001605-001	2	2800							With high turndown bonnet assembly.
V5034A1406	V5097B1010, ② 32001605-002	2-1/2	3400							With high turndown bonnet assembly.
V5034A1414	V5097B1010, ② 32001605-003	3	3800							With high turndown bonnet assembly.

FOOTNOTES:

- ① If the V5034 Valve still has the V4034 Actuator, replace the V4034 Actuator with the appropriate V4055A Actuator.
- ② Replace the V6034 or V9034 Actuator with the appropriate V4063 or V9055 Actuator.
- ③ Capacity indicated is for 1 in. w.c. pressure drop (0.64 specific gravity gas) across the valve.

V5055 INDUSTRIAL GAS VALVE.

Device to be Replaced	Current Replacement	Specifications of the Device to be Replaced			Comments	
		Valve Size (in.)	Valve Type	Capacity (cf/h) ^①		Maximum Operating Pressure ^②
V5055A1004	V5055A1004 (3)(4)	1	With on-off disc.	960	15 psi	
V5055A1012	V5055A1012 (3)(4)	1-1/4		1406	15 psi	
V5055A1020	V5055A1020 (3)(4)	1-1/2		1717	15 psi	
V5055A1038	V5055A1038 (3)(4)	2		3620	15 psi	
V5055A1046	V5055A1046 (3)(4)	2-1/2		4250	15 psi	
V5055A1053	V5055A1053 (3)(4)	3		5230	15 psi	
V5055A1061	V5055A1061 (5)	1		960	15 psi	With BSP PL thread; International models.
V5055A1079	V5055A1079 (5)	1-1/4		1406	15 psi	
V5055A1087	V5055A1087 (5)	1-1/2		1717	15 psi	
V5055A1095	V5055A1095 (5)	2		3620	15 psi	
V5055A1103	V5055A1103 (5)	2-1/2		4250	15 psi	
V5055A1111	V5055A1111 (5)	3		5230	15 psi	
V5055A1129	None	1		960	15 psi	With BSP PL thread and BGC and DGI approved; International models.
V5055A1137	None	1-1/4		1406	15 psi	
V5055A1145	V5055A1145 (5)	1-1/2		1717	15 psi	
V5055A1152	V5055A1152 (5)	2		3620	15 psi	
V5055A1160	V5055A1160 (5)	2-1/2		4250	15 psi	
V5055A1178	V5055A1178 (5)	3		5230	15 psi	
V5055A1186	V5055A1012 (3)(4)	1-1/4		1406	15 psi	With 1/2 inch NPT tap and plug upstream.
V5055A1194	V5055A1020 (3)(4)	1-1/2		1717	15 psi	
V5055A1202	V5055A1038 (3)(4)	2		3620	15 psi	
V5055A1210	V5055A1046 (3)(4)	2-1/2		4250	15 psi	Flanged connections.
V5055A1228	V5055A1228 (3)(4)	4		10200	5 psi	
V5055A1236	None	4		10200	5 psi	
V5055A1244	V5055A1038 (3)(4)	2		3620	15 psi	With DIN standard flange; International model.
V5055A1251	V5055A1053 (3)(4)	3		5230	15 psi	With 1/4 inch NPT tap and plug downstream.
V5055A1269	None	50 mm		5230	15 psi	DIN standard flange; International models.
V5055A1277	None	65 mm		5230	15 psi	With 1/8 inch NPT tap and plug downstream.
V5055A1285	None	80 mm		5230	15 psi	
V5055A1293	V5055A1020 (3)(4)	1-1/2		1717	15 psi	
V5055A1301	V5055A1053 (3)(4)	3	5230	15 psi		
V5055A1319	V5055A1012 (3)(4)	1-1/4	1406	15 psi		
V5055A1327	V5055A1038 (3)(4)	2	3620	15 psi		

92

See Footnotes on page 95.

V5055 INDUSTRIAL GAS VALVE (Continued).

Device to be Replaced	Current Replacement	Specifications of the Device to be Replaced			Comments	
		Valve Size (in.)	Valve Type	Capacity (cf/h) ^①		Maximum Operating Pressure ^②
V5055A1335	V5055A1046 (3)(4)	2-1/2	With on-off disc. ↓	4250	15 psi	With 1/8 inch NPT tap and plug downstream. ↓
V5055A1343	V5055A1343 (3)(4)	3/4		665	15 psi	
V5055A1350	V5055A1343 (3)(4)	3/4		665	15 psi	
V5055A1368	V5055A1004 (3)(4)	1		960	15 psi	
V5055A1376	V5055A1228 (3)(4)	4		10200	5 psi	Flanged connections.
V5055B1002	V5055B1002 (3)(4)	1	With characterized guide ↓	960	15 psi	
V5055B1010	V5055B1010 (3)(4)	1-1/4		1406	15 psi	
V5055B1028	V5055B1028 (3)(4)	1-1/2		1717	15 psi	
V5055B1036	V505501069 (3)(4)	2		3620	15 psi	
V5055B1044	V5055B1077 (3)(4)	2-1/2		4250	15 psi	
V5055B1051	V5055B1085 (3)(4)	3		5230	15 psi	
V5055B1069	V5055B1069 (3)(4)	2		3620	15 psi	
V5055B1077	V5055B1077 (3)(4)	2-1/2		4250	15 psi	
V5055B1085	V5055B1085 (3)(4)	3		5230	15 psi	
V5055B1093	V5055B1093 (5)	1		960	15 psi	
V5055B1101	None	1-1/4		1406	15 psi	↓
V5055B1119	V5055B1119 (5)	1-1/2		1717	15 psi	
V5055B1127	V5055B1127 (5)	2		3620	15 psi	International models; with BSP PL thread. Revised modulating guide.
V5055B1135	V5055B1135 (5)	2-1/2		4250	15 psi	International models; with BSP PL thread. Revised modulating guide.
V5055B1143	V5055B1143 (5)	3		5230	15 psi	International models; with BSP PL thread. Revised modulating guide.
V5055B1150	V5055B1150 (5)	4		9180	5 psi	International models; with BSP PL thread. Flanged connections.
V5055B1168	V5055B1168 (5)	1		960	15 psi	International models; with BSP PL thread approved unit for BGC and DGI.
V5055B1176	None	1-1/4		1406	15 psi	↓
V5055B1184	V5055B1184 (5)	1-1/2		1717	15 psi	
V5055B1192	V5055B1192 (5)	2		3620	15 psi	
V5055B1200	V5055B1200 (5)	2-1/2	4250	15 psi		
V5055B1218	V5055B1218 (5)	3	5230	15 psi	↓	
V5055B1226	None	4	9180	5 psi		With DIN standard flange; International model.
V505SB1234	V5055B1234 (3)(4)	3/4	665	15 psi	↓	
V5055B1242	None	3	5230	15 psi		
V5055B1259	None	2-1/2	4250	15 psi		
V5055B1267	V5055B1267 (3)(4)	2	3620	15 psi		With Australian Gas Association approval.

V5055 INDUSTRIAL GAS VALVE (Continued).

Device to be Replaced	Current Replacement	Specifications of the Device to be Replaced			Comments		
		Valve Size (in.)	Valve Type	Capacity (cf/h) ^①		Maximum Operating Pressure ^②	
V5055B1275	V5055B1275 (3)(4)	1-1/2	With characterized guide ↓	1717	15 psi	With Australian Gas Association approval. ↓	
V5055B1283	None	1-1/4		1406	15 psi		
V5055B1291	V5055B1291 (3)(4)	1		960	15 psi	International model, BSP PL thread, with screen approved unit for BCG and OGI.	
V5055B1325	V5055B1325 (5)	3		5230	15 psi		
V5055B1333	V5055B1333	2		3620	15 psi		
V5055B1341	None	3		5230	15 psi	Additional 1/4 inch downstream tap.	
V5055C1000	V5055C1000 (3)(4)	2	With on-off disc. and valve seal overtravel. ↓	3620	15 psi		
V5055C1018	V5055C1018 (3)(4)	2-1/2		4250	15 psi		
V5055C1026	V5055C1026 (3)(4)	3		5230	15 psi		
V5055C1034	V5055C1034 (3)(4)	1		960	15 psi		With 1/2 inch NPT tap and plug upstream. ↓
V5055C1042	V5055C1042 (3)(4)	1-1/4		1406	15 psi		
V5055C1059	V5055C1059 (3)(4)	1-1/2		1717	15 psi		With DIN standard flange; International model. ↓
V5055C1067	V5055C1042 (3)(4)	1-1/4		1406	15 psi		
V5055C1075	V5055C1059 (3)(4)	1-1/2		1717	15 psi		
V5055C1083	V5055C1000 (3)(4)	2		3620	15 psi		
V5055C1091	V5055C1018 (3)(4)	2-1/2		4250	15 psi		
V5055C1109	V5055C1109 (3)(4)	4		9180	5 psi		
V5055C1117	None	4		9180	5 psi		
V5055C1125	V5055C1042 (3)(4)	1-1/4		1406	15 psi	With 1/8 inch NPT tap and plug downstream. ↓	
V5055C1133	V5055C1059 (3)(4)	1-1/2		1717	15 psi		
V5055C1141	V5055C1000 (3)(4)	2		3620	15 psi		
V5055C1158	V5055C1018 (3)(4)	2-1/2		4250	15 psi		
V5055C1166	V5055C1026 (3)(4)	3		5230	15 psi	With 1/8 inch NPT and plug downstream.	
V5055C1174	V5055C1182 (3)(6)	3/4		665	15 psi		
V5055C1182	V5055C1182 (3)(6)	3/4		665	15 psi		
V5055C1190	V5055C1034 (3)(4)	1		960	15 psi		
V5055C1208	None	4		9180	5 psi	With BSP PL threads and screen.	
V5055C1216	None	2		3620	15 psi		
V5055C1224	None	2-1/2		4250	15 psi		
V5055C1232	None	3	5230	15 psi			

See Footnotes on page 95.

V5055 INDUSTRIAL GAS VALVE (Continued).

Device to be Replaced	Current Replacement	Specifications of the Device to be Replaced				Comments
		Valve Size (in.)	Valve Type	Capacity (cf/h) ^①	Maximum Operating Pressure ^②	
V5055D1008	V5055D1008 ^③ ^④	1	With on-off disc. ↓	960	25 psi ↓	
V5055D1016	V5055D1016 ^③ ^④	1-1/4		1406		
V5055D1024	V5055D1024 ^③ ^④	1-1/2		1717		
V5055D1032	V5055D1032 ^③ ^④	2		3620	15 psi ↓	
V5055D1040	V5055D1040 ^③ ^④	2-1/2		4250		
V5055D1057	V5055D1057 ^③ ^④	3		5230		
V5055D1065	V5055D1065 ^③ ^⑦	3/4		665	25 psi	
V5055E1005	V5055E1005 ^③ ^④	2	With on-off disc. and valve seal overtravel. ↓	3620	15 psi ↓	
V5055E1013	V5055E1013 ^③ ^④	2-1/2		4250		
V5055E1021	V5055E1021 ^③ ^④	3		5230		
V5055E1039	V5055E1039 ^③ ^④	1		960	25 psi ↓	
V5055E1047	V5055E1047 ^③ ^④	1-1/4		1406		
V5055E1054	V5055E1054 ^③ ^④	1-1/2		1717		
V5055E1062	V5055E1062 ^③ ^⑦	3/4		665	25 psi	

FOOTNOTES:

- ① Capacity indicated is for 1.0 in. w.c. pressure drop (0.64 specific gravity gas) across the valve.
- ② The pressure indicated in this column is the maximum operating pressure of the V5055 when used with the high pressure on-off actuator V4055B or E. Refer to the following table for complete listing of maximum operating pressure under all possible valve-actuator combinations.

- ③ With 1/4-NPT upstream tap and plug.
- ④ With 1/4-NPT downstream tap and plug.
- ⑤ With BSP upstream tap and plug.
- ⑥ With additional 1/8 inch downstream tap and plug.
- ⑦ With additional 1/4 inch downstream tap and plug.
- ⑧ For most effective modulating characteristics, the V5055B Gas Valve should be used with the V4062A,D and V9055A,D Valve Actuators.

VALVE	Actuator		
	V4055A,D	V4055B,E	V4062A,D V9055A,D ^⑧
V5055A,C 3/4-3 in.	5 psi diff. 15 psi close-off	15 psi diff. 15 psi close-off	5 psi diff. 15 psi close-off
V5055A,C 4 in.	3 psi diff. 15 psi close-off	5 psi diff. 15 psi close-off	3 psi diff. 15 psi close-off
V5055B 3/4-3 in.	5 psi diff. 15 psi close-off	15 psi diff. 15 psi close-off	5 psi diff. 15 psi close-off
V5055B 4 in.	3 psi diff. 15 psi close-off	5 psi diff. 15 psi close-off	3 psi diff. 15 psi close-off
V5055D,E 3/4, 1, 1-1/4, 1-1/2 in.	5 psi diff. 75 psi close-off	25 psi diff. 75 psi close-off	—
V5055D,E 2, 2-1/2, 3 in.	5 psi diff. 45 psi close-off	15 psi diff. 45 psi close-off	—

Psi diff.: This is the maximum differential pressure in psi at which the valve actuator can operate. It can also be called maximum operating pressure.

Psi close-off: This is the maximum differential pressure that the valve can withstand with leakages within specification. (Some approval bodies require the close-off pressure of the valve to be rated at the upstream pressure of the pressure regulator.)

V5055 INDUSTRIAL GAS VALVE

Device To Be Replaced	Current Replacement	Specifications of the Device to be Replaced				Comments
		Valve Size (in.)	Valve Type	Capacity (cfh) ^①	Maximum Operating Pressure ^②	
V5055A1004	V5097A1004, 32000109-002 (3) (4)	1	With on-off disc. ↓	960	15 psi ↓	
V5055A1012	V5097A1004, 32000109-003 (3) (4)	1-1/4		1406		
V5055A1020	V5097A1004, 32000109-004 (3) (4)	1-1/2		1717		
V5055A1038	V5097A1012, 32001605-001 (3) (4)	2		3620		
V5055A1046	V5097A1012, 32001605-002 (3) (4)	2-1/2		4250		
V5055A1053	V5097A1012, 32001605-003 (3) (4)	3		5230		
V5055A1186	V5097A1004, 32000109-003 (3) (4)	1-1/4		1406		With 1/2 inch NPT tap and plug upstream. ↓
V5055A1194	V5097A1004, 32000109-004 (3) (4)	1-1/2		1717		
V5055A1202	V5097A1012, 32001605-001 (3) (4)	2		3620		
V5055A1210	V5097A1012, 32001605-002 (3) (4)	2-1/2		4250		With 1/4 inch NPT tap and plug downstream. ↓
V5055A1244	V5097A1012, 32001605-001 (3) (4)	2		3620		
V5055A1251	V5097A1012, 32001605-003 (3) (4)	3		5230		With 1/8 inch NPT tap and plug downstream. ↓
V5055A1293	V5097A1004, 32000109-004 (3) (4)	1-1/2		1717		
V5055A1301	V5097A1012, 32001605-003 (3) (4)	3		5230		
V5055A1319	V5097A1004, 32000109-003 (3) (4)	1-1/4		1406		
V5055A1327	V5097A1012, 32001605-001 (3) (4)	2		3620		
V5055A1335	V5097A1012, 32001605-002 (3) (4)	2-1/2		4250		
V5055A1343	V5097A1004, 32000109-001 (3) (4)	3/4		665		
V5055A1350	V5097A1004, 32000109-001 (3) (4)	3/4		665		
V5055A1368	V5097A1004, 32000109-002 (3) (4)	1	960			
V5055B1002	V5097B1002, 32000109-002 (3) (4)	1	With characterized guide ↓	960	15 psi ↓	
V5055B1010	V5097B1002, 32000109-003 (3) (4)	1-1/4		1406		
V5055B1028	V5097B1002, 32000109-004 (3) (4)	1-1/2		1717		
V5055B1036	V5097B1010, 32001605-001 (3) (4)	2		3620		
V5055B1044	V5097B1010, 32001605-002 (3) (4)	2-1/2		4250		
V5055B1051	V5097B1010, 32001605-003 (3) (4)	3		5230		
V5055B1069	V5097B1010, 32001605-001 (3) (4)	2		3620		
V5055B1077	V5097B1010, 32001605-002 (3) (4)	2-1/2		4250		
V5055B1085	V5097B1010, 32001605-003 (3) (4)	3		5230		
V5055C1000	V5097C1018, 32001605-001 (3) (4)	2	With on-off disc and valve seal overtravel.	3620	15 psi	

See Footnotes on page 99.

V5055 INDUSTRIAL GAS VALVE (Continued).

Device To Be Replaced	Current Replacement	Specifications of the Device to be Replaced				Comments	
		Valve Size (in.)	Valve Type	Capacity (cfh) ^①	Maximum Operating Pressure ^②		
V5055C1018	V5097C1018, 32001605-002	③ ④	2-1/2	With on-off disc and valve seal overtravel.	4250	15 psi	
V5055C1026	V5097C1018, 32001605-003	③ ④	3				
V5055C1034	V5097C1000, 32000109-002	③ ④	1				
V5055C1042	V5097C1000, 32000109-003	③ ④	1-1/4				
V5055C1059	V5097C1000, 32000109-004	③ ④	1-1/2				
V5055C1067	V5097C1000, 32000109-003	③ ④	1-1/4				
V5055C1075	V5097C1000, 32000109-004	③ ④	1-1/2				
V5055C1083	V5097C1018, 32001605-001	③ ④	2				
V5055C1091	V5097C1018, 32001605-002	③ ④	2-1/2				
V5055C1125	V5097C1018, 32001605-003	③ ④	1-1/4				
V5055C1133	V5097C1018, 32001605-004	③ ④	1-1/2				
V5055C1141	V5097C1018, 32001605-001	③ ④	2				
V5055C1158	V5097C1000, 32001605-002	③ ④	2-1/2				
V5055C1166	V5097C1000, 32001605-003	③ ④	3				
V5055C1174	V5097C1018, 32000109-001	③ ④	3/4				
V5055C1182	V5097C1018, 32000109-001	③ ④	3/4				
V5055C1190	V5097C1018, 32000-002	③ ④	1	960			
↓							
V5055D1008	V5097D1008, 32000109-002	③ ④	1	With on-off disc.	960	25 psi	
V5055D1016	V5097D1008, 32000109-003	③ ④	1-1/4		1406		
V5055D1024	V5097D1008, 32000109-004	③ ④	1-1/2		1717		
V5055D1032	V5097D1016, 32001605-001	③ ④	2		3620	15 psi	
V5055D1040	V5097D1016, 32001605-002	③ ④	2-1/2		4250		
V5055D1057	V5097D1016, 32001605-003	③ ④	3		5230		
V5055D1065	V5097D1008, 32000109-001	③ ④	3/4		665		
↓							
③							
V5055E1005	V5097E1013, 32001605-001	③ ④	2	With on-off disc. and valve seal overtravel.	3620	15 psi	
V5055E1013	V5097E1013, 32001605-002	③ ④	2-1/2		4250		
V5055E1021	V5097E1013, 32001605-003	③ ④	3		5230		
V5055E1039	V5097E1005, 32000109-002	③ ④	1		960	25 psi	
V5055E1047	V5097E1005, 32000109-003	③ ④	1-1/4		1406		
V5055E1054	V5097E1005, 32000109-004	③ ④	1-1/2		1717		
V5055E1062	V5097E1005, 32000109-001	③ ④	3/4		665		

97

FOOTNOTES:

- ① Capacity indicated is for 1.0 in. w.c. pressure drop (0.64 specific gravity gas) across the valve.
- ② The pressure indicated in this column is the maximum operating pressure of the V5097 when used with the high pressure on-off actuator V4055B or E. Refer to the following table for complete listing of maximum operating pressure under all possible valve-actuator combinations.
- ③ With three 1/4 in. NPT upstream tap and plug.
- ④ With two 1/4 in. NPT downstream tap and plug.
- ⑤ With three BSP upstream tap and plug.
- ⑥ For most effective modulating characteristics, the V5097B Gas Valve should be used with the V4062A,D and V9055A,D Valve Actuators.

Valve	Actuator		
	V4055A,D	V4055B,E	V4062A,D V9055A,D
V5097A,C 3/4 in. to 3 in.	5 psi Diff. 15 psi close-off.	15 psi diff. 15 psi close-off.	5 psi diff. 15 psi close-off.
V5097B 3/4 in. to 3 in.	5 psi Diff. 15 psi close-off.	15 psi diff. 15 psi close-off.	5 psi diff. 15 psi close-off.
V5097D,E 3/4, 1, 1-1/4, 1-1/2 in.	5 psi diff. 75 psi closeoff.	25 psi diff. 75 psi close-off.	—
V5097D,E 2, 2-1/2, 3 in.	5 psi diff. 45 psi close-off.	15 psi diff. 45 psi close-off.	—

Psi diff. This is the maximum differential pressure in psi at which the valve actuator can operate. It can also be called maximum operating pressure.

Psi close-off. This is the maximum differential pressure that the valve can withstand with leakages within specification. (Some approval bodies require the close-off pressure of the valve to be rated at the upstream pressure of the pressure regulator.)

V6034 FLUID POWER HI-LOW-OFF ACTUATOR.

Device to be Replaced	Current Replacement ^②	Voltage	Specifications of the Device to be Replaced				Comments
			Frequency	Opening Time	With Damper Arm	Used With Valve Type	
V6034A1008	V4062A1008 ^{①④}	24	50/60	40 sec.	Yes ^③	Long stem V5034A ^②	
V6034A1016	V4062A1000 ^{①④}	24	50/60	35 sec.	Yes ^③	Long stem or short stem V5034A ^②	

FOOTNOTES:

- ① 120V/60 Hz.
- ② The V4062A Actuator is not compatible with the V5034A Valve. When replacing the V6034A with the V4062A Actuator, the V5034A valve body *must be replaced* by the V5055B valve body. See V5034 replacement cross reference information.
- ③ Reverse-acting damper arm with return-spring was available as an accessory. If damper arm return-spring is needed, install an external return-spring.
- ④ Replacement opening time is 26 seconds.

V9034 FLUID POWER MODULATING ACTUATOR.

Device to be Replaced	Current Replacement ^②	Voltage	Specifications of the Device to be Replaced				Comments
			Frequency	Opening Time	With Damper Arm	Use With Valve Type	
V9034A1002	V9055A1055 ^{①④}	24	50/60	40 sec.	Yes ^③	Long stem V5034A Valve ^②	
V9034A1010	None	24	50/60	40 sec.	Yes ^③	Long stem V5034A Valve ^②	With metric terminal and (International) ground screw.
V9034A1028	V9055A1055 ^{①④}	24	50/60	35 sec.	Yes ^③	Long or short stem V5034A ^②	
V9034A1036	None	24	50/60	35 sec.	Yes ^③	Long or short stem V5034A ^②	With metric terminal and (International) ground screw.

FOOTNOTES:

- ① 120V/60 Hz.
- ② The V9055A Actuator is not compatible with the V5034A Valve. When replacing the V9034A with the V9055A Actuator, the V5034A valve body *must be replaced* by the V5055B valve body. See V5034 replacement cross reference information.
- ③ Reverse-acting damper arm with return-spring was available as an accessory. If damper arm return-spring is needed, install an external return-spring.
- ④ Replacement opening time is 26 seconds.

V9055 ^④ MODULATING ACTUATOR CROSS REFERENCE.

Device to be Replaced	Current Replacement ^⑤	Specifications of the Device to be Replaced				Comments
		Voltage/Frequency	Opening Time ^①	Damper Arm	Maximum Operating Pressure	
V9055A1006	V9055A1055	120V/60	Standard ↓	Yes ↓	5 psi ↓	International models. ↓ Low fire adjustable from 5 to 50 percent of valve stem travel. ^③ ↓ Low fire adjustable from 5 to 50 percent of valve stem travel and NEMA 4 enclosure. ^③ ↓ International model: low fire adjustable from 5 to 50 percent of valve stem travel. ^③ ↓ With spring return damper arm.
V9055A1014	None	100V/50,60				
V9055A1022	None	220V/50,60				
V9055A1030	V9055A1097	220V/50				
V9055A1048	V9055A1105	240V/50				
V9055A1055	V9055A1055	120V/60				
V9055A1063	V9055A1063	120V/60				
V9055A1071	V9055A1071	100V/50,60				
V9055A1089	None	200V/50,60				
V9055A1097	V9055A1097	220V/50				
V9055A1105	V9055A1105	240V/50				
V9055A1113	V9055A1113	120V/60				
V9055B						
V9055C1002	V9055A1097 ^② ↓	220V/50 ↓	Fast ↓	Yes ↓	5 psi ↓	International models: consists of a V9055A factory-assembled on a V5055 to meet DIN approval requirements. ↓
V9055C1010						
V9055C1028						
V9055C1036						
V9055C1044						
V9055C1051						
V9055D1000	V9055D1000	120V/60	Standard	Yes	5 psi	Low fire adjustable from 5 to 50 percent of valve stem travel and valve seal overtravel interlock. ^③

FOOTNOTES:

^① Opening times for 60 and 50 cycles are listed below:

Frequency	60 Cycle	50 Cycle
Fast	13 sec.	16 sec.
Standard	26 sec.	32 sec.

^② Plus a DIN approved V5055B valve body.

^③ NOTE: Low fire adjustability is based on percent of valve stem travel, which is not indicative of the turndown ratio achievable. Refer to individual V5055B Gas Valve flow curves, form 70-8311, to determine approximate achievable turndown ratios.

^④ For most effective modulating characteristics, V9055A,D should be used with V5055B Valve.

^⑤ 203422C Adapter Board allows the V9055 to be controlled with a 4-20 dc mA input.

ASCO 8040 SOLENOID VALVES.

Device to be Replaced	Current Replacement ^②	Specifications of the Device to be Replaced				Comments
		Valve Size (in.)	Voltage/Frequency	Maximum Operating Pressure (psi)	Capacity (cf/h)	
8040B7	V4046C1047	1/4	①	15	60.0	
8040B8	V4046C1054	3/8	①	15	70.0	
8040A18	V4046C1047	1/4	①	4	60.0	
8040A19	V4046C1054	3/8	①	4	70.0	

FOOTNOTES:

- ① Replacements listed are for 120V/60 Hz. For other voltages, check V4046C/V8046C cross reference in this section.
- ② Perform pilot turndown test if valve is used as pilot valve.

ITT GENERAL HYDRAMOTOR GAS VALVE ACTUATOR CROSS REFERENCE.

Device to be Replaced ⁽⁴⁾	Current Replacement	Specifications of the Device to be Replaced					Comments
		Voltage/Frequency	Type	Maximum Operating Pressure (psi)	Opening Time (Secs)	Valve Seal Overtravel Interlock	
AH2A101A	None ⁽²⁾	24/60	on-off	5.0	30	no	⁽⁴⁾
AH2A102A	V4055A1064 ⁽¹⁾⁽⁶⁾	120/60 110/50	on-off	5.0	30	no	⁽⁴⁾
AH2A102S	V4055D1001 ⁽¹⁾⁽³⁾⁽⁶⁾	120/60 110/50	on-off	5.0	30	yes	⁽⁴⁾
AH2A104A	V4055A1080 ⁽¹⁾⁽⁶⁾	240/60 220/50	on-off	5.0	30	no	⁽⁴⁾
AH2A104S	V4055D1001 ⁽¹⁾⁽³⁾⁽⁶⁾	240/60 220/50	on-off	5.0	30	yes	⁽⁴⁾
AH2A112A	V4055A1098 ⁽¹⁾⁽¹⁰⁾	120/60 110/50	on-off	5.0	15	no	⁽⁴⁾
AH2A112S	V4055D1019 ⁽¹⁾⁽³⁾⁽¹⁰⁾	120/60 110/50	on-off	5.0	15	yes	⁽⁴⁾
AH2A114A	V4055A1114 ⁽¹⁾⁽¹⁰⁾	240/60 220/50	on-off	5.0	15	no	⁽⁴⁾
AH2A114S	V4055D1019 ⁽¹⁾⁽³⁾⁽¹⁰⁾	240/60 220/50	on-off	5.0	15	yes	⁽⁴⁾
AH2B101A4	None	24/60	on-off	⁽⁵⁾	14-24	no	With damper shaft, arm.
AH2B102A	V4055B1021 ⁽¹⁾⁽⁶⁾⁽⁷⁾	120/60	on-off	⁽⁵⁾	14-24	no	
AH2B102A1	V4055B1021 ⁽¹⁾⁽⁶⁾	120/60	on-off	⁽⁵⁾	14-14	no	With damper shaft.
AH2B102A4	V4055B1021 ⁽¹⁾⁽⁶⁾⁽⁸⁾	120/60	on-off	⁽⁵⁾	14-24	no	With damper shaft, arm.
AH2B102A5	V4055B1021 ⁽¹⁾⁽⁶⁾⁽⁸⁾⁽⁹⁾	120/60	on-off	⁽⁵⁾	14-24	no	With damper shaft, arm, auxiliary switch (left).
AH2B102A8	V4055B1021 ⁽¹⁾⁽⁶⁾⁽⁸⁾⁽⁹⁾	120/60	on-off	⁽⁵⁾	14-24	no	With damper shaft, arm, auxiliary switch (right).
AH2B104A4	V4055A1080 ⁽¹⁾⁽⁶⁾⁽⁸⁾⁽⁹⁾⁽¹¹⁾	240/60	on-off	⁽⁵⁾	14-24	no	With damper shaft, arm.
AH2B112A	V4055B1039 ⁽¹⁾⁽¹⁰⁾	120/60	on-off	⁽⁵⁾	7-12	no	
AH2B112S	V4055E1016 ⁽¹⁾⁽⁷⁾⁽¹⁰⁾	120/60	on-off	⁽⁵⁾	7-12	yes	
AH2B112A1	V4055B1039 ⁽¹⁾⁽¹⁰⁾	120/60	on-off	⁽⁵⁾	7-12	no	With damper shaft.
AH2B112A2	V4055B1039 ⁽¹⁾⁽⁹⁾⁽¹⁰⁾	120/60	on-off	⁽⁵⁾	7-12	no	With auxiliary switch (left).
AH2B112A4	V4055B1039 ⁽¹⁾⁽⁸⁾⁽¹⁰⁾	120/60	on-off	⁽⁵⁾	7-12	no	With damper shaft, arm.
AH2B112A5	V4055B1039 ⁽¹⁾⁽⁸⁾⁽⁹⁾⁽¹⁰⁾	120/60	on-off	⁽⁵⁾	7-12	no	With damper shaft, arm, auxiliary switch (left).
AH2B112A8	V4055B1039 ⁽¹⁾⁽⁸⁾⁽⁹⁾⁽¹⁰⁾	120/60	on-off	⁽⁵⁾	7-12	no	With damper shaft, arm, auxiliary switch (right).
AH2B112S4	V4055E1016 ⁽¹⁾⁽⁸⁾⁽¹⁰⁾	120/60	on-off	⁽⁵⁾	7-12	yes	With damper shaft, arm.

See Footnotes on page 104.

ITT GENERAL HYDRAMOTOR GAS VALVE ACTUATOR CROSS REFERENCE (Continued).

Device to be Replaced ⁽⁴⁾	Current Replacement	Specifications of the Device to be Replaced					Comments
		Voltage/Frequency	Type	Maximum Operating Pressure (psi)	Opening Time (Secs)	Valve Seal Overtravel Interlock	
AH2B114A4	V4055A1114 ⁽¹⁾⁽⁸⁾⁽¹⁰⁾⁽¹¹⁾	240/60	on-off	5	7-12	no	With damper shaft, arm.
AH4A122A	V4062A1008 ⁽¹⁾⁽⁶⁾	120/60 110/50	hi-lo-off	5.0	20	no	(4)
AH4A124A	None ⁽²⁾	240/60 110/50	hi-lo-off	5.0	20	no	(4)
AH4B112A4	V4062A1131 ⁽¹⁾⁽⁸⁾⁽¹⁰⁾⁽¹¹⁾	120/60	hi-lo-off	5	7-12	no	With damper shaft, arm.
AH4B112S4	V4062D1010 ⁽¹⁾⁽⁸⁾⁽¹⁰⁾⁽¹¹⁾	120/60	hi-lo-off	5	7-12	yes	With damper shaft, arm.
AH4B112S9	V4062D1010 ⁽¹⁾⁽⁹⁾⁽¹⁰⁾⁽¹¹⁾	120/60	hi-lo-off	5	7-12	yes	With auxiliary switch (left).
AH8A122	V9055A1055 ⁽¹⁾⁽¹¹⁾	120/60 110/50	modulating	5.0	20	no	(4)
AH8A124A	None ⁽²⁾	240/60 220/50	modulating	5.0	20	no	(4)
AH8B112A4	V9055A1055 ⁽¹⁾⁽⁶⁾⁽⁸⁾⁽¹¹⁾	120/60	modulating	5	7-12	no	With damper shaft, arm.
AH13A131A	None ⁽²⁾	24/50,60	on-off	5.0	30	no	(4)
AH13A132A	V4055A1064 ⁽⁶⁾⁽¹²⁾	120/50,60	on-off	5.0	30	no	(4)
AH13A134A	V4055A1080 ⁽⁶⁾⁽¹²⁾	240/50,60	on-off	5.0	30	no	(4)
AH13A142A	V4055A1098 ⁽¹⁰⁾⁽¹²⁾	120/50,60	on-off	5.0	15	no	(4)
AH13A144A	V4055A1114 ⁽¹⁰⁾⁽¹²⁾	240/50,60	on-off	5.0	15	no	(4)
AH13B102A4	V4055B1039 ⁽¹⁰⁾⁽¹²⁾	120/60	on-off	5	6-12	no	(4)
AH13B112A4	V4055B1039 ⁽¹⁰⁾⁽¹²⁾	120/60	on-off	5	4-9	no	(4)
HOA231	None ⁽²⁾	24/50,60	on-off	5.0	30	no	(4)
HOA232	V4055A1064 ⁽⁶⁾⁽¹²⁾	120/50,60	on-off	5.0	30	no	(4)
HOA232A01	V4055A1304 ⁽⁶⁾⁽⁹⁾⁽¹²⁾	120/50,60	on-off	5.0	30	no	(4)
HOA234	V4055A1080 ⁽⁶⁾⁽⁷⁾⁽¹²⁾	240/50,60	on-off	5.0	30	no	(4)

See Footnotes on page 104.

ITT GENERAL HYDRAMOTOR GAS VALVE ACTUATOR CROSS REFERENCE (Continued).

Device to be Replaced ^④	Current Replacement	Specifications of the Device to be Replaced					Comments
		Voltage/Frequency	Type	Maximum Operating Pressure (psi)	Opening Time (Secs)	Valve Seal Overtravel Interlock	
HO4A252	V4055A1098 ^⑩ ^⑫	120/50,60	on-off	5.0	15	no	^④
HO4A252A01	None	120/50,60	on-off	5.0	15	no	^④
HO4A254	V4055A1114 ^⑩ ^⑫	240/50,60	on-off	5.0	15	no	^④

FOOTNOTES:

- ① Must be used with Q5055 Adapter. See Accessory section.
- ② Recommend modernizing system to 120V, 60 Hz.
- ③ Actuator that has proof-of-valve closure switch to meet insurance or Underwriters Laboratories Inc. requirements should be modernized to 120V, 60 Hz. (120V, 60 Hz is an Underwriters Laboratories Inc. requirement and is recommended by Insurance companies.)
- ④ In some cases, the device to be replaced may have additional options such as auxiliary switch(es), damper shaft return-spring, etc. Reference V4055/V4062/V9055 pages in this section for closest replacement. Hydramotor actuator options are designated by a suffix number following the catalog number. Actuator options are as follows:

Suffix to Catalog Number

- 01 = With spring-return damper arm—with one auxiliary switch that may be adjusted to actuate at any position of the stroke.
- 03 = With spring-return damper arm.
- 04 = Two auxiliary switches—may be adjusted to actuate at any position of the stroke (available only with nonproof-of-closure actuators).
- 10 = Less damper arm.
- 11 = Less damper arm—with one auxiliary switch that may be adjusted to actuate at any position of the stroke.
- 12 = Less damper arm—with two auxiliary switches that may be adjusted to actuate at any position of the stroke. (Available only with nonproof-of-closure actuators.)
- 14 = Less damper arm—with one 0-135 ohm auxiliary potentiometer.
- 15 = Less damper arm—with one auxiliary switch and one auxiliary potentiometer (0-135).
- 21 = One auxiliary switch—may be adjusted to actuate at any position of the stroke.
- 22 = One 0-135 ohm auxiliary potentiometer.
- 24 = One auxiliary switch and one auxiliary potentiometer (combination of options 21 and 22) (available only on nonproof-of-closure actuators).
- 25 = Less damper arm—with one auxiliary switch that may be adjusted to actuate at any position of the stroke; switch mounted on *right* side of actuator. (Not available on proof-of-closure actuators.)
- 26 = One auxiliary switch—may be adjusted to actuate at any position of the stroke. Switch mounted on right side of actuator. (Not available on proof-of-closure actuators.)
- 27 = With spring-return damper arm. Two auxiliary switches—may be adjusted to actuate at any position of the stroke. (Not available on proof-of-closure actuators.)
- 30 = With special damper arm extension shaft (3 inches beyond face of actuator)—less damper arm lever.
- 31 = With special damper arm extension shaft (3 inches beyond face of actuator)—with return-spring.
- 33 = 3/8 inch square drive rod for customer's damper arm assembly—less damper arm.
- 34 = 3/8 inch square drive rod for customer's damper arm assembly—less damper arm. AH2A1025 only with opening time of 20 seconds plus 0, minus 5 seconds.

Applies to:

- AH2, AH4, AH8
- AH2, AH4, AH8
- AH2
- AH2, AH4, AH8
- AH2, AH4, AH8
- AH2
- AH8
- AH8
- AH2, AH4, AH8
- AH8
- AH8
- AH4
- AH4
- AH2
- AH2, AH4, AH8
- AH2, AH4, AH8
- AH2, AH4, AH8
- AH2A1025 only

- ⑤ With V710 3/4- through 1-1/2 inch valves, maximum operating pressure differential is 15 psi. With V710 2- through 3- inch valves, maximum operating pressure differential is 10 psi.
- ⑥ Replacement has 26-second opening time.
- ⑦ Replacement has damper shaft.
- ⑧ Order part number 7616BR Crank Arm.
- ⑨ Order part number 133568 Auxiliary Switch Bag Assembly.
- ⑩ Replacement has 13-second opening time.
- ⑪ Replacement maximum operating pressure differential is 5 psi.
- ⑫ V5055 Gas Valve must be used with V4055 Actuator.

ITT B50D DIAPHRAGM VALVE CROSS REFERENCE.

Device to be Replaced	Current Replacement	Specifications of the Device to be Replaced				Comments
		Valve Size (in.)	Capacity (cf/h) ①	Voltage/Frequency	OPR Pressure (psi)	
B50D51B1A	V88A1717	2-1/2 ↓	5250 ↓	24/60	1.0	
B50D51B2A	V48A2250			120/60	1.0	
B50D51B2A107	None			120/60	5.0	
B50D2B1A	V88A1725	3 ↓	5563 ↓	24/60	1.0	
B50D52B2A	V48A2268			120/60	1.0	
B50D52B2A107	None			120/60	5.0	
B50D59B1A	V88A1709	2 ↓	4178 ↓	24/60	1.0	
B50D59B2A	V48A2243			120/60	1.0	
B50D59B2A107	V48F1103			120/60	5.0	
B50DB151	V88A1667	3/4 ↓	665 ↓	24/60	1.0	
B50DB151A112	V88A1659			24/60	0.5	
B50DB152A112	V48A2151			120/60	0.5	
B50DB161	V88A1675	1 ↓	1030 ↓	24/60	1.0	
B50DB161A112	V88A1618			24/60	0.5	
B50DB162	V48A2334			120/60	1.0	
B50DB162A112	V48A2169			120/60	0.5	
B50DB171	V88A1683	1-1/4 ↓	2100 ↓	24/60	1.0	
B50DB171A112	V88A1626			24/60	0.5	
B50DB172	V48A2342			120/60	1.0	
B50DB172A112	V48A2177			120/60	0.5	
B50D181	V88A1691	1-1/2 ↓	2400 ↓	24/60	1.0	
B50DB181A112	V88A1634			24/60	0.5	
B50DB182	V48A2276			120/60	1.0	
B50DB182A112	V48A2185			120/60	0.5	
B50DF151	V88A1667	3/4 ↓	665 ↓	24/60	1.0 ↓	
B50DF152	None			120/60 110/50		
B50DF161	V88A1675	1	1030	24/60	1.0 ↓	
B50DF162	V48A2334	1	1030	120/60		
B50DF171	V88A1683	1-1/4 ↓	2100 ↓	24/60		
B50DF172	V48A2342			120/60		
B50DF172A107	None	↓	↓	120/60 110/50	5.0	

See Footnotes on page 106.

ITT B50D DIAPHRAGM VALVE CROSS REFERENCE (Continued).

Device to be Replaced	Current Replacement	Specifications of the Device to be Replaced				Comments
		Valve Size (in.)	Capacity (cf/h) ^①	Voltage/Frequency	OPR Pressure (psi)	
B50DF181	V88A1691	1-1/2 ↓	2400 ↓	24/60	1.0	
B50DF182	V48A2276			120/60	1.0	
B50DF182A107	None			120/60 110/50	5.0	
B50DF511A	V88A1717	2-1/2 ↓	5250 ↓	24/60	1.0	
B50DF512A	V48A2250			120/60	1.0	
B50DF512A107	None			120/60	5.0	
B50DF521A	V88A1725	3 ↓	5563 ↓	24/60	1.0	
B50DF522A	V48A2268			120/60	1.0	
B50DF522A107	None			120/60	5.0	
B50DF591	V88A1709 ^②	2 ↓	4178 ↓	24/60	1.0 ↓	
B50F591A	V88A1709			24/60		
B50DF592	None			120/60 110/50		
B50DF592A	V48A2243			120/60	↓	
B50DF592A107	V48F1103			120/60	5.0	

FOOTNOTES:

- ① Capacity indicated is for 0.64 specific gravity gas with a one inch w.c. pressure drop across the valve.
- ② Replacement ambient temperature rating is 32° F to 125° F.

ITT GENERAL HIGH PRESSURE INDUSTRIAL GAS VALVE CROSS REFERENCE.

Device to be Replaced ^①	Current Replacements		Specifications of the Device to be Replaced							Comments
	V4055 Actuator	V5055 Gas Valve	Valve Size (in.)	Capacity (cf/h) ^⑦	Voltage/Frequency	Maximum Operating Pressure Differential (psi)	Type	Opening Time (secs)	Valve Seal Overtravel Interlock	
H118AF122	V4055B1039 ^{②④}	V5055D1008	1	960	120/60	35	on-off	7.5-17.5	no	
H118AF122F1	V4055B1039 ^{②④}	V5055D1008	1	960	120/60 110/50	35	on-off	6-14	no	With auxiliary switch.
H118AG122	V4055B1039 ^{②④}	V5055D1016	1-1/4	1210	120/60	35	on-off	7.5-17.5	no	
H118AG122F1	V4055B1039 ^{②④}	V5055D1016	1-1/4	1210	120/60 110/50	35	on-off	7-16	no	With auxiliary switch.
H118AH122	V4055B1021 ^③	V5055D1024	1-1/2	1525	120/60	25	on-off	8.5-19.5	no	
H118AH122F1	V4055B1021 ^③	V5055D1024	1-1/2	1600	120/60 110/50	25	on-off	8-18	no	With auxiliary switch.
H118AJ122	V4055B1021 ^③	V5055D1032	2	3300	120/60	15	on-off	10.0-23.5	no	
H118AJ122F1	V4055B1021 ^③	V5055D1032	2	3460	120/60 110/50	15	on-off	9-21	no	With auxiliary switch.
H118AK122	V4055B1021 ^③	V5055D1040	2-1/2	3730	120/60	15	on-off	11.5-27.5	no	
H118AK122F1	V4055B1021 ^③	V5055D1040	2-1/2	3910	120/60 110/50	15	on-off	11-24	no	With auxiliary switch.
H118AL122	V4055B1021 ^③	V5055D1057	3	6095	120/60	15	on-off	13-31	no	
H118AL122F1	V4055B1021 ^③	V5055D1057	3	6400	120/60 110/50	15	on-off	12-28	no	With auxiliary switch.
H118AN132F1	None		4	10,200	120/60 110/50	15	on-off	12-18	no	With auxiliary switch.
H118AF122F26V16	V4055E1016 ^{②④}	V5055E1039	1	650	120/60	35	on-off	7.5-17.5	yes	
H118AG122F26V16	V4055E1016 ^{②④}	V5055E1047	1-1/4	1115	120/60	35	on-off	7.5-17.5	yes	
H118AH122F26V16	V4055E1024 ^③	V5055E1054	1-1/2	1525	120/60	25	on-off	8.5-19.5	yes	
H118AJ122F26V16	V4055E1024 ^③	V5055E1005	2	2750	120/60	15	on-off	10.0-23.5	yes	
H118AJ122F1F26V16	V4055E1024 ^{③⑥}	V5055E1005	2	3460	120/60 110/50	15	on-off	9-24	yes	With auxiliary switch.
H118AK122F26V16	V4055E1024 ^③	V5055E1013	2-1/2	3730	120/60	15	on-off	11.5-27.5	yes	
H118AK122F1F26V16	V4055E1024 ^{③⑥}	V5055E1013	2-1/2	3910	120/60 110/50	15	on-off	11-24	yes	With auxiliary switch.
H118AL122F26V16	V4055E1024 ^③	V5055E1021	3	5450	120/60	15	on-off	13-31	yes	
H118AL122F1F26V16	V4055E1016 ^{②⑥}	V5055E1021	3	6400	120/60 110/50	15	on-off	12-28	yes	With auxiliary switch.
H118AH132F1F26V16 ^⑤	None		4	10,200	120/60 110/50	15	on-off	12-18	yes	With auxiliary switch.

See Footnotes on page 108.

FOOTNOTES:

- ① In some cases, the device to be replaced may have additional options such as auxiliary switch(es), damper shaft, weatherproof enclosure, etc. Reference V4055/V5055 Cross Reference in this section for closest replacement.
- ② Replacement opening time is 13 seconds.
- ③ Replacement opening time is 26 seconds.
- ④ Replacement combination maximum operating pressure differential is 25 psi.
- ⑤ Flanged connection.
- ⑥ Underwriters Laboratories Inc. requires and insurance companies recommend 120V/60 Hz with "proof-of-closure" function.
- ⑦ Capacities indicated are for 0.64 specific gravity gas with a one inch w.c. pressure drop across the valve.

ITT GENERAL HIGH PRESSURE INDUSTRIAL GAS VALVE CROSS REFERENCE.

Device to be Replaced ①	Current Replacements		Specifications of the Device to be Replaced							Comments
	V4055 Actuator	V5097 Gas Valve, Adapter Plate	Valve Size (in.)	Capacity (cfh) ⑥	Voltage/Frequency	Maximum Operating Pressure Differential (psi)	Type	Opening Time (seconds)	Valve Seal Overtravel Interlock	
H118AF122	V4055B1039 ②④	V5097D1008, 32000109-002	1	960	120/60	35	on-off	7.5 - 17.5	no	
H118AF122F1	V4055B1039 ②④	V5097D1008, 32000109-002	1	960	120/60 110/50	35	on-off	6 - 14	no	With auxiliary switch.
H118AG122	V4055B1039 ②④	V5097D1008, 32000109-003	1-1/4	1210	120/60	35	on-off	7.5 - 17.5	no	
H118AG122F1	V4055B1039 ②④	V5097D1008, 32000109-003	1-1/4	1210	120/60 110/50	35	on-off	7 - 16	no	With auxiliary switch.
H118AH122	V4055B1021 ③	V5097D1008, 32000109-004	1-1/2	1525	120/60	25	on-off	8.5 - 19.5	no	
H118AH122F1	V4055B1021 ③	V5097D1008, 32000109-004	1-1/2	1600	120/60 110/50	25	on-off	8 - 18	no	With auxiliary switch.
H118AJ122	V4055B1021 ③	V5097D1016, 32001605-001	2	3300	120/60	15	on-off	10.0 - 23.5	no	
H118AJ122F1	V4055B1021 ③	V5097D1016, 32001605-001	2	3460	120/60 110/50	15	on-off	9 - 21	no	With auxiliary switch.
H118AK122	V4055B1021 ③	V5097D1016, 32001605-002	2-1/2	3730	120/60	15	on-off	11.5 - 27.5	no	
H118AK122F1	V4055B1021 ③	V5097D1016, 32001605-002	2-1/2	3910	120/60 110/50	5 1	on-off	11 - 24	no	With auxiliary switch.
H118AL122	V4055B1021 ③	V5097D1016, 32001605-003	3	6095	120/60	15	on-off	13 - 31	no	
H118AL122F1	V4055B1021 ③	V5097D1016, 32001605-003	3	6400	120/60 110/50	15	on-off	12 - 28	no	With auxiliary switch.
H118AF122F26V16	V4055E1016 ②④	V5097E1005, 32000109-002	1	650	120/60	35	on-off	7.5 - 17.5	yes	
H118AG122F26V16	V4055E1016 ②④	V5097E1005, 32000109-003	1-1/4	1115	120/60	35	on-off	7.5 - 17.5	yes	
H118AH122F26V16	V4055E1024 ③	V5097E1005, 32000109-004	1-1/2	1525	120/60	25	on-off	8.5 - 19.5	yes	
H118AJ122F26V16	V4055E1024 ③	V5097E1013, 32001605-001	2	2750	120/60	15	on-off	10.0 - 23.5	yes	
H118AJ122F1F26V16	V4055E1024 ③⑤	V5097E1013, 32001605-001	2	3460	120/60 110/50	15	on-off	9 - 24	yes	With auxiliary switch.
H118AK122F26V16	V4055E1024 ③	V5097E1013, 32001605-002	2-1/2	3730	120/60	15	on-off	11.5 - 27.5	yes	

ITT GENERAL HIGH PRESSURE INDUSTRIAL GAS VALVE CROSS REFERENCE (Continued).

Device to be Replaced ①	Current Replacements		Specifications of the Device to be Replaced							Comments
	V4055 Actuator	V5097 Gas Valve, Adapter Plate	Valve Size (in.)	Capacity (cfh) ⑥	Voltage/Frequency	Maximum Operating Pressure Differential (psi)	Type	Opening Time (seconds)	Valve Seal Overtravel Interlock	
H118AK122F1F26V16	V4055E1024 ③⑤	V5097E1013, 32001605-002	2-1/2	3910	120/60 110/50	15	on-off	11 - 24	yes	With auxiliary switch.
H118AL122F26V16	V4055E1024 ③	V5097E1013, 32001605-003	3	5450	120/60	15	on-off	13 - 31	yes	
H118AL122F1F26V16	V4055E1024 ②⑤	V5097E1013, 32001605-003	3	6400	120/60 100/50	15	on-off	12 - 28	yes	With auxiliary switch.

FOOTNOTES:

- ① In some cases, the device to be replaced may have additional options such as auxiliary switch(es), damper shaft, weatherproof enclosure, etc. Reference V4055/V5097 Cross Reference in this section for closest replacement.
- ② Replacement opening time is 13 seconds.
- ③ Replacement opening time is 26 seconds.
- ④ Replacement combination maximum operating pressure differential is 25 psi.
- ⑤ Underwriters Laboratories Inc. requires and insurance companies recommend 120V/60 Hz with "proof-of-closure" function.
- ⑥ Capacities indicated are for 0.64 specific gravity gas with a one inch w.c. pressure drop across the valve.

ITT GENERAL HOV SERIES GAS VALVES.

Device to be Replaced	Current Replacement Actuator Plus Valve		Specifications of the Device to be Replaced				Comments
			Voltage/Frequency	Timing (sec)	Valve Size (in.)	Valve Type	
HOV1A230	None	V5055A1038	24/60	30	2	On-Off ↓	
HOV1A232	V4055A1064 (1)	V5055A1038	120/60	30	2		
HOV1A233	V4055A1080 (1)	V5055A1038	240/60	30	2		
HOV1A235	None	V5055A1046	24/60	30	2-1/2		
HOV1A237	V4055A1064 (1)	V5055A1046	120/60	30	2-1/2		
HOV1A238	V4055A1080 (1)	V5055A1046	240/60	30	2-1/2		
HOV1A240	None	V5055A1053	24/60	30	3		
HOV1A242	V4055A1064 (1)	V5055A1053	120/60	30	3		
HOV1A243	V4055A1080 (1)	V5055A1053	240/60	30	3		
HOV1A247	V4055A1098 (2)	V5055A1343	120/60	15	3/4		
HOV1A248	V4055A1080 (1)	V5055A1343	240/60	30	3/4		
HOV1A252	V4055A1098 (2)	V5055A1004	120/60	15	1		
HOV1A253	V4055A1080 (1)	V5055A1004	240/60	30	1		
HOV1A257	V4055A1098 (2)	V5055A1012	120/60	15	1-1/4		
HOV1A258	V4055A1080 (1)	V5055A1012	240/60	30	1-1/4		
HOV1A262	V4055A1098 (2)	V5055A1020	120/60	15	1-1/2		
HOV1A263	V4055A1080 (1)	V5055A1020	240/60	30	1-1/2		
HOV1A267	V4055A1098 (2)	V5055A1038	120/60	15	2		
HOV1A268	V4055A1080 (1)	V5055A1038	240/60	30	2		
HOV1A272	V4055A1098 (2)	V5055A1046	120/60	15	2-1/2		
HOV1A273	V4055A1080 (1)	V5055A1046	240/60	30	2-1/2		
HOV1A277	V4055A1098 (2)	V5055A1053	120/60	15	3		
HOV1A278	V4055A1080 (1)	V5055A1053	240/60	30	3		
HOV1A326	None	V5055A1343	24/60	30	3/4		
HOV1A328	V4055A1064 (1)	V5055A1343	120/60	30	3/4		
HOV1A329	V4055A1080 (1)	V5055A1343	240/60	30	3/4		
HOV1A330	None	V5055A1004	24/60	30	1		
HOV1A332	V4055A1064 (1)	V5055A1004	120/60	30	1		
HOV1A333	V4055A1080 (1)	V5055A1004	240/60	30	1		
HOV1A334	None	V5055A1012	24/60	30	1-1/4		
HOV1A336	V4055A1064 (1)	V5055A1012	120/60	30	1-1/4		
HOV1A337	V4055A1080 (1)	V5055A1012	240/60	30	1-1/4		
HOV1A338	None	V5055A1020	24/60	30	1-1/2		

See Footnotes on page 112.

ITT GENERAL HOV SERIES GAS VALVES (Continued).

Device to be Replaced	Current Replacement Actuator Plus Valve		Specifications of the Device to be Replaced				Comments
			Voltage/Frequency	Timing (sec)	Valve Size (in.)	Valve Type	
HOV1A340	V4055A1064 (1)	V5055A1020	120/60	30	1-1/2	On-Off	
HOV1A341	V4055A1080 (1)	V5055A1020	240/60	30	1-1/2	On-Off	
HOV1J247	V4062A1008 (1)	V505501234	120/60	20	3/4	Hi-Lo-Off ↓	
HOV1J248	None	V5055B1234	240/60	20	3/4		
HOV1J252	V4062A1008 (1)	V5055B1002	120/60	20	1		
HOV1J253	None	V5055B1002	240/60	20	1		
HOV1J257	V4062A1008 (1)	V5055B1010	120/60	20	1-1/4		
HOV1J258	None	V5055B1010	240/60	20	1-1/4		
HOV1J262	V4062A1008 (1)	V5055B1028	120/60	20	1-1/2		
HOV1J263	None	V5055B1028	240/60	20	1-1/2		
HOV1J267	V4062A1008 (1)	V5055B1069	120/60	20	2		
HOV1J268	None	V5055B1069	240/60	20	2		
HOV1J272	V4062A1008 (1)	V5055B1077	120/60	20	2-1/2		
HOV1J273	None	V5055B1077	240/60	20	2-1/2		
HOV1J277	V4062A1008 (1)	V5055B1085	120/60	20	3		
HOV1J278	None	V5055B1085	240/60	20	3		

FOOTNOTES:

- (1) Full opening time is 26 seconds.
- (2) Full opening time is 13 seconds.

Device to be Replaced	Current Replacement Actuator Plus Valve and Pipe Adapter		Specifications of the Device to be Replaced				Comments
			Voltage/Frequency	Timing (seconds)	Size (in.)	Valve Type	
HOV1A230	None	V5097A1012, 32001605-001	24/60	30	2	On-off	
HOV1A232	V4055A1064 ①	V5097A1012, 32001605-001	120/60	30	2	On-off	
HOV1A233	V4055A1080 ①	V5097A1012, 32001605-001	240/60	30	2	On-off	
HOV1A235	None	V5097A1012, 32001605-002	24/60	30	2-1/2	On-off	
HOV1A237	V4055A1064 ①	V5097A1012, 32001605-002	120/60	30	2-1/2	On-off	
HOV1A238	V4055A1080 ①	V5097A1012, 32001605-002	240/60	30	2-1/2	On-off	
HOV1A240	None	V5097A1012, 32001605-003	24/60	30	3	On-off	
HOV1A242	V4055A1064 ①	V5097A1012, 32001605-003	120/60	30	3	On-off	
HOV1A243	V4055A1080 ①	V5097A1012, 32001605-003	240/60	30	3	On-off	
HOV1A247	V4055A1098 ②	V5097A1004, 32000109-001	120/60	15	3/4	On-off	
HOV1A248	V4055A1080 ①	V5097A1004, 32000109-001	240/60	30	3/4	On-off	
HOV1A252	V4055A1098 ②	V5097A1004, 32000109-002	120/60	15	1	On-off	
HOV1A253	V4055A1080 ①	V5097A1004, 32000109-002	240/60	30	1	On-off	
HOV1A257	V4055A1098 ②	V5097A1004, 32000109-003	120/60	15	1-1/4	On-off	
HOV1A258	V4055A1080 ①	V5097A1004, 32000109-003	240/60	30	1-1/4	On-off	
HOV1A262	V4055A1098 ②	V5097A1004, 32000109-004	120/60	15	1-1/2	On-off	
HOV1A263	V4055A1080 ①	V5097A1004,32000109-004	240/60	30	1-1/2	On-off	
HOV1A267	V4055A1098 ②	V5097A1012,32001605-001	120/60	15	2	On-off	
HOV1A268	V4055A1080 ①	V5097A1012,32001605-001	240/60	30	2	On-off	
HOV1A272	V4055A1098 ②	V5097A1012,32001605-002	120/60	15	2-1/2	On-off	
HOV1A273	V4055A1080 ①	V5097A1012,32001605-002	240/60	30	2-1/2	On-off	
HOV1A277	V4055A1098 ②	V5097A1012,32001605-003	120/60	15	3	On-off	
HOV1A278	V4055A1080 ①	V5097A1012,32001605-003	240/60	30	3	On-off	
HOV1A326	None	V5097A1004,32000109-001	24/60	30	3/4	On-off	
HOV1A328	V4055A1064 ①	V5097A1004,32000109-001	120/60	30	3/4	On-off	
HOV1A329	V4055A1080 ①	V5097A1004,32000109-001	240/60	30	3/4	On-off	
HOV1A330	None	V5097A1004,32000109-002	24/60	30	1	On-off	
HOV1A332	V4055A1064 ①	V5097A1004,32000109-002	120/60	30	1	On-off	
HOV1A333	V4055A1080 ①	V5097A1004,32000109-002	240/60	30	1	On-off	
HOV1A334	None	V5097A1004,32000109-003	24/60	30	1-1/4	On-off	
HOV1A336	V4055A1064 ①	V5097A1004,32000109-003	120/60	30	1-1/4	On-off	
HOV1A337	V4055A1080 ①	V5097A1004,32000109-003	240/60	30	1-1/4	On-off	

ITT GENERAL HOV SERIES GAS VALVES (Continued).

Device to be Replaced	Current Replacement Actuator Plus Valve and Pipe Adapter		Specifications of the Device to be Replaced				Comments
			Voltage/Frequency	Timing (seconds)	Size (in.)	Valve Type	
HOV1A338	None	V5097A1004,32000109-004	24/60	30	1-1/2	On-off	
HOV1A340	V4055A1064 ①	V5097A1004,32000109-004	120/60	30	1-1/2	On-off	
HOV1A341	V4055A1080 ①	V5097A1004,32000109-004	240/60	30	1-1/2	On-off	
HOV1J247	V4062A1008 ①	V5097B1002,32000109-001	120/60	20	3/4	Hi-Lo-Off	
HOV1J248	None	V5097B1002,32000109-001	240/60	20	3/4	Hi-Lo-Off	
HOV1J252	V4062A1008 ①	V5097B1002,32000109-002	120/60	20	1	Hi-Lo-Off	
HOV1J253	None	V5097B1002,32000109-002	240/60	20	1	Hi-Lo-Off	
HOV1J257	V4062A1008 ①	V5097B1002,32000109-003	120/60	20	1-1/4	Hi-Lo-Off	
HOV1J258	None	V5097B1002,32000109-003	240/60	20	1-1/4	Hi-Lo-Off	
HOV1J262	V4062A1008 ①	V5097B1002,32000109-004	120/60	20	1-1/2	Hi-Lo-Off	
HOV1J263	None	V5097B1002,32000109-004	240/60	20	1-1/2	Hi-Lo-Off	
HOV1J267	V4062A1008 ①	V5097B1010,32001605-001	120/60	20	2	Hi-Lo-Off	
HOV1J268	None	V5097B1010,32001605-001	240/60	20	2	Hi-Lo-Off	
HOV1J272	V4062A1008 ①	V5097B1010,32001605-002	120/60	20	2-1/2	Hi-Lo-Off	
HOV1J273	None	V5097B1010,32001605-002	240/60	20	2-1/2	Hi-Lo-Off	
HOV1J277	V4062A1008 ①	V5097B1010,32001605-003	120/60	20	3	Hi-Lo-Off	
HOV1J278	None	V5097B1010,32001605-003	240/60	20	3	Hi-Lo-Off	

FOOTNOTES:

- ① Full opening time is 26 seconds.
- ② Full opening time is 13 seconds.

ITT GENERAL K3 SOLENOID VALVES.

Device to be Replaced	Current Replacement ^①	Specifications of the Device to be Replaced				Comments
		Valve Size (in.)	Voltage/Frequency	Maximum Operating Pressure (psi)	Capacity (cf/h)	
K3R12A2	V4046C1047	1/4	120/60	10	65	
K3R12B2	V4046C1047	1/4	120/60, 110/50	10	65	
K3R13A2	V4046C1054	3/8	120/60	10	65	
K3R13A4	None	3/8	240/60	10	65	
K3R13B2	V4046C1054	3/8	120/60, 110/50	10	65	
K3R13B4	None	3/8	240/60, 220/50	10	65	
K3R12A1	V8046C1022	1/4	24/60	10	65	
K3R12B1	V8046C1022	1/4	24/60	10	65	
K3R13A1	V8046C1030	3/8	24/60	10	65	
K3R13B1	V8046C1030	3/8	24/60	10	65	

FOOTNOTES:

^① Perform pilot turndown test if valve is used as pilot valve.

ITT GENERAL V710 GAS VALVES. ⑦

Device to be Replaced	Current Replacement ①	Specifications of the Device to be Replaced				Comments
		Pipe Size (in.)	Valve Type	Capacity (cf/h) ②	Maximum Operating Pressure Differential (psi)	
V710EAS	V5055A1343 (6)(8)	3/4	on-off ↓	665	15	(4)(5)
V710FAS	V5055A1004 (6)(8)	1		960	15	(4)(5)
V710GAS	V5055A1012 (6)(8)	1-1/4		1406	15	(4)(5)
V710HAS	V5055A1020 (6)(8)	1-1/2		1717	15	(4)(5)
V710JAS	V5055A1038 (6)(8)	2		3620	10	(4)(5)
V710KAS	V5055A1046 (6)(8)	2-1/2		4250	10	(4)(5)
V710LAS	V5055A1053 (6)(8)	3		5230	10	(4)(5)
V710EES	V5055A1343	3/4	on-off ↓	665	5.0 ↓	(3) ↓
V710FES	V5055A1004	1		960		
V710GES	V5055A1012	1-1/4		1406		
V710HES	V5055A1020	1-1/2		1717		
V710JES	V5055A1038	2		3620		
V710KES	V5055A1046	2-1/2		4250		
V710LES	V5055A1053	3		5230		
V710EESV15	V5055B1234	3/4	Parabolic guide ↓	665	5.0 ↓	(3) ↓
V710FESV15	V5055B1002	1		960		
V710GESV15	V5055B1010	1-1/4		1406		
V710HESV15	V5055B1028	1-1/2		1717		
V710JESV15	V5055B1069	2		3620		
V710KESV15	V5055B1077	2-1/2		4250		
V710LESV15	V5055B1085	3		5230		
V710EESV20	V5055B1234	3/4	Linear guide ↓	665	5.0 ↓	(3) ↓
V710FESV20	V5055B1002	1		960		
V710GESV20	V5055B1010	1-1/4		1406		
V710EESV22	V5055C1182	3/4	With valve seal overtravel ↓	665	5.0 ↓	(3) ↓
V710FESV22	V5055C1034	1		960		
V710GESV22	V5055C1042	1-1/4		1406		

See Footnotes on page 117.

ITT GENERAL V710 GAS VALVES (Continued).

Device to be Replaced	Current Replacement ^①	Specifications of the Device to be Replaced				Comments
		Valve Size (in.)	Valve Type	Capacity (cf/h) ^②	Maximum Operating Pressure Differential (psi)	
V710HESV22	V5055C1059	1-1/2	With valve seal overtravel ↓	1717	5.0 ↓	③ ↓
V710JESV22	V5055C1000	2		3620		
V710KESV22	V5055C1018	2-1/2		4250		
V710LESV22	V5055C1026	3-1/2		5230		
VB710EESV17	V5055C1182	3/4	With valve seal overtravel ↓	665	5.0 ↓	③ ↓
VB710FESV17	V5055C1034	1		960		
VB710GESV17	V5055C1042	1-1/4		1406		
VB710HESV17	V5055C1059	1-1/2		1717		
VB710JESV17	V5055C1000	2		3630		
VB710KESV17	V5055C1018	2-1/2		4250		
VB710LESV17	V5055C1026	3		5230		

FOOTNOTES:

- ① The ITT General Actuator must also be replaced with the appropriate Honeywell V4055 Fluid Power Actuator. Reference V4055 cross reference in this section.
- ② Valve capacity is based on gas with 0.64 specific gravity at one inch water column pressure drop.
- ③ In some cases, the device to be replaced may have additional options such as upstream and downstream plugged pressure taps. Reference V5055 cross reference in this section for closest replacement.
- ④ "V15" added to catalog number indicates valve has parabolic guide.
- ⑤ "V22" added to catalog number indicates standard guide with valve seal overtravel interlock.
- ⑥ Replacements have one 1/4 inch NPT downstream tap and one 1/4 inch NPT upstream tap.
- ⑦ Used with ITT General AH Series Gas Valve Actuators.
- ⑧ Use appropriate V4055B or E Gas Valve Actuator.

ITT GENERAL V710 GAS VALVES.

Device to be Replaced	Specifications of the Device to be Replaced					Comments
	Current Replacement ^②	Pipe Size (in.)	Valve Type	Capacity (cfh) ^③	Maximum Pressure Differential (psi)	
V710EAS	V5097A1004, 32000109-001 ^④ ^⑤	3/4	On-off	665	15	⑥ ⑦ ↓
V710FAS	V5097A1004, 32000109-002 ^④ ^⑤	1	On-off	960	15	
V710GAS	V5097A1004, 32000109-003 ^④ ^⑤	1-1/4	On-off	1406	15	
V710HAS	V5097A1004, 32000109-004 ^④ ^⑤	1-1/2	On-off	1717	15	
V710JAS	V5097A1012, 32001605-001 ^④ ^⑤	2	On-off	3620	10	
V710KAS	V5097A1012, 32001605-002 ^④ ^⑤	2-1/2	On-off	4250	10	
V710LAS	V5097A1012, 32001605-003 ^④ ^⑤	3	On-off	5230	10	
V710EES	V5097A1004, 32000109-001	3/4	On-off	665	5.0	⑧ ↓
V710FES	V5097A1004, 32000109-002	1	On-off	960	5.0	
V710GES	V5097A1004, 32000109-003	1-1/4	On-off	1406	5.0	
V710HES	V5097A1004, 32000109-004	1-1/2	On-off	1717	5.0	
V710JES	V5097A1012, 32001605-001	2	On-off	3620	5.0	
V710KES	V5097A1012, 32001605-002	2-1/2	On-off	4250	5.0	
V710LES	V5097A1012, 32001605-003	3	On-off	5230	5.0	
V710EESV15	V5097B1002, 32000109-001	3/4	Parabolic guide	665	5.0	⑧ ↓
V710FESV15	V5097B1002, 32000109-002	1	Parabolic guide	960	5.0	
V710GESV15	V5097B1002, 32000109-003	1-1/4	Parabolic guide	1406	5.0	
V710HESV15	V5097B1002, 32000109-004	1-1/2	Parabolic guide	1717	5.0	
V710JESV15	V5097B1010, 32001605-001	2	Parabolic guide	3620	5.0	
V710KESV15	V5097B1010, 32001605-002	2-1/2	Parabolic guide	4250	5.0	
V710LESV15	V5097B1010, 32001605-003	3	Parabolic guide	5230	5.0	
V710EESV20	V5097B1002, 32000109-001	3/4	Linear guide	665	5.0	⑧ ↓
V710FESV20	V5097B1002, 32000109-002	1	Linear guide	960	5.0	
V710GESV20	V5097B1002, 32000109-003	1-1/4	Linear guide	1406	5.0	
V710EESV22	V5097C1000, 32000109-001	3/4	With valve seal overtravel	665	5.0	⑧ ↓
V710FESV22	V5097C1000, 32000109-002	1	With valve seal overtravel	960	5.0	
V710GESV22	V5097C1000, 32000109-003	1-1/4	With valve seal overtravel	1406	5.0	
V710HESV22	V5097C1000, 32000109-004	1-1/2	With valve seal overtravel	1717	5.0	

See Footnotes on page 119.

ITT GENERAL V710 GAS VALVES (Continued).

Device to be Replaced	Specifications of the Device to be Replaced					Comments
	Current Replacement ^②	Pipe Size (in.)	Valve Type	Capacity (cfh) ^③	Maximum Pressure Differential (psi)	
V710JESV22	V5097C1018, 32001605-001	2	With valve seal overtravel	3620	5.0	⑧ ↓
V710KESV22	V5097C1018, 32001605-002	2-1/2	With valve seal overtravel	4250	5.0	
V710LESV22	V5097C1018, 32001605-003	3	With valve seal overtravel	5230	5.0	
VB710EESV17	V5097C1000, 32000109-001	3/4	With valve seal overtravel	665	5.0	⑧ ↓
VB710FESV17	V5097C1000, 32000109-002	1	With valve seal overtravel	960	5.0	
VB710GESV17	V5097C1000, 32000109-003	1-1/4	With valve seal overtravel	1406	5.0	
VB710HESV17	V5097C1000, 32000109-004	1-1/2	With valve seal overtravel	1717	5.0	
VB710JESV17	V5097C1018, 32001605-001	2	With valve seal overtravel	3630	5.0	
VB710KESV17	V5097C1018, 32001605-002	2-1/2	With valve seal overtravel	4250	5.0	
VB710LESV17	V5097C1018, 32001605-003	3	With valve seal overtravel	5230	5.0	

FOOTNOTES:

- ① Used with ITT General AH Series Gas Valve Actuators.
- ② The ITT General Actuator must also be replaced with the appropriate Honeywell V4055 Fluid Power Actuator. Reference V4055 cross reference this section.
- ③ Valve capacity is based on gas with 0.64 specific gravity at one inch water column pressure drop.
- ④ Replacements have one 1/4 inch NPT downstream tap and one 1/4 inch NPT upstream tap.
- ⑤ Use appropriate V4055B or E Gas Valve Actuator.
- ⑥ "V15" added to catalog number indicates valve has parabolic guide.
- ⑦ "V22" added to catalog number indicates standard guide with valve seal overtravel interlock.
- ⑧ In some cases, the device to be replaced may have additional options such as upstream and downstream plugged pressure taps. Reference V5097 cross reference this section for closest replacement.

WHITE-RODGERS DIAPHRAGM VALVE CROSS REFERENCE.

Device to be Replaced	Current Replacement	Specifications of the Device to be Replaced				Comments
		Valve Size (in.)	Capacity (cf/h) ^①	Voltage/Frequency	OPR Pressure (psi)	
26A02-204	None	1/2	330	24/60	0.5	
26A02-206	V88A1659	3/4	485	24/60	0.5	
26A02-208	V88A1618	1	752	24/60	0.5	
26A05-256	V88A1659	3/4	485	24/60	0.5	
26A05-258	V88A1618	1	752	24/60	0.5	
2634-103	V88A1626	1-1/4	1407	24/60	0.5	
2634-104	V88A1634	1-1/2	1715	24/60	0.5	
2634-105	V88A1709	2	3977	24/60	0.5	
2634-106	V88A1717	2-1/2	4599	24/60	0.5	
2634A-103	V48A2177	1-1/4	1407	120/60	0.5	
2634A-104	V48A2185	1-1/2	1715	120/60	0.5	
2634A-105	V48A2243	2	3977	120/60	0.5	
2634A-106	V48A2250	2-1/2	4599	120/60	0.5	
2647-103	V88A1626 ^②	1-1/4	1990	24/60	0.5	
2647-104	V88A1634 ^②	1-1/2	2290	24/60	0.5	
2647-105	V88A1709 ^②	2		24/60	0.5	
2647-106	V88A1717 ^②	2-1/2		24/60	0.5	

FOOTNOTES:

- ① Capacities indicated are for 0.64 specific gravity gas with a one inch w.c. pressure drop across the valve.
- ② Order part number 126590, Adjustable Bleed Valve, separately if it is needed.

Honeywell



Printed in U.S.A. on recycled paper containing at least 10% post-consumer paper fibers.