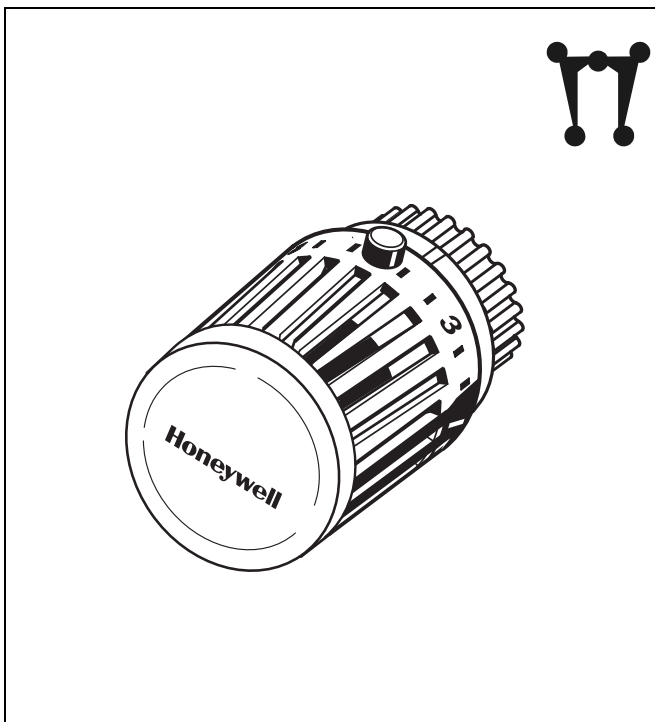


T1000 Series Thera-100 RADIATOR THERMOSTATS

PRODUCT DATA



Design

The radiator thermostat consists of:

- Handwheel with lid, socket and red economy button
- Honeywell HW M30 x 1.5 connection and 11.5 mm closing dimension
- Sensor with support cage
- Wax sensor
- Spindle assembly
- Connection nut

Materials

- Handwheel socket and lid made of plastic, white to RAL9016
- Economy button made of red plastic
- Socket, support cage and spindle assembly made of plastic
- Sensor filled with wax
- Connection nut made of nickel-plated brass

Application

A Radiator Thermostat is installed onto a Thermostatic Radiator Valve Body (TRV body). The combination of both, the Thermostatic Radiator Valve (TRV), controls the room temperature by adjusting the flow of hot water through a radiator.

TRVs are installed in water-based heating systems on the supply or, less commonly on the return connection of radiators. Radiator thermostats of this type fulfill the European Standard EN 215 when used with certified Honeywell TRV bodies.

Honeywell radiator thermostats with Honeywell (HW) M30 x 1.5 connection are suitable for all TRV body and radiator inserts with M30 x 1.5 connection and 11.5 mm closing dimension.

Features

- **Conforms with M30 x 1.5 connection to European standard EN 215**
- **Equipped with wax sensor**
- **Over-temperature protection**
- **Modern, ergonomical design with red economy button for optimal setting**
- **Compact size**

Specifications

Thermostat connection M30 x 1.5

Setpoint range 0 - * - 1..6

Temperature range 1...26°C (34...79°F)

Closing dimension 11.5 mm

Function

Radiator thermostats of this type control the TRV body. The air passing around the sensor of the radiator thermostat causes the sensor to expand when the temperature rises. The expanding sensor closes the TRV accordingly. When the room temperature changes the TRV opens or closes proportionally. Only the amount of water required to maintain the room temperature set on the radiator thermostat is allowed to flow through the valve.

Dimensions and Ordering Information

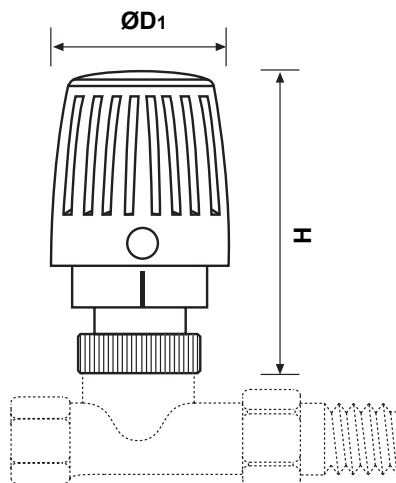


Fig. 1. Dimensions

Table 1. Dimensions

Type	H closed	H open	ØD ₁
Thera-100	76.8	82.5	50

NOTE: All dimensions in mm unless stated otherwise.

Table 2. Available versions and OS-Nos (OS=Ordering Specification)

Type	EN215 certification	Connection	OS-No.
Thera-100	•	M30 x 1.5	T1002W0
	•	M30 x 1.5	T1002W0GB

EN215 Information

All radiator thermostats of this type with M30x1.5 connection in connection with certified Honeywell TRV bodies conform to the European Standard EN215.

Table 3. Comparison of radiator thermostats of this type specs and EN 215 requirements

	Thera-100 with wax sensor	EN215 requirements
Min. setpoint temperature	6°C (43°F)	5...12°C (41...54°F)
Max. setpoint temperature	26°C (79°F)	≤ 32°C (90°F)
Hysteresis	0.8	≤ 1.0K
Influence of differential pressure	0.7	≤ 1.0K
Influence of static pressure	0.8	≤ 1.0K
Influence of heating medium	0.7	≤ 1.5K
Response time	20 min.	≤ 40 min.

NOTE: All °C- and °F-values specified at ideal incident flow. This can differ from stated values depending on installation position and air flow.

NOTE: Influence of differential pressure depends on TRV body used.

Setpoint

Table 4. Setpoint temperature

Setpoint	0	*	1	2	3	4	5	6
°C	1	6	11	14	17	20	23	26
°F	34	43	52	57	63	68	73	79

NOTE: All °C and °F-values approximate. Heating can freeze when radiator thermostats with zero-position are set at position '0'. Zero-position is also thermostatically controlled - when temperature falls the TRV may open.

Installation Examples

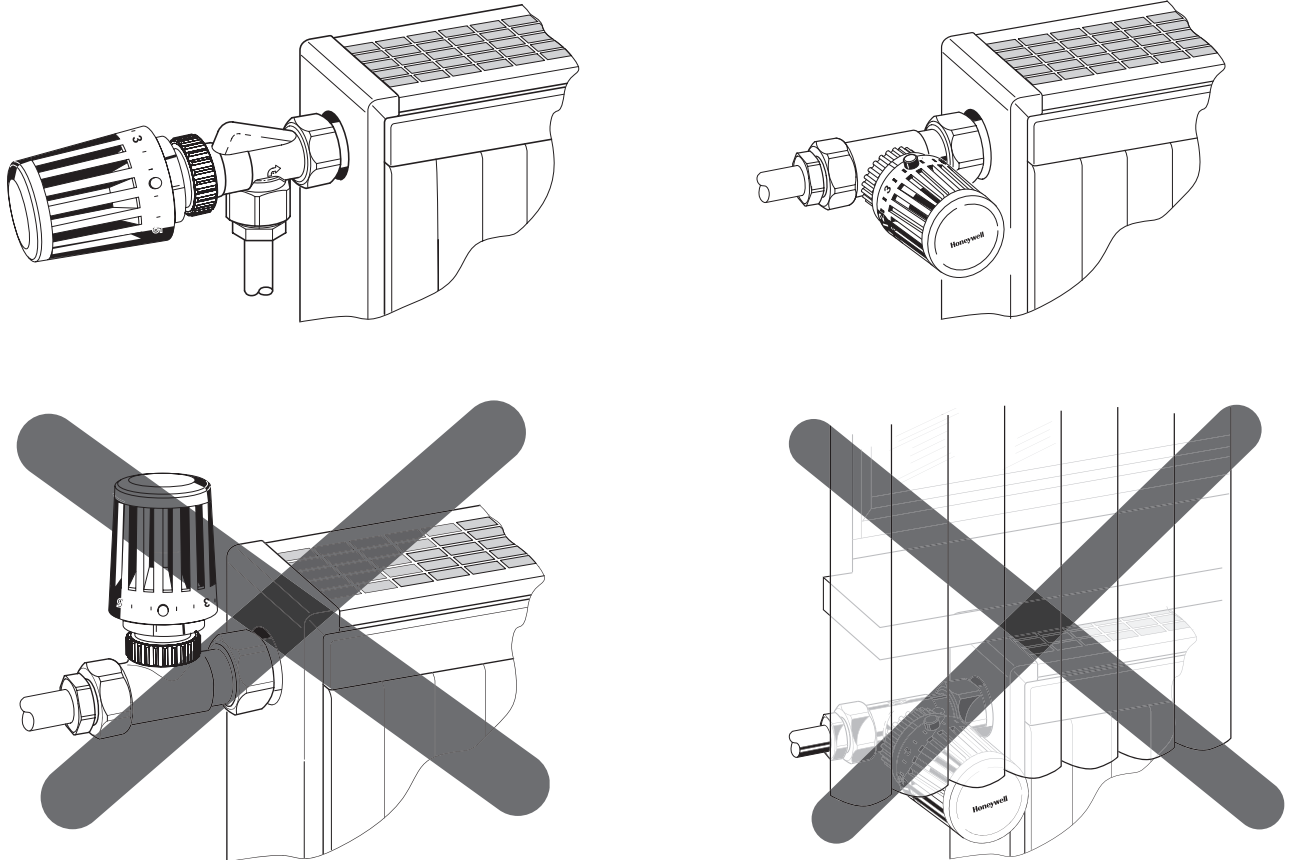


Fig. 2. Correct and false installation positions

Please Note:

- To avoid stone deposit and corrosion the composition of the medium should conform with VDI-Guideline 2035
- Additives have to be suitable for EPDM sealings
- System has to be flushed thoroughly before initial operation with all valves fully open
- Any complaints or costs resulting from non-compliance with above rules will not be accepted by Honeywell
- Please contact us if you should have any special requirements or needs

Accessories

Special tool for assembly of radiator thermostats



VA8210A001

Adapter



DA-Adapter from Danfoss snap connection RA to M30 x 1.5

TA1010DA01

Adapter



HZ-Adapter from M28 x 1.5 with 9.5 mm closing dimension to M30 x 1.5 with 11.5 mm closing dimension

TA1010HZ01

Environmental and Combustion Control

Honeywell GmbH

Hardhofweg

74821 Mosbach, Germany

Phone: +49 (6261) 810

Fax: +49 (6261) 81393

www.honeywell.com

EN0H-2018GE23 R0109
January 2009

© 2009 Honeywell International Inc.
Subject to change without notice

Manufactured for and on behalf of the Environmental and Combustion
Controls Division of Honeywell Technologies Sàrl, Rolle, Z.A. La
Pièce 16, Switzerland or its authorized representative.

Honeywell