

Accessories

FOR DIRECT COUPLED ACTUATORS

ACCESSORIES

Compatibility Chart		SPRING RETURN							NON-SPRING RETURN						
		MSxx03A, MSxx05A*	MSxx10A	MSxx20A	MLxx75	MLxx85	MLxx95	ML41x5, ML81x5	MSxx09F	MSxx20F	MLxx61, MLxx74	MNxx05, MNxx10	MNxx20A	MNxx34A	MLxx84
ACTUATOR ACCESSORIES															
Control, Positioning, Feedback															
SW2-US	Auxiliary Switch (2 SPDT)		•	•								•	•	•	
32003532-005	High Temperature Auxiliary Switch (2 SPDT)						•	•							
200976C	Feedback Potentiometer (2000 ohm)									•					
200976A	Feedback Potentiometer (500 ohm)									•					
205860	Minimum Position Potentiometer	•	•	•	•	•	•			•	•	•	•	•	•
32006306-001	Resistor Kit (500 ohm); converts 4-20 mA signal to 2-10 Vdc	•	•	•	•	•	•			•				•	•
Q7002B1009	Universal Interface Module (Enclosed)	•	•	•	•	•				•	•	•	•	•	•
Mounting															
32007205-001	Actuator Mounting Plate	•	•	•	•	•	•	•	•	•	•	•	•	•	•
32007205-002	Damper Blade Drive Lever (<24 in.)	•	•	•	•	•	•	•	•	•	•	•	•	•	•
32007205-003	Damper Blade Drive Lever (>24 in.)	•	•	•	•	•	•	•	•	•	•	•	•	•	•
32007205-004	Damper External Drive Pin Clip	•	•	•	•	•	•	•	•	•	•	•	•	•	•
32007205-005	Damper External Drive Pin Kit	•	•	•	•	•	•	•	•	•	•	•	•	•	•
32007205-008	Damper Axle Coupler	•	•	•	•	•	•	•	•	•	•	•	•	•	•
32007205-009	Crank Arm (1 in.)	•	•	•	•	•	•	•	•	•	•	•	•	•	•
50001194-001	Foot Mounting Kit	•	•	•	•	•					•	•	•	•	•
205649	Mounting Bracket						•	•	•						
205784	Mounting Bracket				•	•									
50006427-001	Flexible Anti-rotation Bracket		•	•					•			•	•		
50000407-001	Tandem Mounting Kit		•	•								•	•		
STRN-BRKT	Anti-rotation Bracket	•													
STRN-CRK-01	Crank Arm Kit	•													
STRN-ECONO-01	Economizer Retrofit Kit	•													
STRN-WMK-01	Wall Mount Kit	•													
Rotation Limiters, Position Indicators															
4074ENJ	Stroke Stop/Minimum Position Kit									•					
4074ENY	Stroke Stop Kit									•					



Compatibility Chart		SPRING RETURN							NON-SPRING RETURN						
		MSxx03A, MSxx05A*	MSxx10A	MSxx20A	MLxx75	MLxx85	MLxx95	ML41x5, ML81x5	MSxx09F	MSxx20F	MLxx61, MLxx74	MNxx05, MNxx10	MNxx20A	MNxx34A	MLxx84
ACTUATOR ACCESSORIES															
Ball Joints, Push Rods															
103598	Ball Joint (1/4 in.)	•	•	•	•	•	•	•	•	•	•	•	•	•	•
27518	Ball Joint (5/16 in.)	•	•	•	•	•	•	•	•	•	•	•	•	•	•
27520Q	Push Rod (5/16 in. dia., 8 in. length)	•	•	•	•	•	•	•	•	•	•	•	•	•	•
27520B	Push Rod (5/16 in. dia., 10 in. length)	•	•	•	•	•	•	•	•	•	•	•	•	•	•
27520C	Push Rod (5/16 in. dia., 12 in. length)	•	•	•	•	•	•	•	•	•	•	•	•	•	•
27520E	Push Rod (5/16 in. dia., 18 in. length)	•	•	•	•	•	•	•	•	•	•	•	•	•	•
27520G	Push Rod (5/16 in. dia., 24 in. length)	•	•	•	•	•	•	•	•	•	•	•	•	•	•
27520K	Push Rod (5/16 in. dia., 36 in. length)	•	•	•	•	•	•	•	•	•	•	•	•	•	•
27520L	Push Rod (5/16 in. dia., 48 in. length)	•	•	•	•	•	•	•	•	•	•	•	•	•	•
Crankarms															
205685	Crank Arm Kit													•	
205846	Crank Arm Kit														•
26026G	Damper Crank Arm, 1/2 in. damper shaft	•	•	•	•	•	•	•	•	•	•	•	•	•	•
205830A	Rotary-to-Linear Kit				•	•				•					
205870	Shaft Adapter 1 in. with Crank Arm				•	•									
STRN-CA-01	Non-Self-centering Crank Arm	•													
STRN-CA-02	Self-centering Crank Arm	•													
Shaft Adapters															
205849A	Hub Insert 5/8 in.														•
32003167-001	Shaft Adapter (3/8 in.)									•					
32003168-001	Short Shaft Adapter (3/4-1/2 in.)	•	•	•	•	•	•	•	•	•	•	•	•	•	•
32003168-002	Short Shaft Adapter (5/8-1/2 in.)	•	•	•	•	•	•	•	•	•	•	•	•	•	•
32003168-003	Short Shaft Adapter (9/16-1/2 in.)	•	•	•	•	•	•	•	•	•	•	•	•	•	•
32004254-003	Self Centering Shaft Adapter										•	•			
32004254-002	Self Centering Shaft Adapter		•	•											
32004254-001	Self Centering Shaft Adapter										•		•		
4074EVK	Short Shaft Kit									•					
STRN-SCSA	Self-centering Shaft Adapter	•													
Enclosures															
32003036-001	Weather Enclosure	•	•	•	•	•	•	•	•	•	•	•	•	•	•
50005859-001	NEMA 4 Enclosure	•	•	•	•	•	•	•	•	•	•	•	•	•	•
7640QW	Metal Enclosure									•					
Miscellaneous															
32000085-001	Strain Relief Fitting (10 pack)	•	•	•							•	•	•		
AT120A1004	120 to 24 Vac Transformer (20 VA)	•	•	•	•	•	•	•	•	•	•	•	•	•	•
AT140A1000	120 to 24 Vac Transformer (40 VA)	•	•	•	•	•	•	•	•	•	•	•	•	•	•
STRN-STRNRLF	Strain Relief Fitting (10 pack)	•													

*The MS4105A1002, MS7505A2008, and MS8105A1008 models are no longer available. Please refer to the MSxx03/MSxx05 column and current model numbers.

Table 1. Accessory Details.

OS Number	Description	Used With		Instructions (Form Number)
Control, Positioning, Feedback				
SW2-US	Auxiliary Switch Package (2 adjustable SPDT switches)	MSxx10 and MSxx20, MNxx20 and MNxx34 Series actuators		62-0259
32003532-005	High Temperature Dual Switch Assembly	ML4105, ML8105 ML4115, ML8115 ML4125, ML8125 ML4135, ML8135 MS4209, MS4309 MS4709, MS4809 MS8209, MS8309		62-0212
200976C	Auxiliary Feedback Potentiometer (0 to 2000 ohm)	ML6161, ML6174, ML7161, ML7174		63-2249
200976A	Auxiliary Feedback Potentiometer (0 to 500 ohm)	ML6161, ML6174, ML7161, ML7174		
205860	Electronic Remote Minimum Position Potentiometer	Modulating 0/2-10 Vdc Control Input Actuators		63-2529
32006306-001	Resistor Kit (500 ohm); converts 4-20 mA signal to 2-10 Vdc Bag of six (6)	Modulating 0/2-10 Vdc Control Input Actuators		
Q7002B1009	Universal Interface Module (Enclosed) with adjustable zero and span	All Actuators		63-2551
Mounting				
32007205-001	Direct Coupled Actuator Mounting Bracket	Damper with External Actuator Mounting (i.e., 32007205-005 Kit)		62-0196
32007205-002	Damper Blade Drive Lever (Small)	Dampers less than 24 in. high		62-0196

Table 1. Accessory Details. (Continued)

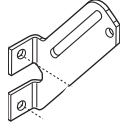




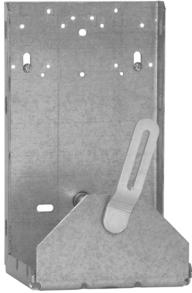



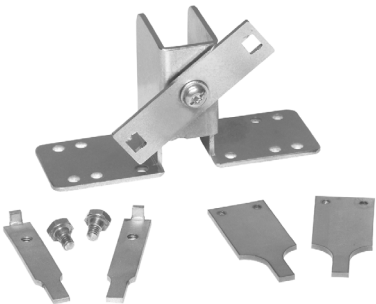
OS Number	Description	Used With		Instructions (Form Number)
32007205-003	Damper Blade Drive Lever (Large)	Dampers greater than 24 in. high		62-0196
32007205-004	Retaining Clip, Damper External Drive Pin	Damper with External Actuator Mounting (i.e., 32007205-005 Kit)		62-0196
32007205-005	Damper External Drive Pin Kit <ul style="list-style-type: none"> • drive pin clip (32007205-004) • shaft extension • mounting bracket 	Damper with External Actuator Mounting (i.e., 32007205-005 Kit)		62-0196
32007205-008	Damper Axle Coupler	D1, D2, D3 Dampers		
32007205-009	Crank Arm (1 in.)	All Actuators and Dampers		
50001194-001	Foot- or Frame-Mounting Kit <ul style="list-style-type: none"> • self-tapping mounting screws (2) • foot mount bracket • bronze bearings (2) • crank arm and drive shaft • shaft collar (balljoints and pushrod sold separately)	MSxx10, MSxx20, MSxx20F, MNxx20, MNxx34 Series Actuators		62-0204
205649	Mounting Bracket	ML41x5F, ML81x5, MSxx09F Actuators		
205784	Mounting Bracket	25 and 53 lb-in. SR Actuators (ML Series)		
50006427-001	Flexible Anti-rotation Bracket	MSxx10, MSxx20, MSxx20F, MNxx20, MNxx34 Series Actuators		
50000407-001	Tandem Mounting Kit <ul style="list-style-type: none"> • bracket • swivel arm, bolt, nut, washer • mounting arms for spring return DCA (2) • anti-rotation bolts (2) • mounting arms for non-spring return DCA (2) 	MSxx10, MSxx20, MSxx20F, MNxx20, MNxx34 Series Actuators		62-0205

Table 1. Accessory Details. (Continued)

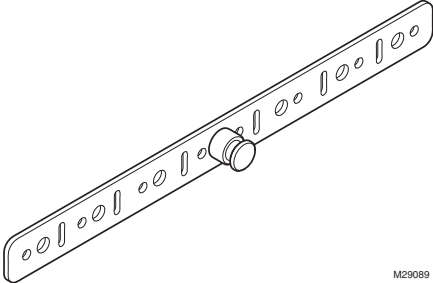
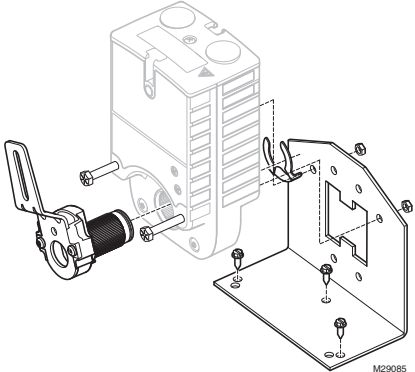
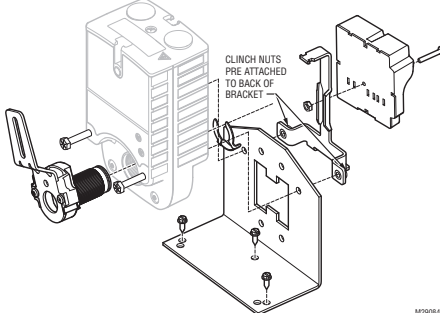
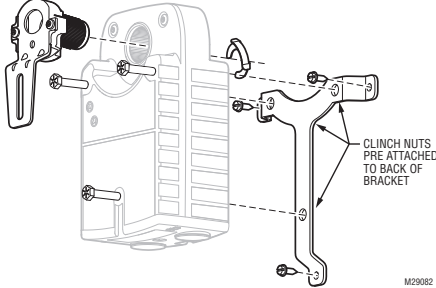


OS Number	Description	Used With		Instructions (Form Number)
STRN-BRKT	Anti-rotation Bracket for MSxx03 and MSxx05 Series Actuators	MSxx03 and MSxx05 Series Actuators	 <p style="text-align: right; font-size: small;">M29089</p>	62-0302
STRN-CRK-01	Crank arm kit for MSxx03 and MSxx05 Series Actuators	MSxx03 and MSxx05 Series Actuators	 <p style="text-align: right; font-size: small;">M29085</p>	62-0302
STRN-ECONO-01	Economizer Retrofit Kit for MSxx03 and MSxx05 Series Actuators	MSxx03 and MSxx05 Series Actuators	 <p style="text-align: right; font-size: small;">M29084</p>	62-0302
STRN-WMK-01	Wall mount kit for MSxx03 and MSxx05 Series Actuators	MSxx03 and MSxx05 Series Actuators	 <p style="text-align: right; font-size: small;">M29082</p>	62-0302
Rotation Limiters, Position Indicators				
4074ENJ	Minimum Position Kit	ML6161, ML6174, ML7161, ML7174		
4074ENY	3/8 in. Shaft Kit	ML6161, ML6174, ML7161, ML7174		

Table 1. Accessory Details. (Continued)




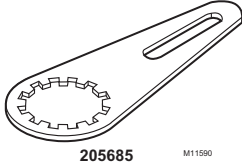



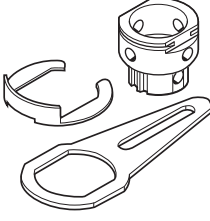
OS Number	Description	Used With		Instructions (Form Number)
Ball Joints, Push Rods				
103598	Ball Joint (1/4 in.)	All Actuators and Dampers		
27518	Ball Joint (5/16 in.)	All Actuators and Dampers		
27520Q	Push Rod (5/16 in. dia., 8 in. length)	All Actuators and Dampers		
27520B	Push Rod (5/16 in. dia., 10 in. length)	All Actuators and Dampers		
27520C	Push Rod (5/16 in. dia., 12 in. length)	All Actuators and Dampers		
27520E	Push Rod (5/16 in. dia., 18 in. length)	All Actuators and Dampers		
27520G	Push Rod (5/16 in. dia., 24 in. length)	All Actuators and Dampers		
27520K	Push Rod (5/16 in. dia., 36 in. length)	All Actuators and Dampers		
27520L	Push Rod (5/16 in. dia., 48 in. length)	All Actuators and Dampers		
Crankarms				
205685	Crank Arm Kit	150 lb-in. NSR Actuators (ML Series)		
205846	Crank Arm Kit	300 lb-in. NSR Actuators (ML Series)		
26026G	Damper Crank Arm, 1/2 in. damper shaft	All Actuators and Dampers		
205830A	Rotary-to-Linear Kit: • crankarm • balljoints (2) • nuts (2)	35 and 70 lb-in. NSR and 25, 44, 53, and 88 lb-in. SR Actuators		63-2501
205870	Shaft Adapter, 1 in. with Crank Arm • hub insert • crankarm • retainer clip • actuator hub	25 and 53 lb-in. SR Actuators (ML Series)		63-2532

Table 1. Accessory Details. (Continued)





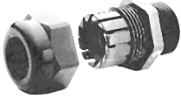

OS Number	Description	Used With		Instructions (Form Number)
STRN-CA-01	Non Self-centering Crank Arm for MSxx03 and MSxx05 Series Actuators	MSxx03 and MSxx05 Series Actuators		62-0302
STRN-CA-02	Self-centering Crank Arm for MSxx03 and MSxx05 Series Actuators	MSxx03 and MSxx05 Series Actuators		62-0302
Shaft Adapters				
205849A	Hub Insert, 5/8 in. (17mm) Round	300 lb-in. NSR Actuators (ML Series)		
32003167-001	3/8 in. Shaft Adapter	ML6161, ML6174, ML7161, ML7174, ML7999		66-1121
32003168-001	Short Shaft Adapter (3/4 in. to 1/2 in.)	All Actuators and Dampers		
32003168-002	Short Shaft Adapter (5/8 in. to 1/2 in.)			
32003168-003	Short Shaft Adapter (9/16 in. to 1/2 in.)			
32004254-003	Self-Centering Shaft Adapter	MNxx34 Series Actuators		
32004254-002	Self-Centering Shaft Adapter	MSxx10, MSxx20 Series Actuators		
32004254-001	Self-Centering Shaft Adapter	MNxx20 Series Actuators		
4074EVK	Short Shaft Kit	ML6161, ML7161, ML6174, ML7174		
STRN-SCSA	Self-centering Shaft Adapter for MSxx03 and MSxx05 Series Actuators	MSxx03 and MSxx05 Series Actuators		62-0302

Table 1. Accessory Details. (Continued)

OS Number	Description	Used With		Instructions (Form Number)
Enclosures				
32003036-001	Weather Enclosure <ul style="list-style-type: none"> • enclosure • gasket • dome plug (2) • pan-head screw (10) 	All Actuators		62-0164
50005859-001	NEMA 4 Enclosure	MS and MN Series; MLxx61 and MLxx74 Series Actuators		
7640QW	Enclosure for Conduit Connection	ML6161, ML6174, ML7161, ML7174		63-2252
Miscellaneous				
32000085-001	Strain Relief Fitting (10 pack)	MS and MN Series Actuators		
AT120A1004	120 to 24 Vac Transformer (20 VA)	All Actuators		68-0054
AT140A1000	120 to 24 Vac Transformer (40 VA)			
STRN-STRNRLF	Strain Relief Fitting for MSxx03 and MSxx05 Series Actuators	MSxx03 and MSxx05 Series Actuators		62-0302

By using this Honeywell literature, you agree that Honeywell will have no liability for any damages arising out of your use or modification to, the literature. You will defend and indemnify Honeywell, its affiliates and subsidiaries, from and against any liability, cost, or damages, including attorneys' fees, arising out of, or resulting from, any modification to the literature by you.

Automation and Control Solutions

Honeywell International Inc.
 1985 Douglas Drive North
 Golden Valley, MN 55422
 customer.honeywell.com



© U.S. Registered Trademark
 © 2013 Honeywell International Inc.
 63-2620—01 M.S. Rev. 01-13
 Printed in United States