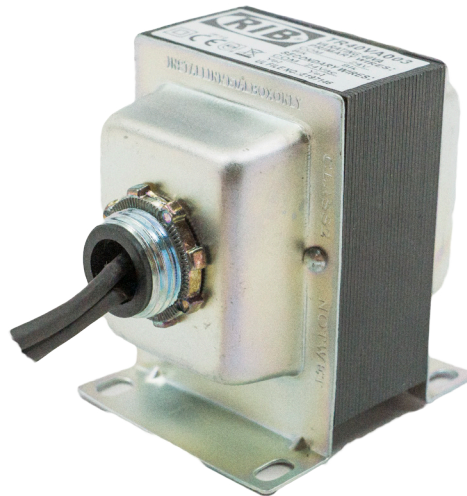
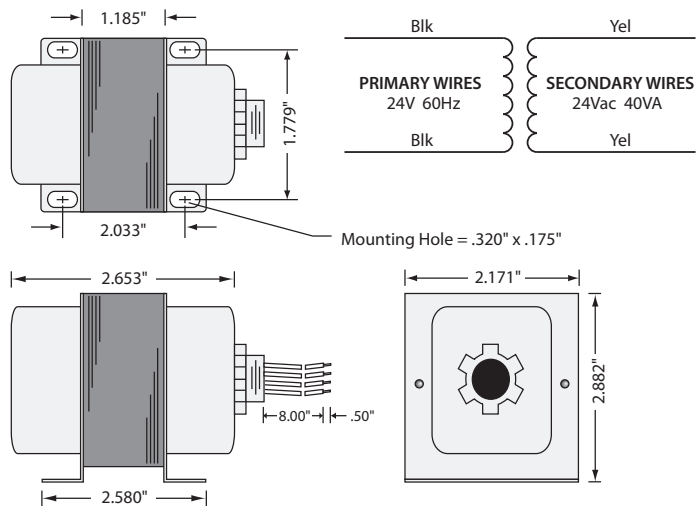


TR40VA003

Transformer 40 VA, 24 to 24 Vac, Foot and Single Threaded Hub Mount



SPECIFICATIONS

- VA Rating:** 40
- Frequency:** 50/60 Hz
- Mounting:** Foot & Single Threaded Hub
- Over Current Protection:** Inherently Limited
- Dimensions:** 2.653" x 2.171" x 2.882" (w/ .500" NPT Hub)
- Wire Length:** 8" Typical w/ .5" Strip
- Operating Temperature:** -30 to 140° F
 - MTBF: 100,000 Hours @ 77° F
- Construction:** Split-Bobbin
- Weight:** 2.00 lbs.
- Approvals:** UL5085-3 Listed Class 2, C-UL, CE, RoHS