

HP970/TP970 ASPIRATING WALL BOX

Service Data

GENERAL

The 14002424 Aspirating Wall Box is a flush-mounted, insulated enclosure provided with the necessary fittings to install a TP970 thermostat or an HP970 humidistat.

Accurate response to changes in room temperature is obtained by aspirating room air through wall box over the sensing element.

SPECIFICATIONS

SUPPLY AIR PRESSURE: 18 psi (124 kPa)

AIR CONSUMPTION: 0.024 SCFM at 18 psi (124 kPa)

APPLICATION

The aspirating wall box is used to recess a pneumatic thermostat or humidistat into wall construction either for appearance or for protection.

OPERATION

The aspirator bleeds a small amount of supply air to cause an air movement which draws in room air through the box and over the sensing element of the stat.

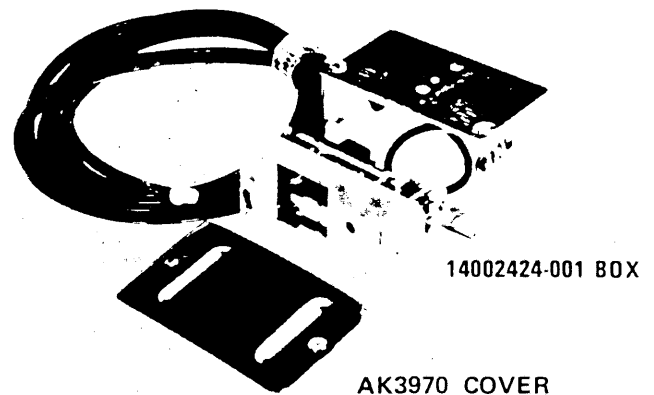
MAINTENANCE

Clean cover with stainless steel cleaner. Do not allow spray or any material to enter cover slots. Use low pressure air to clean dust from in and around the wall box.

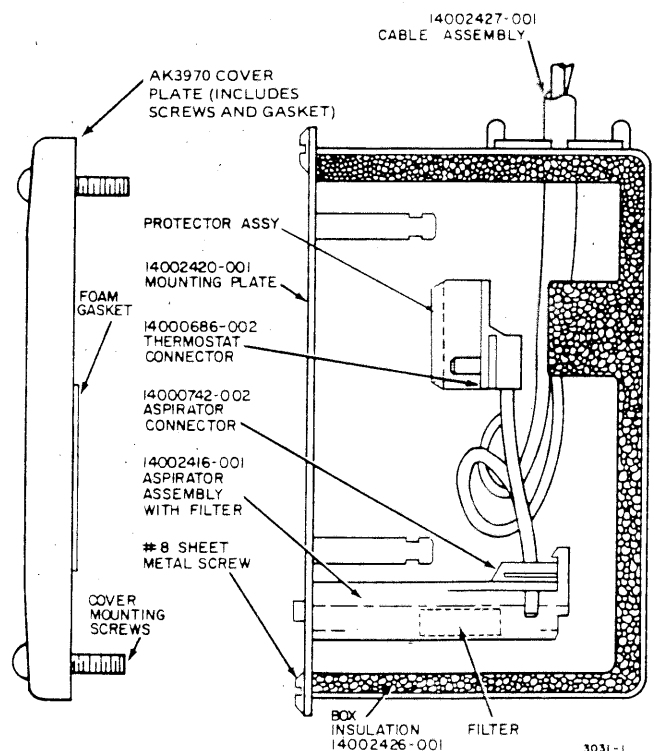
TROUBLESHOOTING AND REPAIR

If the reaction to space temperature changes becomes slow, it may be caused by insufficient aspirator air flow. Be sure nothing is blocking the louvers in the cover plate. The cover must be mounted so the cutout in the foam gasket is over the air cutout in the mounting plate so that air can flow through the cover louvers. Remove the mounting plate and examine the filter. If aspirator air flow is insufficient or if the filter appears dark or yellowed, replace the aspirator assembly, Part Number 14002416-001, which includes the filter, restrictor, and "O" rings.

Rev. 10-82



PARTS LIST



Mechanical devices must be serviced periodically if they are expected to give continued satisfactory performance, and controls are not an exception. How accurate and how troublefree your control system will be in the years to come depends largely on the maintenance given it. For best results, all devices in your system should be serviced at one time.

Time and trouble can be saved by arranging with Honeywell for a maintenance agreement which will guarantee expert, economical care, and insure maximum life and efficiency from your system.

ORDERING INFORMATION FOR HONEYWELL PARTS AND ASSEMBLIES

Contact your local Honeywell branch office for handling of repairs, pricing information and assistance. When ordering repair parts, please furnish the Part Number and Description of parts required. Also, provide the complete Order Specification Number of the device in which the parts are to be used.

SALES and SERVICE from Coast to Coast . . .

ALABAMA Birmingham, AL (202) 323-2431 Mobile, AL (205) 479-8572	Orlando, FL (305) 894-3131	MARYLAND Baltimore, MD (301) 828-0900	NEW YORK Albany, NY (518) 456-7000 Amherst (Buffalo), NY (716) 835-2770 Long Island City, NY (212) 392-4300 Plainview Long Island, NY (516) 931-1500 Rochester, NY (716) 461-1600 Liverpool (Syacuse), NY (315) 451-4000	OKLAHOMA Oklahoma City, OK (405) 848-2811	Houston, TX (713) 785-3200 Lubbock, TX (806) 762-0486 San Antonio, TX (512) 341-4691
ALASKA Anchorage, AK 907) 344-0522	GEORGIA Atlanta, GA (404) 321-2000	MASSACHUSETTS Boston, MA (617) 782-3100	MICHIGAN Farmington Hills (Detroit), MI (313) 478-1600 Grand Rapids, MI (616) 451-0621 Saginaw, MI (517) 792-8707	OREGON Portland, OR (503) 235-8411	UTAH Salt Lake City, UT (801) 487-0681
ARIZONA Phoenix, AZ (602) 993-6000	HAWAII Honolulu, HI (808) 537-5514	MINNESOTA Edina (Minneapolis), MN (612) 830-3500	NORTH CAROLINA Charlotte, NC (704) 364-4770 Greensboro, NC (919) 294-3280	PENNSYLVANIA Harrisburg (717) 564-8000 Philadelphia, PA (215) 226-2400 Pittsburgh, PA (412) 922-4422 Wilkes-Barre, PA (717) 654-2477	VIRGINIA McLean (Washington, DC), VA (703) 790-3000 Norfolk, VA (804) 461-0200 Richmond, VA (804) 285-8211 Roanoke, VA (703) 345-7361
CALIFORNIA Los Angeles, CA 213) 726-6000 Sacramento, CA 916) 485-2221 San Diego, CA 714) 292-5311 San Francisco, CA 415) 957-2500	ILLINOIS Lincolnwood (Chicago), IL (312) 478-9266 Lansing, IL (312) 474-9300 Peoria, IL (309) 692-0610	MISSOURI Kansas City, MO (816) 358-4200	NORTH DAKOTA Fargo, ND (701) 235-4221	RHODE ISLAND East Providence, RI (401) 438-6000	WASHINGTON Seattle, WA (206) 233-2000 Spokane, WA (509) 328-4250
COLORADO Englewood (Denver), CO (303) 771-2340	INDIANA Ft. Wayne, IN (219) 423-9473 Indianapolis, IN (317) 243-0831	MONTANA Missoula, MT (406) 728-7442	OHIO Akron, OH (216) 733-2244 Cincinnati, OH (513) 948-4100 Cleveland, OH (216) 881-0300 Columbus, OH (614) 486-5971 Dayton, OH (513) 461-4480 Toledo, OH (419) 473-9721	SOUTH CAROLINA Columbia, SC (803) 779-3240 Greenville, SC (803) 288-1821	WISCONSIN Appleton, WI (414) 733-4491 Madison, WI (608) 274-1340 Milwaukee, WI (414) 771-6300
CONNECTICUT Hartford, CT (203) 549-3800	IOWA Des Moines, IA (515) 288-3601	NEBRASKA Omaha, NB (402) 393-8300	NEW JERSEY Westfield, NJ (201) 233-9200	SOUTH DAKOTA Sioux Falls, SD (605) 336-0986	TEXAS Dallas, TX (214) 661-5459
DELAWARE Wilmington, DE (302) 762-3100	KENTUCKY Louisville, KY (502) 459-5970	NEW MEXICO Albuquerque, NM (505) 345-1656		TENNESSEE Memphis, TN (901) 396-6222 Nashville, TN (615) 385-3400	PUERTO RICO San Juan (809) 763-4090
FLORIDA Jacksonville, FL (904) 396-6971 Miami, FL (305) 592-8140	LOUISIANA Metairie (New Orleans), LA (504) 833-7241				
	MAINE Portland, ME (207) 775-3501				

. . . and across Canada: HONEYWELL CONTROLS LIMITED

Head Office & Factory: 740 Ellesmere Road, Scarborough, Ontario

. . . and around the World: HONEYWELL INTERNATIONAL

General Offices: Minneapolis, Minn. 55408

DISTRIBUTORS

ALGERIA	CURACAO	GUAM	KUWAIT	PARAGUAY	TAIWAN
ARGENTINA	DENMARK	GUATEMALA	LEBANON	PERU	THAILAND
ARUBA	ECUADOR	HONG KONG	MALAYSIA	PHILIPPINE ISLANDS	TRINIDAD B.W.I.
AUSTRALIA	EGYPT	ICELAND	MEXICO	PORTUGAL	TUNISIA
AUSTRIA	EL SALVADOR	INDIA	MOROCCO	SANTO DOMINGO	TURKEY
BELGIUM	FIJI	INDONESIA	NETHERLANDS	SINGAPORE	URUGUAY
BOLIVIA	FINLAND	IRAN	NEW ZEALAND	SOUTH AFRICA	VENEZUELA
BRAZIL	FRANCE	ITALY	NORWAY	SPAIN	VIETNAM
CHILE	GERMANY	JAPAN	PAKISTAN	SWEDEN	YUGOSLAVIA
COLOMBIA	GREAT BRITAIN	KOREA	PANAMA	SWITZERLAND	
COSTA RICA	GREECE				

HONEYWELL • Minneapolis, Minnesota 55408 • Scarborough, Ontario • Subsidiaries and Affiliates Around the World • Printed in U.S.A.

By using this Honeywell literature, you agree that Honeywell will have no liability for any damages arising out of your use or modification to, the literature. You will defend and indemnify Honeywell, its affiliates and subsidiaries, from and against any liability, cost, or damages, including attorneys' fees, arising out of, or resulting from, any modification to the literature by you.