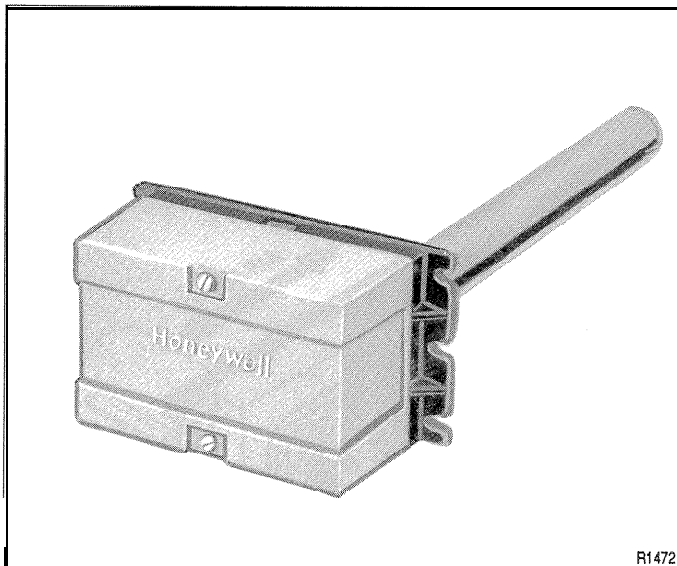


HP970 and TP970 Duct Sampling Chamber (14002362-001)

Installation Instructions



Before Installation

The shipping carton contains completely assembled Duct Sampling Chamber mounting screw bag assembly, and the mounting template.

There is also a bag assembly inside the duct Sampling Chamber cover. This bag assembly contains a cable retainer, a Tinnerman nut, and two thermostat backplate mounting

screws. The cable retainer (Fig. 3) is used as a spacer between the stat backplate and the Sampling Chamber base. If the 96-inch Cable Assembly 14001616 is used, discard the cable retainer that is shipped with the Duct Sampling Chamber.

For negative static application, seal Sampling Chamber with 14002891-001 Bag Assembly (Fig. 4).

Installation

Mount Duct Sampling Chamber

1. Remove the protective paper backing from the template and affix to the desired location. BE CERTAIN TO OBSERVE THE AIR FLOW DIRECTION ARROWS. Duct air must flow directly into insertion tube slot.
2. Punch or drill the holes for No. 8 sheet metal screws (not included). See Figure 1.
3. Center punch for the 1-1/2 inch hole saw or other hole cutting means.
4. Create the 1-1/2 inch hole for the sampling tube.
5. Remove the cover of the Duct Sampling Chamber.
6. Insert the sampling tube into the duct through the 1-1/2 inch hole and mount the chamber base to the duct with No. 8 screws.

AT THIS POINT IN THE INSTALLATION PROCEDURE YOU HAVE ONLY TO RUN TUBING TO AND FROM THE SAMPLING CHAMBER AND ROUGH-IN IS COMPLETE. LOOP THE TUBING IF TESTING IS REQUIRED (see Fig. 2). ALLOW ENOUGH TUBING AT THE CHAMBER TO

MAKE CONNECTIONS TO A THERMOSTAT OR HUMIDISTAT BACKPLATE.

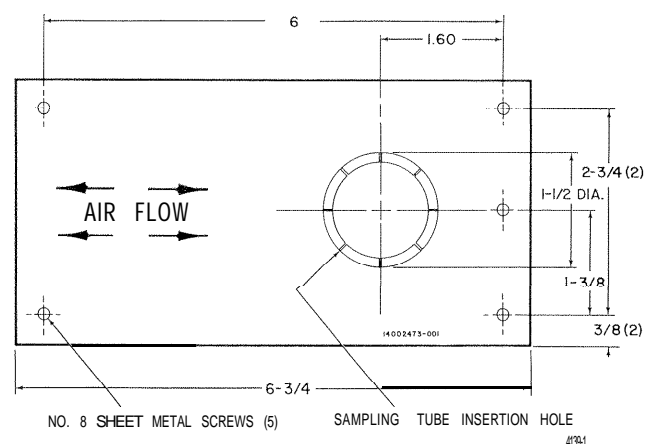


Fig. 1. Mounting Template.

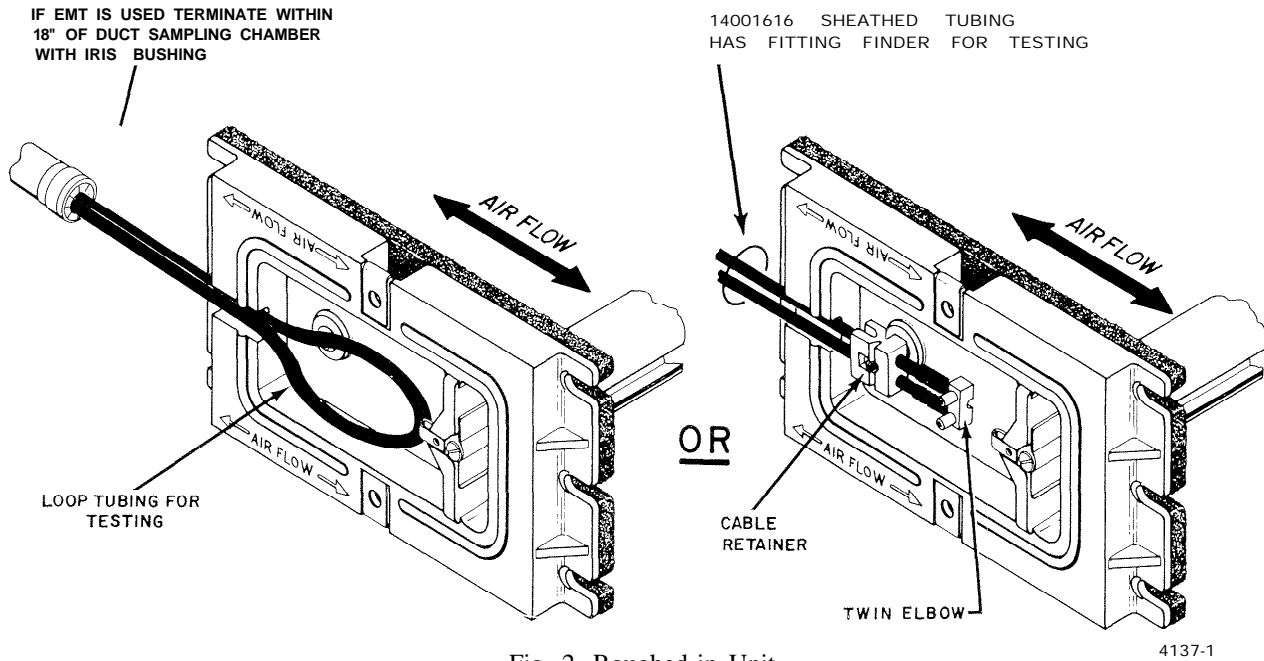


Fig. 2. Roughed-in Unit.

Mount Stat Head Using Individual 5/32 Poly Tubes

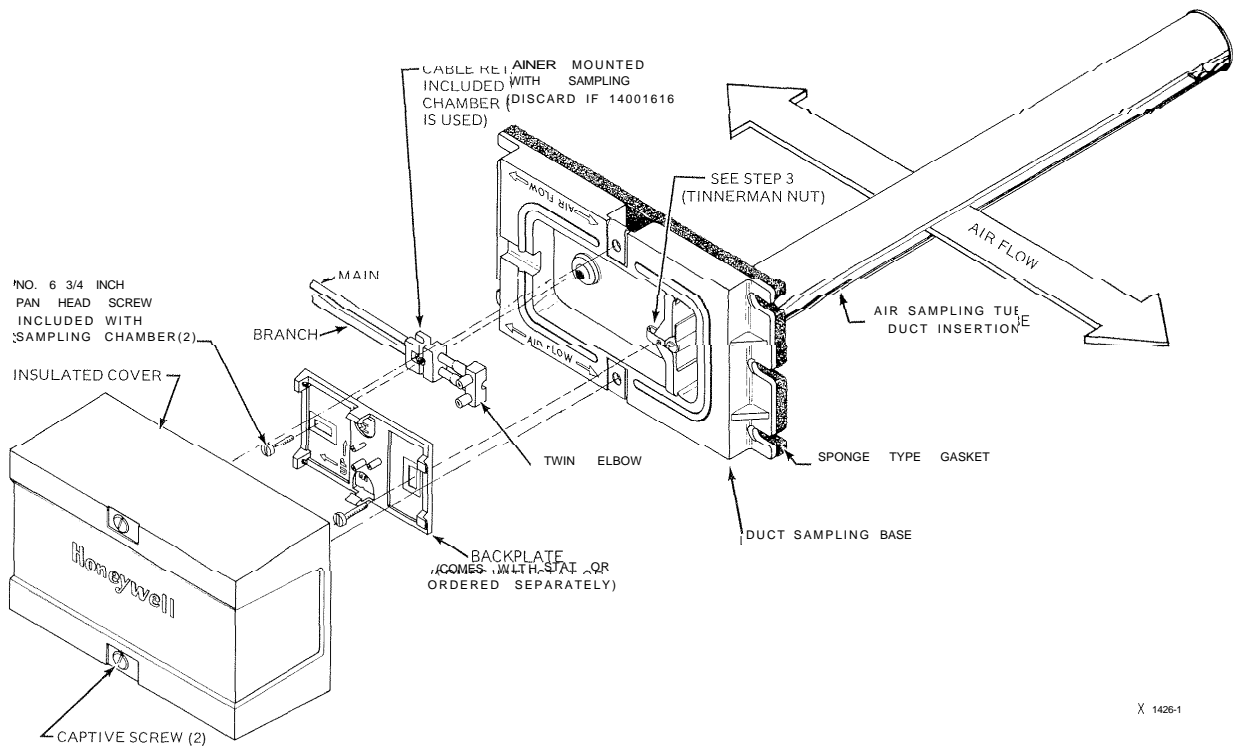
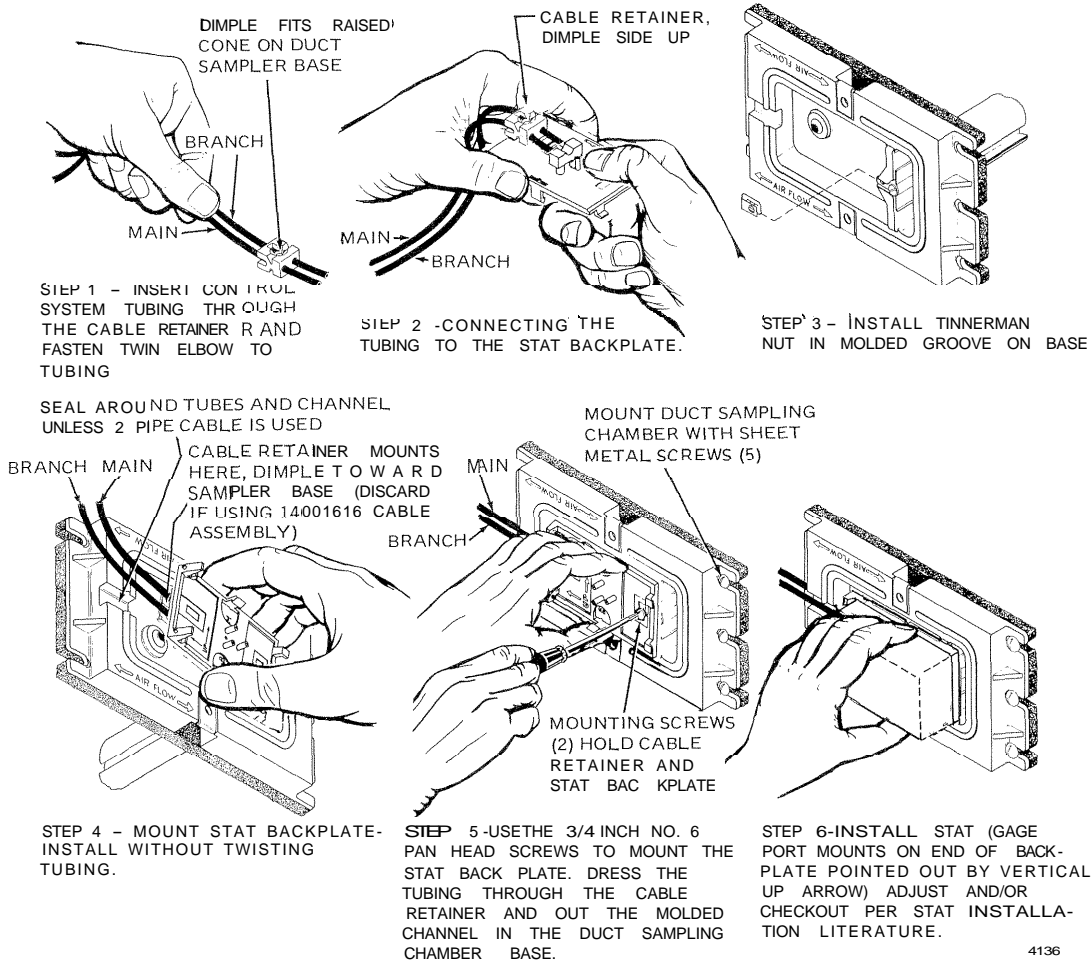


Fig. 3. Duct Sampling Chamber Ready to Receive Thermostat or Humidistat.



For Negative Static Applications

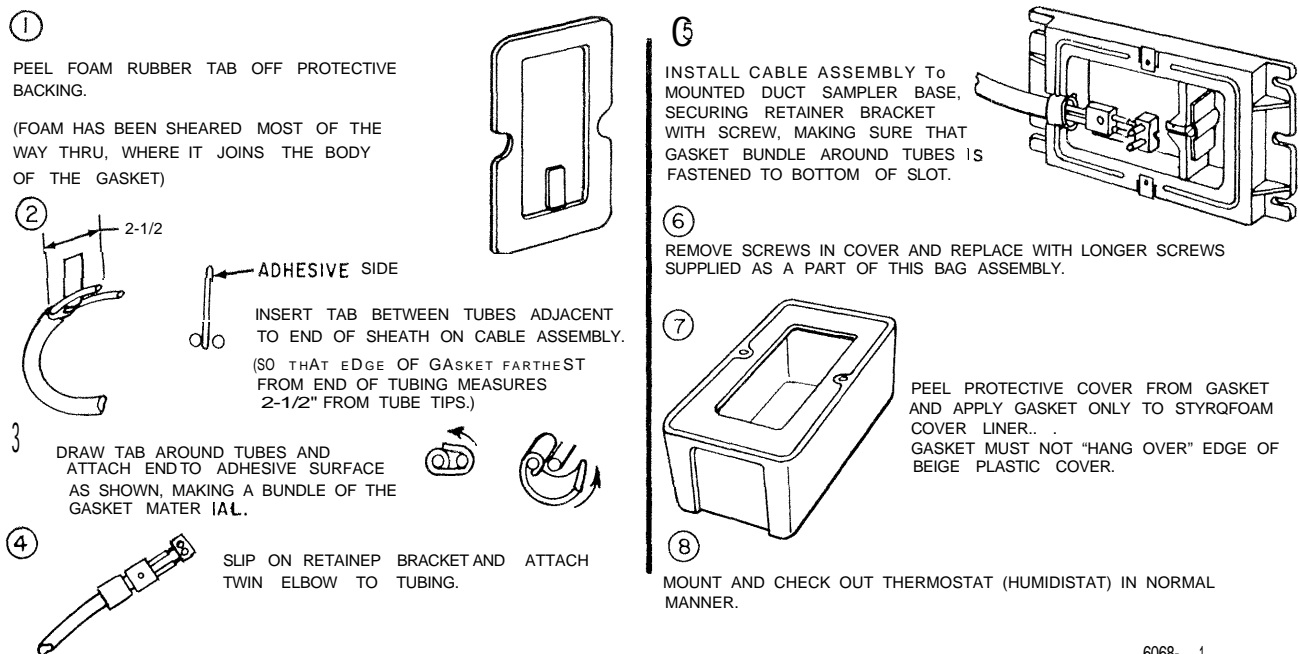


Fig. 4. Installation of 14002891-001 Bag Assembly.

By using this Honeywell literature, you agree that Honeywell will have no liability for any damages arising out of your use or modification to, the literature. You will defend and indemnify Honeywell, its affiliates and subsidiaries, from and against any liability, cost, or damages, including attorneys' fees, arising out of, or resulting from, any modification to the literature by you.

Honeywell

Commercial Buildings Group
Honeywell Inc.
Honeywell Plaza
P.O. Box 524
Minneapolis, MN 55408-0524

Commercial Buildings Group
Honeywell Limited-Honeywell Limitée
740 Ellesmere Road
Scarborough, Ontario
M1P 2V9

Helping You Control Your World