

POWER SUPPLIES



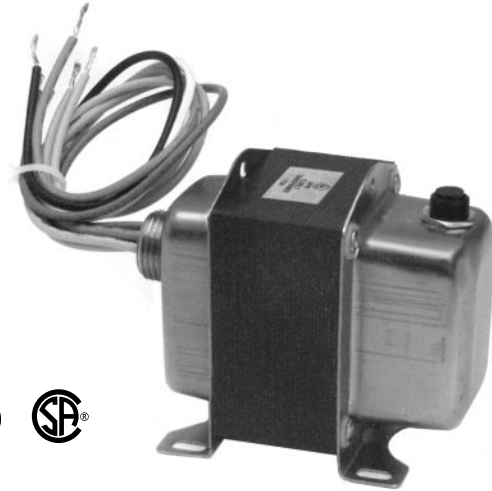
CONTROL TRANSFORMERS / MANUAL RESET MODELS AT150F / AT175F

DESCRIPTION

These transformers provide power to 24 VAC circuits in heating/cooling systems. Although the transformers are typically used in heating/cooling systems, they can be used in any application that does not exceed the load ratings. They include a button for manually resetting the circuit breaker. They meet National Electric Code Class 2 “not wet” and Class 3 “wet” requirements and are Underwriters Laboratories (UL) Inc. listed under UL1585. Transformers can be foot-mounted or hub mounted.

FEATURES

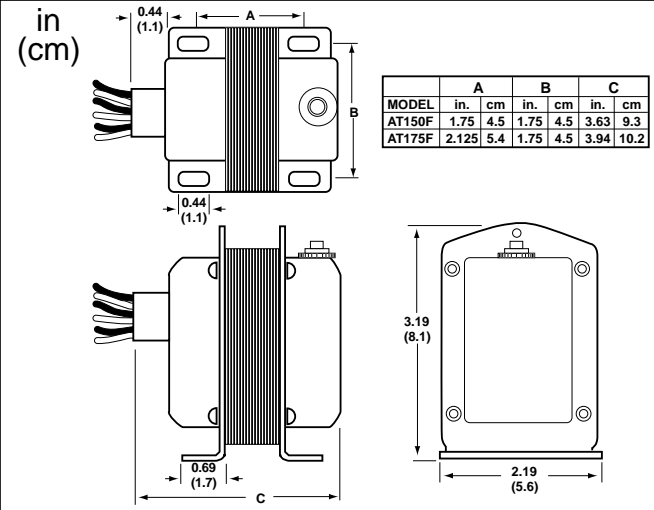
- **Multi-tap primary connections**
- **Color coded lead wires**
- **Manually resettable circuit breaker**
- **Meets NEC Class 2 “not wet”, Class 3 “wet” transformer requirements**



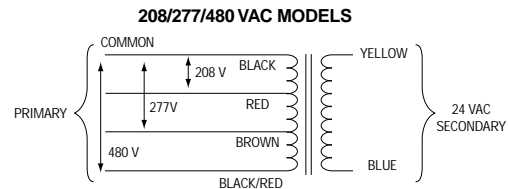
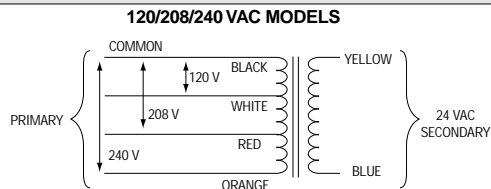
SPECIFICATIONS

Primary	120/208/240 VAC or 208/277/480 VAC
Secondary	24 VAC
Frequency	60 Hz
VA rating	AT150F 50 VA AT175F 75 VA
Mounting	Foot or hub mount
Conduit connection	1/2" male NPT
Lead wires	9", color coded
Weight	3 lbs (1.36 kg)
Approvals	UL listed file #14881 CSA approved file #LR95329
Class	NEC Class 2 “not wet”, Class 3 “wet”

DIMENSIONS



WIRING



ORDERING INFORMATION

MODEL	DESCRIPTION
AT150F1022	Control Transformer, 120/208/240 VAC : 24 VAC, 50 VA, w/breaker
AT150F1030	Control Transformer, 208/277/480 VAC : 24 VAC, 50 VA, w/breaker
AT175F1023	Control Transformer, 120/208/240 VAC : 24 VAC, 75 VA, w/breaker
AT175F1031	Control Transformer, 208/277/480 VAC : 24 VAC, 75 VA, w/breaker